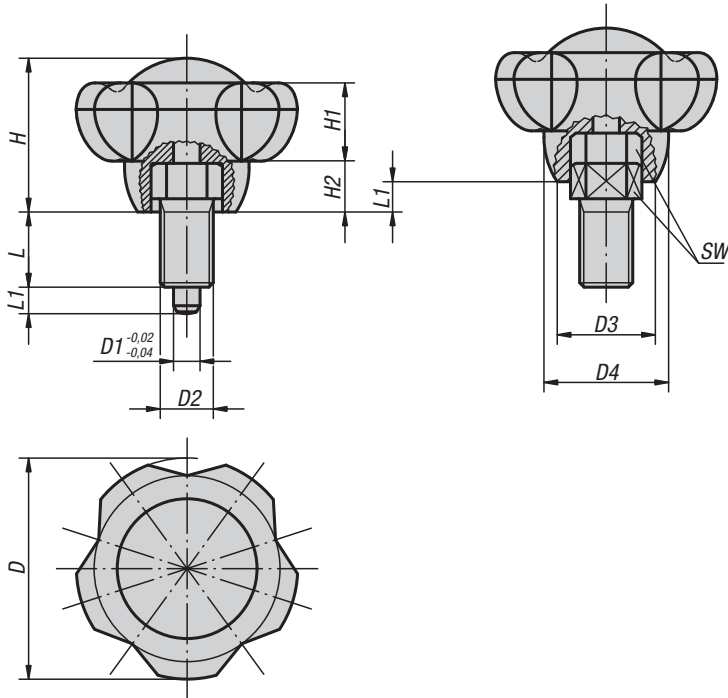


## Indexing Plungers

lock and clamp



INCH Parts METRIC Parts



The Novo-Grip indexing and clamp grip makes it possible: indexing and clamping with one single product. The telescopic adjustments can be positioned and clamped quickly, precisely and simply.

**Material:**

Knob, thermoplastic  
Indexing pin and threaded bolt steel 5.8.

**Type:**

Grip black gray.  
Indexing pin and threaded bolt black oxide finish.  
Indexing pin hardened and ground.

**Part Number Example:**

K0245.1105AL6 (grip cap color traffic red)

**Note:**

Δ Add the desired grip cap color here; no color code is required with black gray grip caps.



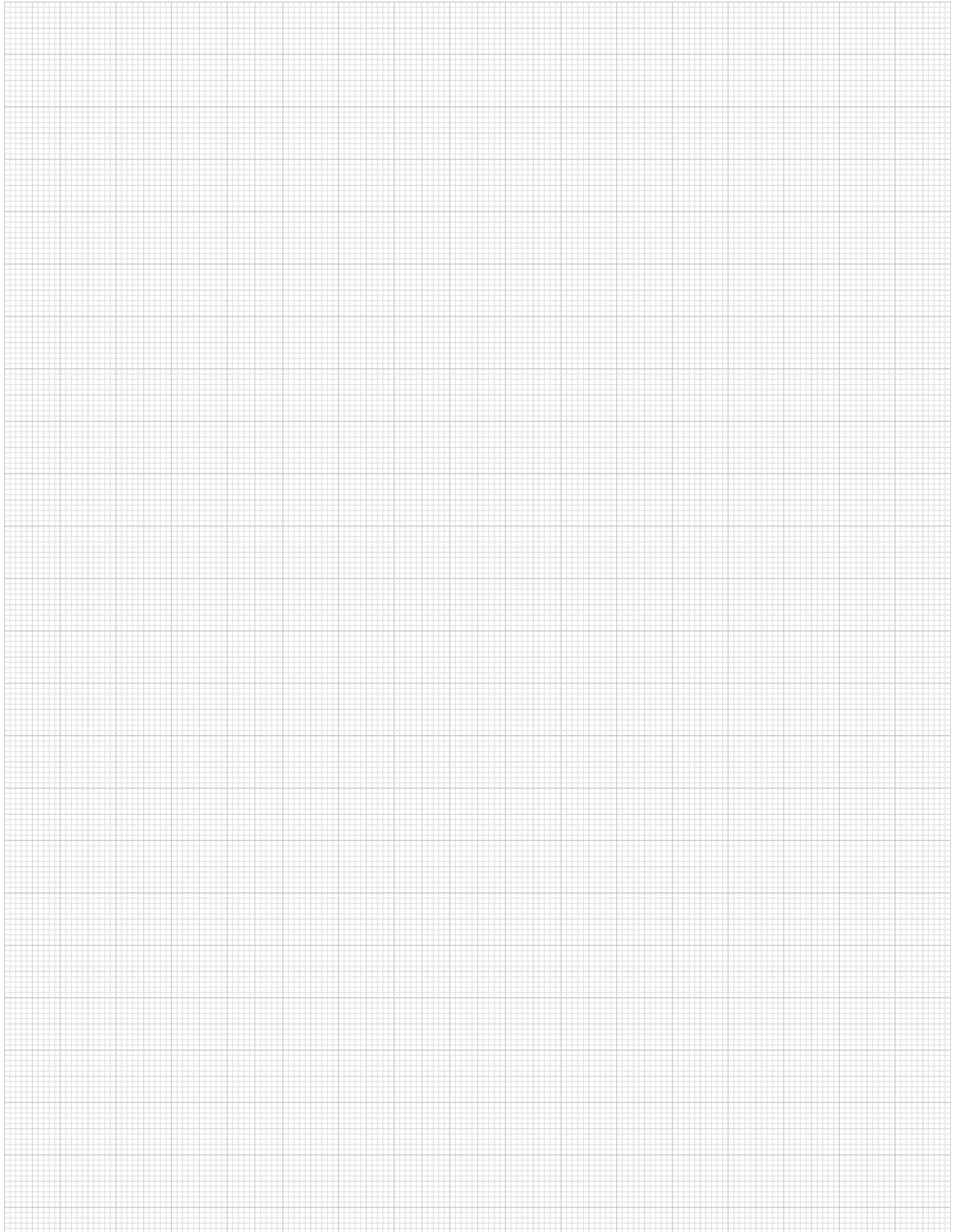
### KIPP Indexing Plungers, inch

Item No.	Size	D	D1	D2	D3	D4	H	H1	H2	L	L1	SW
K0245.1105ALΔ	1	50	5	3/8-24	22.2	28.2	34.8	17.8	11.5	13	5	13
K0245.1206A5Δ	2	50	6	1/2-13	22.2	28.2	34.8	17.8	11.5	17	6	14
K0245.1308A6Δ	3	63	8	5/8-11	28	35.5	44	22.5	14.5	22	8	19
K0245.1410A7Δ	4	63	10	3/4-10	28	35.5	44	22.5	14.5	24	10	22

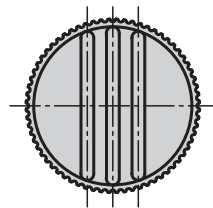
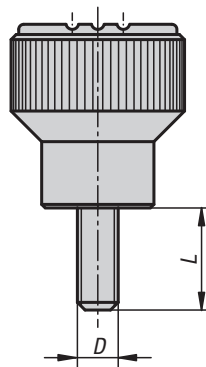
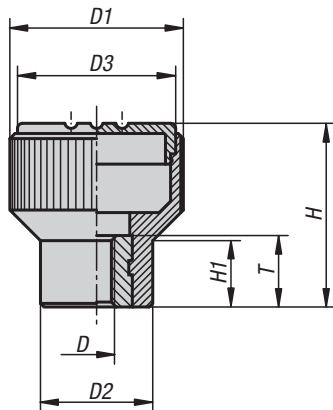
### KIPP Indexing Plungers, metric

Item No.	Size	D	D1	D2	D3	D4	H	H1	H2	L	L1	SW
K0245.1105Δ	1	50	5	M10x1	22,2	28,2	34,8	17,8	11,5	13	5	13
K0245.1206Δ	2	50	6	M12x1,5	22,2	28,2	34,8	17,8	11,5	17	6	14
K0245.1308Δ	3	63	8	M16x1,5	28	35,5	44	22,5	14,5	22	8	19
K0245.1410Δ	4	63	10	M20x1,5	28	35,5	44	22,5	14,5	24	10	22

Notes:



## Knurled Knobs

INCH  
PartsMETRIC  
Parts

The advanced engineering and design of Novo-Grip Knurled Knobs offer significant product advantages: High ergonomic functionality, firm, safe gripping and eye appealing design makes these Knurled Knobs ideal for any application.

**Material:**

Thermoplastic, black gray.  
Bushing and threaded pin steel 5.8  
or stainless steel 1.4305.

**Type:**

Steel blue chromate or  
stainless steel natural finish.

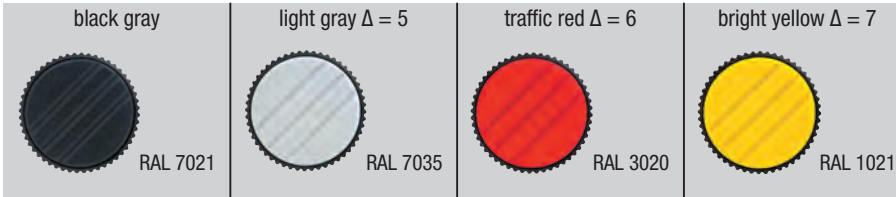
**Part Number Example:**

K0247.1A16X20  
(Cap color traffic red. Include length L)

**Note:**

Δ Add the desired cap color here. No color code is  
required for black gray caps.

## Knurled Knobs



## KIPP Knurled Knobs, internal thread, inch

Item No. bushing steel	Item No. bushing stainless steel	Size	D	D1	D2	D3	H	H1	T
K0247.1AEΔ	K0247.01AEΔ	1	8-32	21	14	19	22	8	10
K0247.1A1Δ	K0247.01A1Δ	1	10-32	21	14	19	22	8	10
K0247.1A2Δ	K0247.01A2Δ	1	1/4-20	21	14	19	22	8	10
K0247.2A3Δ	K0247.02A3Δ	2	5/16-18	26	18	23	26	9.5	14
K0247.3A3Δ	K0247.03A3Δ	3	5/16-18	34	22	31	36	13	14
K0247.3A4Δ	K0247.03A4Δ	3	3/8-16	34	22	31	36	13	14

## KIPP Knurled Knobs, external thread, inch

Item No. bolt steel	Item No. bolt stainless steel	Size	D	D1	D2	D3	H	H1	L
K0247.1A1ΔX	K0247.01A1ΔX	1	10-32	21	14	19	22	8	10/20
K0247.1A2ΔX	K0247.01A2ΔX	1	1/4-20	21	14	19	22	8	20/30
K0247.2A3ΔX	K0247.02A3ΔX	2	5/16-18	26	18	23	26	9.5	20/40
K0247.3A4ΔX	K0247.03A4ΔX	3	3/8-16	34	22	31	36	13	20/40

## KIPP Knurled Knobs, internal thread, metric

Item No. bushing steel	Item No. bushing stainless steel	Size	D	D1	D2	D3	H	H1	T
K0247.104Δ	K0247.0104Δ	1	M4	21	14	19	22	8	10
K0247.105Δ	K0247.0105Δ	1	M5	21	14	19	22	8	10
K0247.106Δ	K0247.0106Δ	1	M6	21	14	19	22	8	10
K0247.208Δ	K0247.0208Δ	2	M8	26	18	23	26	9.5	14
K0247.308Δ	K0247.0308Δ	3	M8	34	22	31	36	13	14
K0247.310Δ	K0247.0310Δ	3	M10	34	22	31	36	13	14

## KIPP Knurled Knobs, external thread, metric

Item No. bolt steel	Item No. bolt stainless steel	Size	D	D1	D2	D3	H	H1	L
K0247.105ΔX	K0247.0105ΔX	1	M5	21	14	19	22	8	10/12/15/20/25
K0247.106ΔX	K0247.0106ΔX	1	M6	21	14	19	22	8	15/20/25/30
K0247.208ΔX	K0247.0208ΔX	2	M8	26	18	23	26	9.5	20/25/30/40
K0247.310ΔX	K0247.0310ΔX	3	M10	34	22	31	36	13	20/30/40

## Knurled Wheels

internal components steel



INCH  
Parts



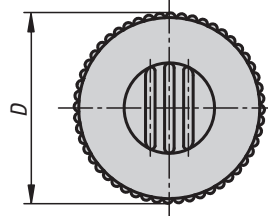
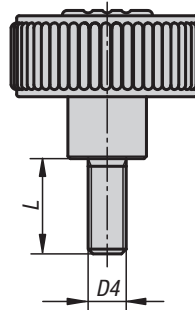
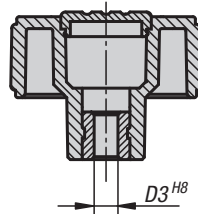
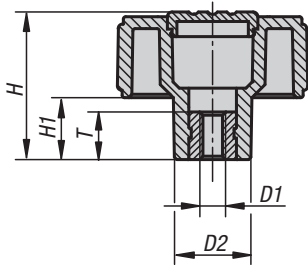
Style D  
tapped through hole  
without cap

Style E  
reamed through hole  
without cap

Style K  
tapped through hole  
with cap

Style H  
reamed through hole  
with cap

Style L  
with external thread



**Novo-Grip Knurled Wheels** are ergonomic, eye appealing, durable and offer a firm and safe grip. Ideal for all applications. Strength and durability are guaranteed with Novo-Grip Knurled Wheels.

**Material:**

Thermoplastic, bushing and threaded bolt in steel quality class 5.8.

**Type:**

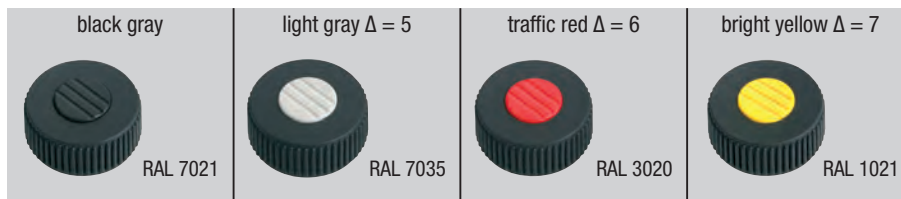
Steel blue chromate.

**Part Number Example:**

K0260.41067 (wheel cap color bright yellow)

**Note:**

Δ Add the desired wheel cap color here; no color code is required with black gray wheel caps



### KIPP Knurled Wheels, internal thread, inch

Item No.	Style	Version	Size	D	D1	D2	H	H1	T
K0260.11A1	D	bushing steel	1	40	10-32	16.5	31	13	10
K0260.11A2	D	bushing steel	1	40	1/4-20	16.5	31	13	10
K0260.11A3	D	bushing steel	1	40	5/16-18	16.5	31	13	14
K0260.12A3	D	bushing steel	2	50	5/16-18	18	36	15	14
K0260.12A4	D	bushing steel	2	50	3/8-16	18	36	15	14
K0260.13A4	D	bushing steel	3	63	3/8-16	22	41	17	14
K0260.13A5	D	bushing steel	3	63	1/2-13	22	41	17	18

# Knurled Wheels

internal components steel



## KIPP Knurled Wheels, internal thread, inch

Item No.	Style	Version	Size	D	D1	D2	H	H1	T
K0260.21A1Δ	K	bushing steel	1	40	10-32	16.5	31	13	10
K0260.21A2Δ	K	bushing steel	1	40	1/4-20	16.5	31	13	10
K0260.21A3Δ	K	bushing steel	1	40	5/16-18	16.5	31	13	14
K0260.22A3Δ	K	bushing steel	2	50	5/16-18	18	36	15	14
K0260.22A4Δ	K	bushing steel	2	50	3/8-16	18	36	15	14
K0260.23A4Δ	K	bushing steel	3	63	3/8-16	22	41	17	14
K0260.23A5Δ	K	bushing steel	3	63	1/2-13	22	41	17	18

## KIPP Knurled Wheels, with bushing, inch

Item No.	Style	Version	Size	D	D2	D3	H	H1	T
K0260.31CM	E	bushing steel	1	40	16.5	.250	31	13	10
K0260.32CN	E	bushing steel	2	50	18	.312	36	15	14
K0260.33CO	E	bushing steel	3	63	22	.375	41	17	14

## KIPP Knurled Wheels, with bushing, inch

Item No.	Style	Version	Size	D	D2	D3	H	H1	T
K0260.41CMA	H	bushing steel	1	40	16.5	.250	31	13	10
K0260.42CNA	H	bushing steel	2	50	18	.312	36	15	14
K0260.43COΔ	H	bushing steel	3	63	22	.375	41	17	14

## KIPP Knurled Wheels, external thread, inch

Item No.	Style	Version	Size	D	D2	D4	H	H1	L
K0260.51A1ΔX	L	bolt steel	1	40	16.5	10-32	31	13	10/20
K0260.51A2ΔX	L	bolt steel	1	40	16.5	1/4-20	31	13	20/30
K0260.51A3ΔX	L	bolt steel	1	40	16.5	5/16-18	31	13	20/40
K0260.52A3ΔX	L	bolt steel	2	50	18	5/16-18	36	15	20/40
K0260.52A4ΔX	L	bolt steel	2	50	18	3/8-16	36	15	20/40
K0260.53A4ΔX	L	bolt steel	3	63	22	3/8-16	41	17	20/40
K0260.53A5ΔX	L	bolt steel	3	63	22	1/2-13	41	17	30/60

## Knurled Wheels

internal components steel



METRIC  
Parts



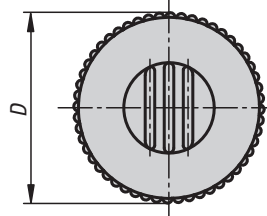
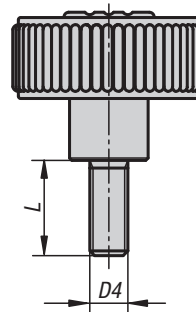
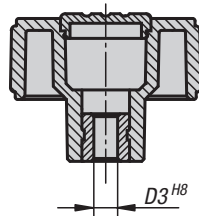
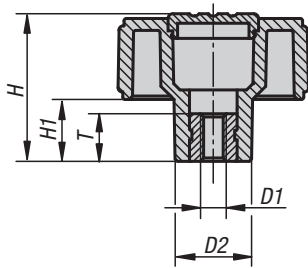
Style D  
tapped through hole  
without cap

Style K  
tapped through hole  
with cap

Style E  
reamed through hole  
without cap

Style H  
reamed through hole  
with cap

Style L  
with external thread



**Novo-Grip Knurled Wheels** are ergonomic, eye appealing, durable and offer a firm and safe grip. Ideal for all applications. Strength and durability are guaranteed with Novo-Grip Knurled Wheels.

**Material:**

Thermoplastic, bushing and threaded bolt in steel quality class 5.8.

**Type:**

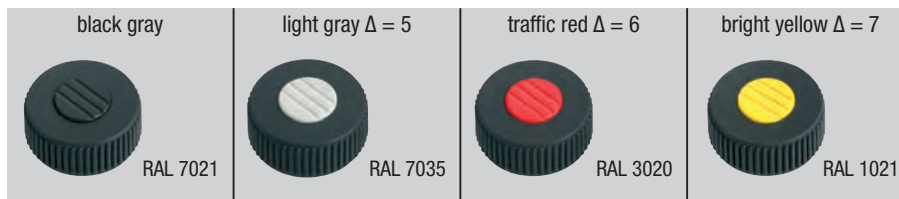
Steel blue chromate.

**Part Number Example:**

K0260.41067 (wheel cap color bright yellow)

**Note:**

Δ Add the desired wheel cap color here; no color code is required with black gray wheel caps



### KIPP Knurled Wheels, internal thread, metric

Item No.	Style	Version	Size	D	D1	D2	H	H1	T
K0260.1105	D	bushing steel	1	40	M5	16,5	31	13	10
K0260.1106	D	bushing steel	1	40	M6	16,5	31	13	10
K0260.1108	D	bushing steel	1	40	M8	16,5	31	13	14
K0260.1208	D	bushing steel	2	50	M8	18	36	15	14
K0260.1210	D	bushing steel	2	50	M10	18	36	15	14
K0260.1310	D	bushing steel	3	63	M10	22	41	17	14
K0260.1312	D	bushing steel	3	63	M12	22	41	17	18

# Knurled Wheels

internal components steel



## KIPP Knurled Wheels, internal thread, metric

Item No.	Style	Version	Size	D	D1	D2	H	H1	T
K0260.2105Δ	K	bushing steel	1	40	M5	16,5	31	13	10
K0260.2106Δ	K	bushing steel	1	40	M6	16,5	31	13	10
K0260.2108Δ	K	bushing steel	1	40	M8	16,5	31	13	14
K0260.2208Δ	K	bushing steel	2	50	M8	18	36	15	14
K0260.2210Δ	K	bushing steel	2	50	M10	18	36	15	14
K0260.2310Δ	K	bushing steel	3	63	M10	22	41	17	14
K0260.2312Δ	K	bushing steel	3	63	M12	22	41	17	18

## KIPP Knurled Wheels, with bushing, metric

Item No.	Style	Version	Size	D	D2	D3	H	H1	T
K0260.3106	E	bushing steel	1	40	16,5	6	31	13	10
K0260.3208	E	bushing steel	2	50	18	8	36	15	14
K0260.3310	E	bushing steel	3	63	22	10	41	17	14

## KIPP Knurled Wheels, with bushing, metric

Item No.	Style	Version	Size	D	D2	D3	H	H1	T
K0260.4106Δ	H	bushing steel	1	40	16,5	6	31	13	10
K0260.4208Δ	H	bushing steel	2	50	18	8	36	15	14
K0260.4310Δ	H	bushing steel	3	63	22	10	41	17	14

## KIPP Knurled Wheels, external thread, metric

Item No.	Style	Version	Size	D	D2	D4	H	H1	L
K0260.5105ΔX	L	bolt steel	1	40	16,5	M5	31	13	10/20/40
K0260.5106ΔX	L	bolt steel	1	40	16,5	M6	31	13	10/20/40
K0260.5108ΔX	L	bolt steel	1	40	16,5	M8	31	13	15/30/60
K0260.5208ΔX	L	bolt steel	2	50	18	M8	36	15	15/30/60
K0260.5210ΔX	L	bolt steel	2	50	18	M10	36	15	20/30/60
K0260.5310ΔX	L	bolt steel	3	63	22	M10	41	17	20/30/60
K0260.5312ΔX	L	bolt steel	3	63	22	M12	41	17	30/60



## Knurled Wheels

internal components stainless steel



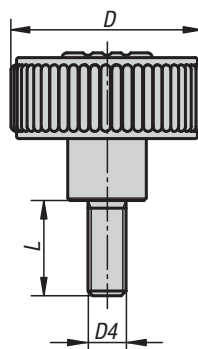
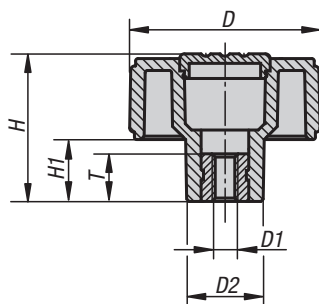
INCH Parts METRIC Parts



Style D  
tapped through hole without cap

Style K  
tapped through hole with cap

Style L  
external thread



**Novo-Grip Knurled Wheels are ergonomic, eye appealing, durable and offer a firm and safe grip. Ideal for all applications. Strength and durability are guaranteed with Novo-Grip Knurled Wheels.**

**Material:**

Thermoplastic, bushing and threaded bolt in stainless steel 1.4305.

**Type:**

Stainless steel natural finish.

**Part Number Example:**

K0261.51056X10  
(cap color traffic red; include length L)

**Note:**

Δ Add the desired wheel cap color here; no color code is required with black gray wheel caps

### KIPP Knurled Wheels, components in stainless steel, internal thread, inch

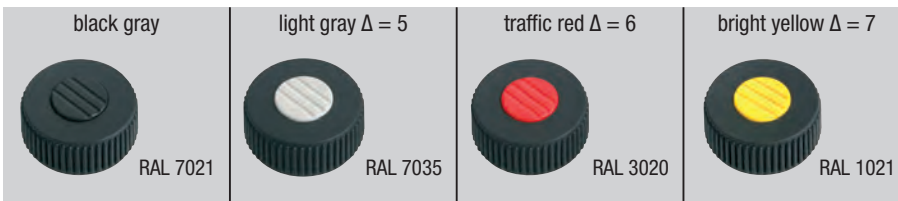
Item No.	Style	Version	Size	D	D1	D2	H	H1	T
K0261.11A1	D	bushing stainless steel	1	40	10-32	16.5	31	13	10
K0261.11A2	D	bushing stainless steel	1	40	1/4-20	16.5	31	13	10
K0261.11A3	D	bushing stainless steel	1	40	5/16-18	16.5	31	13	14
K0261.12A3	D	bushing stainless steel	2	50	5/16-18	18	36	15	14
K0261.12A4	D	bushing stainless steel	2	50	3/8-16	18	36	15	14
K0261.13A4	D	bushing stainless steel	3	63	3/8-16	22	41	17	14
K0261.13A5	D	bushing stainless steel	3	63	1/2-13	22	41	17	18

### KIPP Knurled Wheels, components in stainless steel, internal thread, inch

Item No.	Style	Version	Size	D	D1	D2	H	H1	T
K0261.21A1Δ	K	bushing stainless steel	1	40	10-32	16.5	31	13	10
K0261.21A2Δ	K	bushing stainless steel	1	40	1/4-20	16.5	31	13	10
K0261.21A3Δ	K	bushing stainless steel	1	40	5/16-18	16.5	31	13	14
K0261.22A3Δ	K	bushing stainless steel	2	50	5/16-18	18	36	15	14
K0261.22A4Δ	K	bushing stainless steel	2	50	3/8-16	18	36	15	14
K0261.23A4Δ	K	bushing stainless steel	3	63	3/8-16	22	41	17	14
K0261.23A5Δ	K	bushing stainless steel	3	63	1/2-13	22	41	17	18

# Knurled Wheels

internal components stainless steel



## KIPP Knurled Wheels, components in stainless steel, external thread, inch

Item No.	Style	Version	Size	D	D2	D4	H	H1	L
K0261.51A1ΔX	L	bolt stainless steel	1	40	16.5	10-32	31	13	10/20
K0261.51A2ΔX	L	bolt stainless steel	1	40	16.5	1/4-20	31	13	20/30
K0261.51A3ΔX	L	bolt stainless steel	1	40	16.5	5/16-18	31	13	20/40
K0261.52A3ΔX	L	bolt stainless steel	2	50	18	5/16-18	36	15	20/40
K0261.52A4ΔX	L	bolt stainless steel	2	50	18	3/8-16	36	15	20/40
K0261.53A4ΔX	L	bolt stainless steel	3	63	22	3/8-16	41	17	20/40

## KIPP Knurled Wheels, components in stainless steel, internal thread, metric

Item No.	Style	Version	Size	D	D1	D2	H	H1	T
K0261.1105	D	bushing stainless steel	1	40	M5	16,5	31	13	10
K0261.1106	D	bushing stainless steel	1	40	M6	16,5	31	13	10
K0261.1108	D	bushing stainless steel	1	40	M8	16,5	31	13	14
K0261.1208	D	bushing stainless steel	2	50	M8	18	36	15	14
K0261.1210	D	bushing stainless steel	2	50	M10	18	36	15	14
K0261.1310	D	bushing stainless steel	3	63	M10	22	41	17	14
K0261.1312	D	bushing stainless steel	3	63	M12	22	41	17	18

## KIPP Knurled Wheels, components in stainless steel, internal thread, metric

Item No.	Style	Version	Size	D	D1	D2	H	H1	T
K0261.2105Δ	K	bushing stainless steel	1	40	M5	16,5	31	13	10
K0261.2106Δ	K	bushing stainless steel	1	40	M6	16,5	31	13	10
K0261.2108Δ	K	bushing stainless steel	1	40	M8	16,5	31	13	14
K0261.2208Δ	K	bushing stainless steel	2	50	M8	18	36	15	14
K0261.2210Δ	K	bushing stainless steel	2	50	M10	18	36	15	14
K0261.2310Δ	K	bushing stainless steel	3	63	M10	22	41	17	14
K0261.2312Δ	K	bushing stainless steel	3	63	M12	22	41	17	18

## KIPP Knurled Wheels, components in stainless steel, external thread, metric

Item No.	Style	Version	Size	D	D2	D4	H	H1	L
K0261.5105ΔX	L	bolt stainless steel	1	40	16,5	M5	31	13	10/20
K0261.5106ΔX	L	bolt stainless steel	1	40	16,5	M6	31	13	10/20/40
K0261.5108ΔX	L	bolt stainless steel	1	40	16,5	M8	31	13	15/30/60
K0261.5208ΔX	L	bolt stainless steel	2	50	18	M8	36	15	15/30/60
K0261.5210ΔX	L	bolt stainless steel	2	50	18	M10	36	15	20/30/60
K0261.5310ΔX	L	bolt stainless steel	3	63	22	M10	41	17	20/30/60

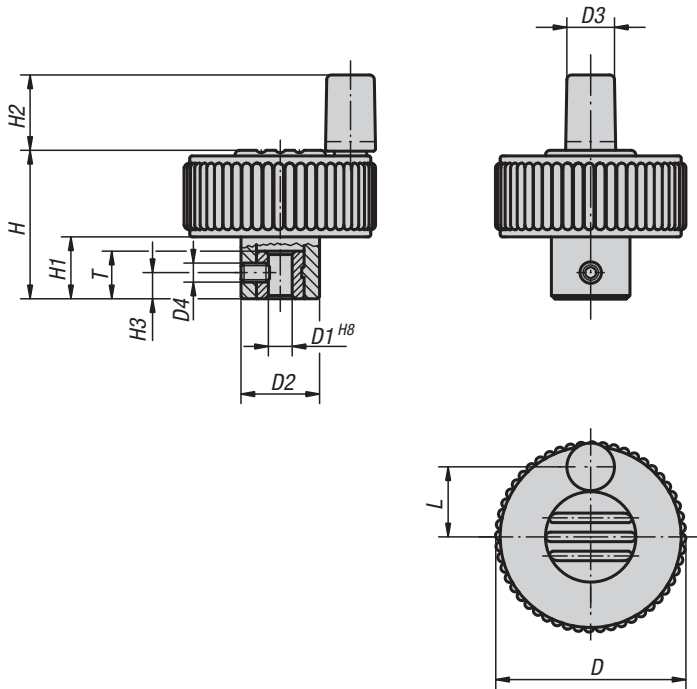
## Positioning Wheels

**INCH**  
Parts

**METRIC**  
Parts

Style H  
without tapped set screw hole

Style M  
with tapped set screw hole and set screw



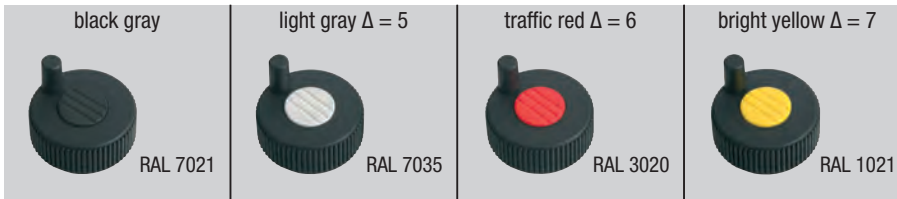
Attractive design and excellent ergonomic features make this Positioning Wheel a trendsetting product. Novo-Grip Positioning Wheels are durable, eye appealing and offer firm, a safe grip. Novo-Grip Positioning Wheels improve ease and performance in all applications.

**Material:**  
Handle black gray thermoplastic,  
bushing in steel quality class 5.8.

**Type:**  
Steel blue chromate.

**Part Number Example:**  
K0262.21066 (wheel cap color traffic red)

**Note:**  
Δ Add the desired wheel cap color here; no color code is required with black gray wheel caps



### KIPP Positioning Wheels, inch

Item No.	Style	Size	D	D1	D2	D3	D4	H	H1	H2	H3	L	T
K0262.21CMA	H	1	40	.250	16.5	10	-	31	13	16	-	15	10
K0262.22CMA	H	2	50	.250	18	10	-	36	15	16	-	18.5	10
K0262.23CNA	H	3	63	.312	22	10	-	41	17	16	-	25	14
K0262.11CMA	M	1	40	.250	16.5	10	M4	31	13	16	5.5	15	10
K0262.12CMA	M	2	50	.250	18	10	M4	36	15	16	5.5	18.5	10
K0262.13CNA	M	3	63	.312	22	10	M4	41	17	16	8	25	14

### KIPP Positioning Wheels, metric

Item No.	Style	Size	D	D1	D2	D3	D4	H	H1	H2	H3	L	T
K0262.2106Δ	H	1	40	6	16,5	10	-	31	13	16	-	15	10
K0262.2206Δ	H	2	50	6	18	10	-	36	15	16	-	18,5	10
K0262.2308Δ	H	3	63	8	22	10	-	41	17	16	-	25	14
K0262.1106Δ	M	1	40	6	16,5	10	M4	31	13	16	5,5	15	10
K0262.1206Δ	M	2	50	6	18	10	M4	36	15	16	5,5	18,5	10
K0262.1308Δ	M	3	63	8	22	10	M4	41	17	16	8	25	14

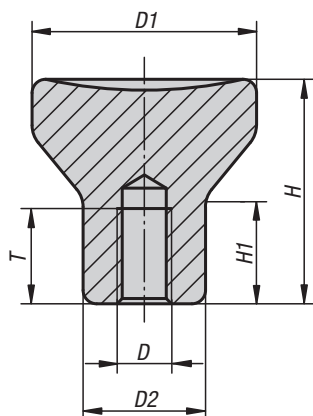
# Mushroom Knobs

stainless steel



INCH  
Parts

METRIC  
Parts



**Material:**

Stainless steel 1.4305.

**Type:**

Electrolytic-polish.

**Part Number Example:**

K0250.9AC

## KIPP Mushroom Knobs, stainless steel, internal thread, inch

Item No.	D	D1	D2	H	H1	T
K0250.9AC	2-56	14	8	14	6.7	4
K0250.0AD	6-32	18	10	18	8.6	7.5
K0250.1AE	8-32	21	12	21	10	10
K0250.1A0	10-24	21	12	21	10	12.5
K0250.1A1	10-32	21	12	21	10	12.5
K0250.2A2	1/4-20	25	14	25	12	12
K0250.3A3	5/16-18	33	18	33	16	16
K0250.4A4	3/8-16	40	24	40	18.7	20

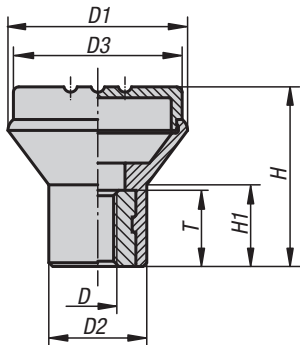
## KIPP Mushroom Knobs, stainless steel, internal thread, metric

Item No.	D	D1	D2	H	H1	T
K0250.902	M2	14	8	14	6,7	4
K0250.003	M3	18	10	18	8,6	7,5
K0250.104	M4	21	12	21	10	10
K0250.105	M5	21	12	21	10	12,5
K0250.206	M6	25	14	25	12	12
K0250.308	M8	33	18	33	16	16
K0250.410	M10	40	24	40	18,7	20

## Mushroom Knobs

with internal thread

INCH Parts    METRIC Parts



Advanced engineering and award winning design of Novo-Grip Mushroom Knobs will make any equipment stand out, high ergonomic functionality, a firm and safe gripping and the eye appealing design distinguish the Kipp Novo-Grip line.

**Material:**

Black gray thermoplastic.  
Bushing steel 5.8 or stainless steel 1.4305.

**Type:**

Steel blue chromate or stainless steel natural finish.

**Part Number Example:**

K0251.AE6 (cap color traffic red)

**Note:**

Δ Add the desired cap color here. No color code is required for black gray caps.



### KIPP Mushroom Knobs, internal thread, inch

Item No. bushing steel	Item No. bushing stainless steel	Size	D	D1	D2	D3	H	H1	T
K0251.AEΔ	K0251.0AEΔ	1	8-32	21	13	19	21	10	10
K0251.A1Δ	K0251.0A1Δ	1	10-32	21	13	19	21	10	10
K0251.A2Δ	K0251.0A2Δ	2	1/4-20	25	14	23	25	12	10
K0251.A3Δ	K0251.0A3Δ	3	5/16-18	33	19	31	33	15	14

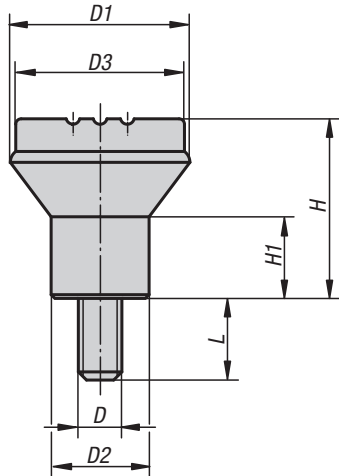
### KIPP Mushroom Knobs, internal thread, metric

Item No. bushing steel	Item No. bushing stainless steel	Size	D	D1	D2	D3	H	H1	T
K0251.04Δ	K0251.004Δ	1	M4	21	12	19	21	10	10
K0251.05Δ	K0251.005Δ	1	M5	21	12	19	21	10	10
K0251.06Δ	K0251.006Δ	2	M6	25	14	23	25	12	10
K0251.08Δ	K0251.008Δ	3	M8	33	19	31	33	15	14

## Mushroom Knobs

with external thread

INCH Parts METRIC Parts



Advanced engineering and award winning design of Novo-Grip Mushroom Knobs will make any equipment stand out, high ergonomic functionality, a firm and safe gripping and the eye appealing design distinguish the Kipp Novo-Grip line.

**Material:**  
Black gray thermoplastic.  
Screw steel 5.8, or stainless steel 1.4305.

**Type:**  
Steel blue chromate or stainless steel natural finish.

**Part Number Example:**  
K0251.AE6X10  
(cap color traffic red; include length L)

**Note:**  
Δ Add the desired cap color here; no color code is required for black gray caps.



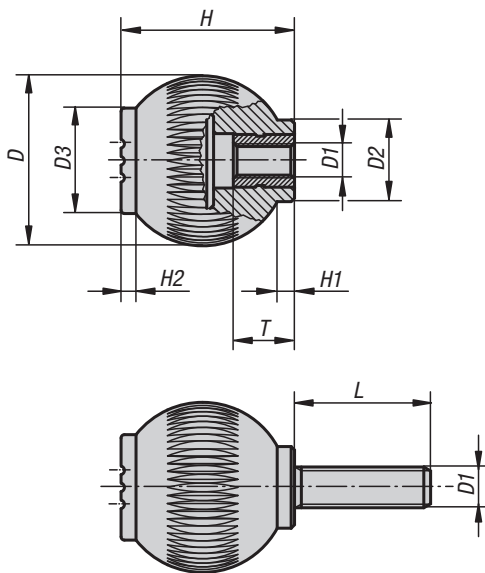
### KIPP Mushroom Knobs, external thread, inch

Item No. bolt steel	Item No. bolt stainless steel	Size	D	D1	D2	D3	H	H1	L
K0251.AEΔX	K0251.0AEΔX	1	8-32	21	13	19	21	10	10/20
K0251.A1ΔX	K0251.0A1ΔX	1	10-32	21	13	19	21	10	10/20
K0251.A2ΔX	K0251.0A2ΔX	2	1/4-20	25	14	23	25	12	20/30
K0251.A3ΔX	K0251.0A3ΔX	3	5/16-18	33	19	31	33	15	20/40

### KIPP Mushroom Knobs, external thread, metric

Item No. bolt steel	Item No. bolt stainless steel	Size	D	D1	D2	D3	H	H1	L
K0251.04X10	K0251.004X10	1	M4	21	12	19	21	10	10
K0251.05X10	K0251.005X10	1	M5	21	12	19	21	10	10
K0251.06X15	K0251.006X15	2	M6	25	14	23	25	12	15
K0251.08X15	K0251.008X15	3	M8	33	19	31	33	15	15

## Ball Grips

INCH  
PartsMETRIC  
Parts

A perfectly ergonomic product for “three-dimensional” gripping: The “third dimension” developed from the advanced engineering design of “Belt Fluting” creating exceptional ergonomic gripping.

**Material:**

Handle black gray thermoplastic;  
bushing and threaded bolt steel 5.8  
or stainless steel, 1.4305 natural finish

**Type:**

Steel blue chromate or  
stainless steel natural finish.

**Part Number Example:**

K0253.1A26X20  
(cap color traffic red; include dimension L)

**Note:**

Δ Add the desired grip cap color here; no color  
code is required with black gray grip caps

## Ball Grips



## KIPP Ball Grips, internal thread, inch

Item No. bushing steel	Item No. bushing stainless steel	Size	D	D1	D2	D3	H	H1	H2	T
K0253.1A2Δ	K0253.01A2Δ	1	25	1/4-20	12	17	25	2.5	2.2	10
K0253.2A3Δ	K0253.02A3Δ	2	32	5/16-18	15.5	19	33	3.2	2.8	14
K0253.3A4Δ	K0253.03A4Δ	3	40	3/8-16	19	23	41.5	4	3.5	14
K0253.4A4Δ	K0253.04A4Δ	4	50	3/8-16	24	31	51	5	4.4	14
K0253.4A5Δ	K0253.04A5Δ	4	50	1/2-13	24	31	51	5	4.4	18

## KIPP Ball Grips, external thread, inch

Item No. bolt steel	Item No. bolt stainless steel	Size	D	D1	D2	D3	H	H1	H2	L
K0253.1A2ΔX	K0253.01A2ΔX	1	25	1/4-20	12	17	25	2.5	2.2	20/30
K0253.2A3ΔX	K0253.02A3ΔX	2	32	5/16-18	15.5	19	33	3.2	2.8	20/40
K0253.3A4ΔX	K0253.03A4ΔX	3	40	3/8-16	19	23	41.5	4	3.5	20/40
K0253.4A4ΔX	K0253.04A4ΔX	4	50	3/8-16	24	31	51	5	4.4	20/40
K0253.4A5ΔX	-	4	50	1/2-13	24	31	51	5	4.4	30/60

## KIPP Ball Grips, internal thread, metric

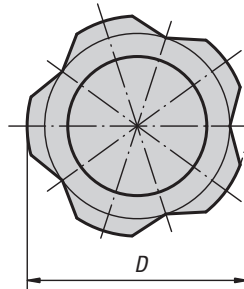
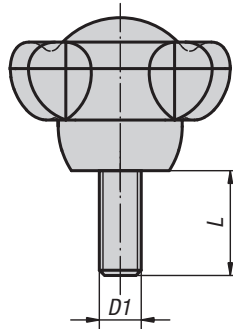
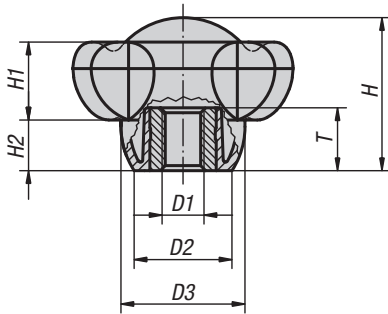
Item No. bushing steel	Item No. bushing stainless steel	Size	D	D1	D2	D3	H	H1	H2	T
K0253.106Δ	K0253.0106Δ	1	25	M6	12	17	25	2,5	2,2	10
K0253.208Δ	K0253.0208Δ	2	32	M8	15,5	19	33	3,2	2,8	14
K0253.310Δ	K0253.0310Δ	3	40	M10	19	23	41,5	4	3,5	14
K0253.410Δ	K0253.0410Δ	4	50	M10	24	31	51	5	4,4	14
K0253.412Δ	K0253.0412Δ	4	50	M12	24	31	51	5	4,4	18

## KIPP Ball Grips, external thread, metric

Item No. bolt steel	Item No. bolt stainless steel	Size	D	D1	D2	D3	H	H1	H2	L
K0253.106ΔX	K0253.0106ΔX	1	25	M6	12	17	25	2,5	2,2	15/20/25/30
K0253.208ΔX	K0253.0208ΔX	2	32	M8	15,5	19	33	3,2	2,8	20/25/30/40
K0253.310ΔX	K0253.0310ΔX	3	40	M10	19	23	41,5	4	3,5	20/30/40
K0253.410ΔX	K0253.0410ΔX	4	50	M10	24	31	51	5	4,4	20/30/40
K0253.412ΔX	K0253.0412ΔX	4	50	M12	24	31	51	5	4,4	20/30/40



## Five Lobe Grips

INCH  
PartsMETRIC  
Parts

Modern design and hi-tech engineering technology make Kipp's Novo-Grip line pleasing to the eye and highly functional.

Novo-Grip Five Lobe Grips are a cost effective alternative to make customers' products stand out!

**Material:**

Thermoplastic black gray.  
Bushing and threaded bolt steel 5.8 or stainless steel 1.4305.

**Type:**

Steel blue chromate or stainless steel natural finish.

**Part Number Example:**

K0255.50106X30  
(cap color traffic red; include length L)

**Note:**

The screw lengths 15, 35 and 45 are not available in stainless steel.

Δ Add the desired grip cap color here; no color code is required with black gray grip caps

## Five Lobe Grips



### KIPP Five Lobe Grips, internal thread, inch

Item No. bushing steel	Item No. bushing stainless steel	D	D1	D2	D3	H	H1	H2	T
K0255.50A3Δ	K0255.50A31Δ	50	5/16-18	22.2	28.2	34.8	17.8	11.5	14
K0255.50A4Δ	K0255.50A41Δ	50	3/8-16	22.2	28.2	34.8	17.8	11.5	14
K0255.50A5Δ	K0255.50A51Δ	50	1/2-13	22.2	28.2	34.8	17.8	11.5	18
K0255.63A4Δ	K0255.63A41Δ	63	3/8-16	28	35.5	44	22.5	14.5	14
K0255.63A5Δ	K0255.63A51Δ	63	1/2-13	28	35.5	44	22.5	14.5	18
K0255.63A6Δ	-	63	5/8-11	28	35.5	44	22.5	14.5	18

### KIPP Five Lobe Grips, external thread, inch

Item No. bolt steel	Item No. bolt stainless steel	D	D1	D2	D3	H	H1	H2	L
K0255.50A4ΔX	K0255.50A41ΔX	50	3/8-16	22.2	28.2	34.8	17.8	11.5	20/40
K0255.50A5ΔX	-	50	1/2-13	22.2	28.2	34.8	17.8	11.5	30/60
K0255.63A4ΔX	K0255.63A41ΔX	63	3/8-16	28	35.5	44	22.5	14.5	20/40
K0255.63A5ΔX	-	63	1/2-13	28	35.5	44	22.5	14.5	30/60

### KIPP Five Lobe Grips, internal thread, metric

Item No. bushing steel	Item No. bushing stainless steel	D	D1	D2	D3	H	H1	H2	T
K0255.5008Δ	K0255.50081Δ	50	M8	22,2	28,2	34,8	17,8	11,5	14
K0255.5010Δ	K0255.50101Δ	50	M10	22,2	28,2	34,8	17,8	11,5	14
K0255.5012Δ	K0255.50121Δ	50	M12	22,2	28,2	34,8	17,8	11,5	18
K0255.6310Δ	K0255.63101Δ	63	M10	28	35,5	44	22,5	14,5	14
K0255.6312Δ	K0255.63121Δ	63	M12	28	35,5	44	22,5	14,5	18
K0255.6316Δ	-	63	M16	28	35,5	44	22,5	14,5	18

### KIPP Five Lobe Grips, external thread, metric

Item No. bolt steel	Item No. bolt stainless steel	D	D1	D2	D3	H	H1	H2	L
K0255.5010ΔX	K0255.50101ΔX	50	M10	22,2	28,2	34,8	17,8	11,5	15/20/25/30/35/40/45/50/60
K0255.5012ΔX	-	50	M12	22,2	28,2	34,8	17,8	11,5	15/20/25/30/35/40/45/50/60
K0255.6310ΔX	K0255.63101ΔX	63	M10	28	35,5	44	22,5	14,5	20/25/30/35/40/45/50/60
K0255.6312ΔX	-	63	M12	28	35,5	44	22,5	14,5	20/25/30/35/40/45/50/60

## Handwheels

without handle

INCH Parts    METRIC Parts



This modern, eye appealing handwheel combines quality, durability, strength, ergonomics and safety into one product.

Superior design ensures precision adjustments, ergonomic handling and safe operation.

**Material:**

Black gray thermoplastic.

**Type:**

Steel parts black oxide finish.

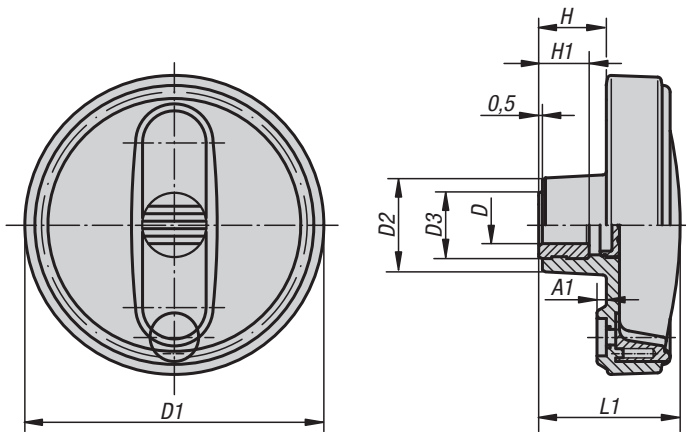
**Part Number Example:**

K0256.1080C0

**Note:**

The hub cover is supplied loose.

The handwheels can be secured using a transverse pin or by parallel key connection together with a DIN 6912 socket head screw and a DIN 7349 washer.



### KIPP Handwheels, without handle, inch

Item No.	Size	D	D1	D2	D3	A1	H	H1	L1
K0256.1080C0	1	.375	80	25	19	2.5	17.5	13	37.5
K0256.2100C0	2	.375	100	28	19	3	20	13	44
K0256.2100CP	2	.500	100	28	19	3	20	13	44
K0256.3125CP	3	.500	125	35	25	4	23.5	18.5	53
K0256.4160CP	4	.500	160	45	25	5.6	28	18.5	64.5
K0256.4160CQ	4	.625	160	45	25	5.6	28	18.5	64.5

### KIPP Handwheels, without handle, metric

Item No.	Size	D	D1	D2	D3	A1	H	H1	L1
K0256.108008	1	8	80	25	19	2,5	17,5	13	37,5
K0256.210010	2	10	100	28	19	3	20	13	44
K0256.210012	2	12	100	28	19	3	20	13	44
K0256.312512	3	12	125	35	25	4	23,5	18,5	53
K0256.416014	4	14	160	45	25	5,6	28	18,5	64,5
K0256.416016	4	16	160	45	25	5,6	28	18,5	64,5

## Handwheels

with revolving handle



INCH Parts    METRIC Parts



**Material:**

Black gray thermoplastic.

**Type:**

Steel parts black oxide finish.

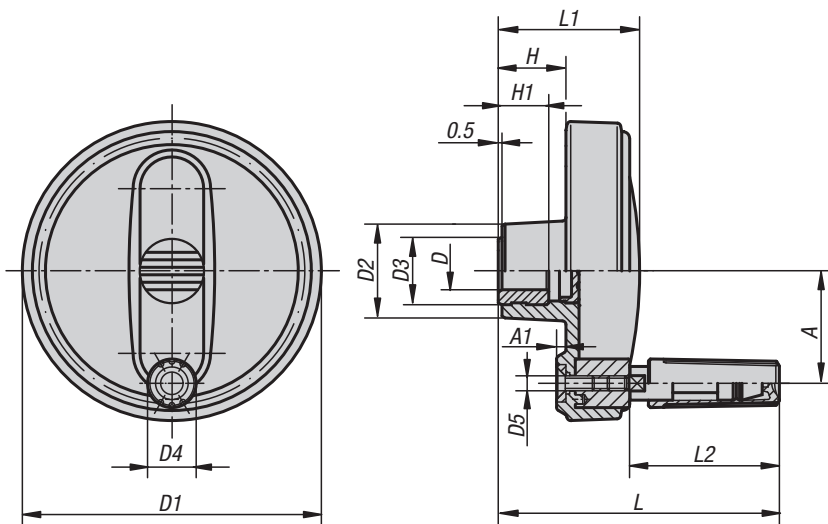
**Part Number Example:**

K0257.1080C0

**Note:**

The hub cover and the revolving grip are supplied loose. To assemble the grip, simply screw it into the existing hole.

The handwheels can be secured using a transverse pin or by parallel key connection together with a DIN 6912 socket head screw and a DIN 7349 washer.



### KIPP Handwheels, with revolving handle, inch

Item No.	Size	D	D1	D2	D3	D4	D5	A	A1	H	H1	L	L1	L2
K0257.1080C0	1	.375	80	25	19	13	M4	30	2.5	17.5	13	75	37.5	40
K0257.2100C0	2	.375	100	28	19	16	M5	38	3	20	13	90	44	49.5
K0257.2100CP	2	.500	100	28	19	16	M5	38	3	20	13	90	44	49.5
K0257.3125CP	3	.500	125	35	25	20	M6	47.5	4	23.5	18.5	109	53	60
K0257.4160CP	4	.500	160	45	25	25	M8	62	5.6	28	18.5	144	64.5	83.5
K0257.4160CQ	4	.625	160	45	25	25	M8	62	5.6	28	18.5	144	64.5	83.5

### KIPP Handwheels, with revolving handle, metric

Item No.	Size	D	D1	D2	D3	D4	D5	A	A1	H	H1	L	L1	L2
K0257.108008	1	8	80	25	19	13	M4	30	2,5	17,5	13	75	37,5	40
K0257.210010	2	10	100	28	19	16	M5	38	3	20	13	90	44	49,5
K0257.210012	2	12	100	28	19	16	M5	38	3	20	13	90	44	49,5
K0257.312512	3	12	125	35	25	20	M6	47,5	4	23,5	18,5	109	53	60
K0257.416014	4	14	160	45	25	25	M8	62	5,6	28	18,5	144	64,5	83,5
K0257.416016	4	16	160	45	25	25	M8	62	5,6	28	18,5	144	64,5	83,5

## Handwheels

with fold-away handle

INCH Parts METRIC Parts



**Material:**

Black gray thermoplastic.

**Type:**

Steel parts black oxide finish.

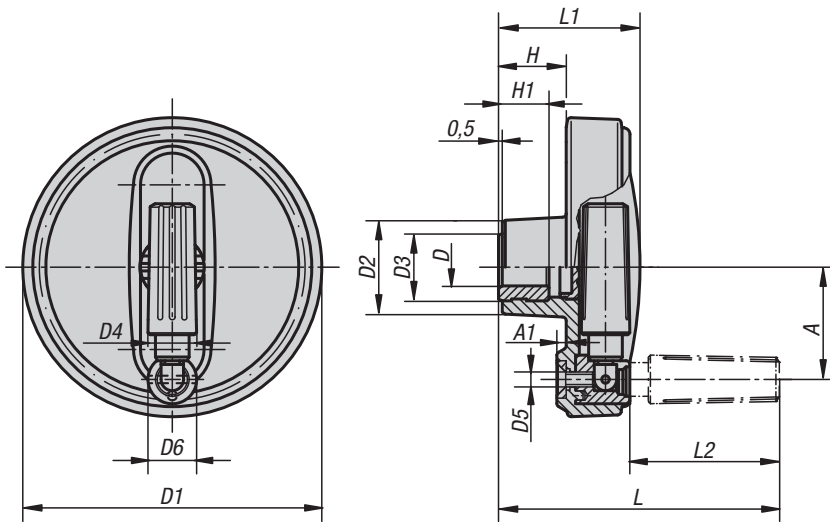
**Part Number Example:**

K0258.1080C0

**Note:**

The hub cover is supplied unassembled.

The handwheels can be secured to the shaft by parallel key connection, cross-pinning or with a DIN 6912 socket head screw and a DIN 7349 washer.



### KIPP Handwheels, with fold-away handle, inch

Item No.	Size	D	D1	D2	D3	D4	D5	D6	A	A1	H	H1	L	L1	L2
K0258.1080C0	1	.375	80	25	19	13	M4	13	30	2.5	17.5	13	75	37.5	40
K0258.2100C0	2	.375	100	28	19	16	M5	16	38	3	20	13	90	44	49
K0258.2100CP	2	.500	100	28	19	16	M5	16	38	3	20	13	90	44	49
K0258.3125CP	3	.500	125	35	25	20	M6	20	47.5	4	23.5	18.5	109	53	59.5
K0258.4160CP	4	.500	160	45	25	25	M8	26	62	5.6	28	18.5	144	64.5	83.5
K0258.4160CQ	4	.625	160	45	25	25	M8	26	62	5.6	28	18.5	144	64.5	83.5

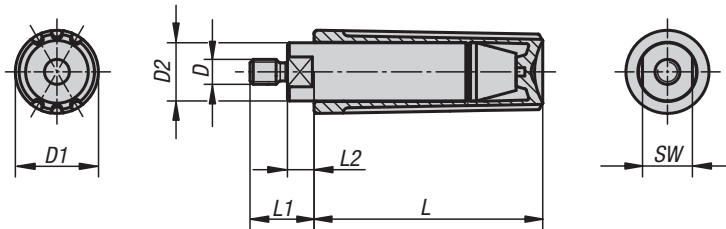
### KIPP Handwheels, with fold-away handle, metric

Item No.	Size	D	D1	D2	D3	D4	D5	D6	A	A1	H	H1	L	L1	L2
K0258.108008	1	8	80	25	19	13	M4	13	30	2,5	17,5	13	75	37,5	40
K0258.210010	2	10	100	28	19	16	M5	16	38	3	20	13	90	44	49
K0258.210012	2	12	100	28	19	16	M5	16	38	3	20	13	90	44	49
K0258.312512	3	12	125	35	25	20	M6	20	47,5	4	23,5	18,5	109	53	59,5
K0258.416014	4	14	160	45	25	25	M8	26	62	5,6	28	18,5	144	64,5	83,5
K0258.416016	4	16	160	45	25	25	M8	26	62	5,6	28	18,5	144	64,5	83,5

## Machine and Handwheel Handles



INCH Parts    METRIC Parts



**Novo-Grip Handles** are ergonomically designed with great versatility. Engineered for strength, durability and precision performance. These stylish handles will make any application stand out.

**Material:**  
Black gray thermoplastic.

**Type:**  
Steel parts black oxide finish.

**Part Number Example:**  
K0263.1AE

**Note:**  
Revolving Handles are supplied assembled and can be fitted to handwheels, cranks or any other operating element.

### KIPP Revolving Handles, inch

Item No.	Size	D	D1	D2	L	L1	L2	SW
K0263.1AE	1	8-32	13	9	35	11	5	8
K0263.2A1	2	10-32	16	11	44	13	5.5	10
K0263.3A2	3	1/4-20	20	14	55	14	5	12
K0263.4A3	4	5/16-18	25	18	70.5	25	13	15

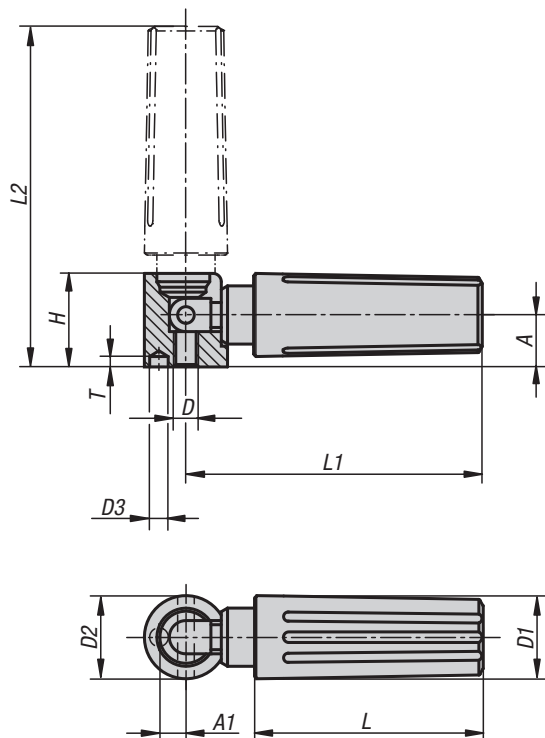
### KIPP Revolving Handles, metric

Item No.	Size	D	D1	D2	L	L1	L2	SW
K0263.104	1	M4	13	9	35	11	5	8
K0263.205	2	M5	16	11	44	13	5,5	10
K0263.306	3	M6	20	14	55	14	5	12
K0263.408	4	M8	25	18	70,5	25	13	15

## Machine and Handwheel Handles



INCH Parts    METRIC Parts



**Novo-Grip Handles** are ergonomically designed with great versatility. Engineered for strength, durability and precision performance. These stylish handles will make any application stand out.

**Material:**  
Black gray thermoplastic.

**Type:**  
Steel parts black oxide finish.

**Part Number Example:**  
K0264.1AE

**Note:**  
Revolving Handles are supplied assembled and can be fitted to handwheels, cranks or any other operating element.  
The hole D3 is used for positioning.

### KIPP Fold-Away Handles, inch

Item No.	Size	D	D1	D2	D3	A	A1	H	L	L1	L2	T
K0264.1AE	1	8-32	13	13	2.5	8	4.3	14.5	35	47	54.5	4.5
K0264.2A1	2	10-32	16	16	3.5	10	5.3	18	44	58	67	4.5
K0264.3A2	3	1/4-20	20	20	4.5	12.5	6.5	22.5	55	71.5	82	6
K0264.4A3	4	5/16-18	25	26	5.5	16	9	29	70.5	98.5	112.5	6.5

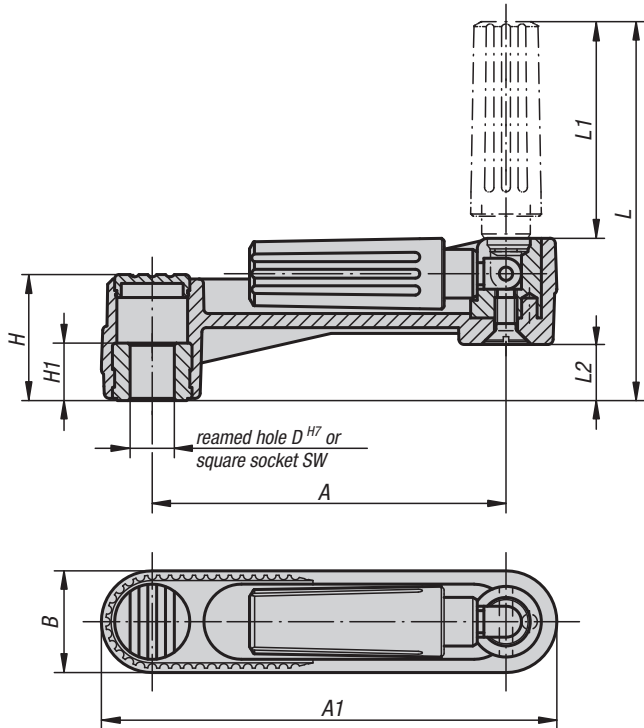
### KIPP Fold-Away Handles, metric

Item No.	Size	D	D1	D2	D3	A	A1	H	L	L1	L2	T
K0264.104	1	M4	13	13	2,5	8	4,3	14,5	35	47	54,5	4,5
K0264.205	2	M5	16	16	3,5	10	5,3	18	44	58	67	4,5
K0264.306	3	M6	20	20	4,5	12,5	6,5	22,5	55	71,5	82	6
K0264.408	4	M8	25	26	5,5	16	9	29	70,5	98,5	112,5	6,5

## Crank Handles

with fold-away grip

INCH Parts    METRIC Parts



**Novo-Grip Crank Handles** are part of Kipp's advanced engineering Novo-Grip product line. These trend-setting Crank Handles are ergonomically designed to perform in any application offering strength, durability, and precision performance while offering an attractive appearance.

**Material:**  
Black gray thermoplastic.

**Type:**  
Steel parts black oxide finish.

**Part Number Example:**  
K0266.11CO

**Note:**  
The hub cap is supplied loose. The crank handle can be secured to a shaft using a transverse pin or by parallel key connection together with a DIN 6912 socket head screw and a DIN 7349 washer.

### KIPP Crank Handles, with fold-away grip, inch

Item No.	Size	A	A1	B	D	H	H1	L	L1	L2
K0266.11CO	1	80	104	24	.375	29	13	85.5	49	13
K0266.12CO	2	100	129	29	.375	36	13	105	59.5	16
K0266.12CP	2	100	129	29	.500	36	13	105	59.5	16
K0266.13CP	3	125	161	36	.500	44	18.5	140	83.5	19.5

### KIPP Crank Handles, with fold-away grip, metric

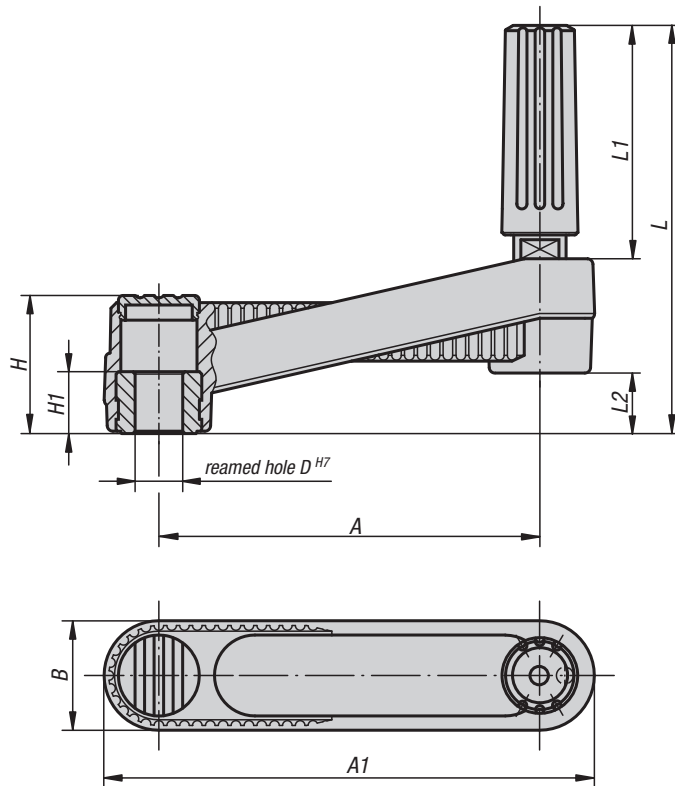
Item No.	Size	A	A1	B	D	H	H1	L	L1	L2
K0266.1108	1	80	104	24	8	29	13	85,5	49	13
K0266.1210	2	100	129	29	10	36	13	105	59,5	16
K0266.1212	2	100	129	29	12	36	13	105	59,5	16
K0266.1312	3	125	161	36	12	44	18,5	140	83,5	19,5



## Crank Handles

with revolving grip

INCH Parts    METRIC Parts



**Novo-Grip Crank Handles** are part of Kipp's advanced engineering Novo-Grip line. These trend-setting Crank Handles are ergonomically designed to perform in any application offering strength, durability, and precision performance while offering an attractive appearance.

**Material:**  
Black gray thermoplastic.

**Type:**  
Steel parts black oxide finish.

**Part Number Example:**  
K0659.31C0

**Note:**  
The hub cap and the revolving grip are supplied loose. To assemble the handle simply screw the grip into the existing hole. Novo-Grip crank handles can be secured to a shaft by using a transverse pin or by parallel key connection together with a DIN 6912 socket head screw and a DIN 7349 washer.

### KIPP Crank Handles, with revolving grip, inch

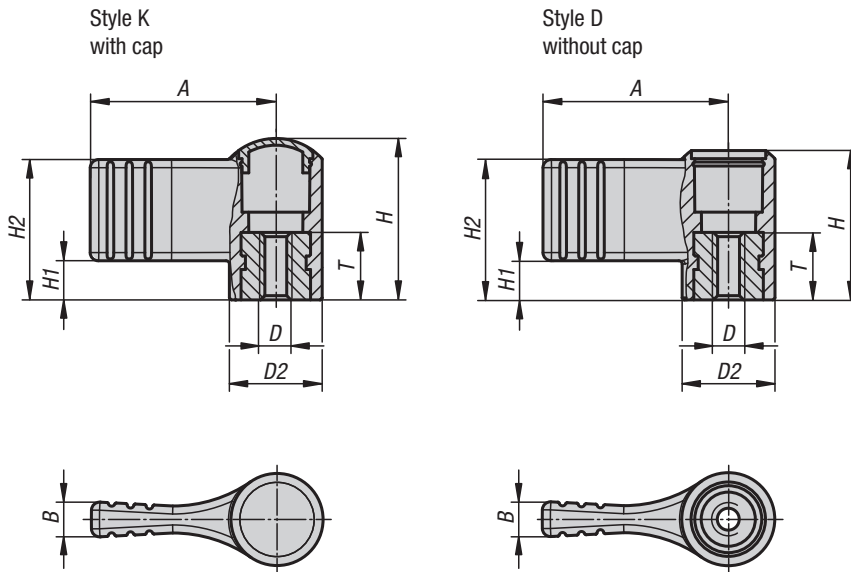
Item No.	Size	A	A1	B	D	H	H1	L	L1	L2
K0659.31C0	1	80	104	24	.375	29	13	85.5	49	13
K0659.32C0	2	100	129	29	.375	36	13	105	59.5	16
K0659.32CP	2	100	129	29	.500	36	13	105	59.5	16
K0659.33CP	3	125	161	36	.500	44	18.5	140	83.5	19.5

### KIPP Crank Handles, with revolving grip, metric

Item No.	Size	A	A1	B	D	H	H1	L	L1	L2
K0659.3108	1	80	104	24	8	29	13	85,5	49	13
K0659.3210	2	100	129	29	10	36	13	105	59,5	16
K0659.3212	2	100	129	29	12	36	13	105	59,5	16
K0659.3312	3	125	161	36	12	44	18,5	140	83,5	19,5

## Wing Grips one-sided

METRIC  
Parts



**Material:**

Black gray thermoplastic.  
Bushing steel 5.8, or  
stainless steel 1.4305.

**Type:**

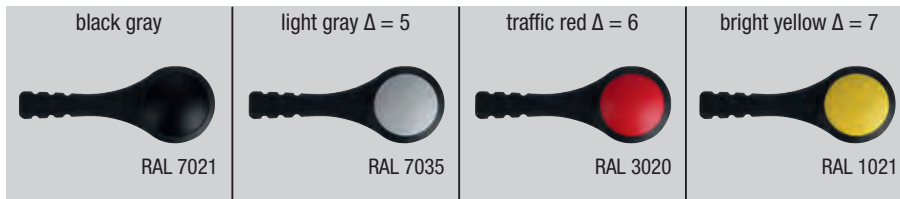
Black gray.  
Bushing blue chromate or  
stainless steel natural finish.

**Part Number Example:**

K0608.09046  
(M4 bushing in stainless steel, cap traffic red.)

**Note:**

Δ Add the desired cap color here. No color code  
is required for black gray caps.



### KIPP Wing Grips, one-sided with cap, metric

Item No. bushing in steel	Item No. bushing in stainless steel	Style	Size	D	D2	A	B	H	H1	H2	T
K0608.904Δ	K0608.0904Δ	K	9	M4	12	22	4,4	18	4,5	15,5	10
K0608.905Δ	K0608.0905Δ	K	9	M5	12	22	4,4	18	4,5	15,5	10
K0608.906Δ	K0608.0906Δ	K	9	M6	12	22	4,4	18	4,5	15,5	10
K0608.105Δ	K0608.0105Δ	K	1	M5	14	27,5	5,1	24	5,8	20,8	10
K0608.106Δ	K0608.0106Δ	K	1	M6	14	27,5	5,1	24	5,8	20,8	10
K0608.208Δ	K0608.0208Δ	K	2	M8	21	37,5	6,3	36	8,5	30,5	14
K0608.210Δ	K0608.0210Δ	K	2	M10	21	37,5	6,3	36	8,5	30,5	14

### KIPP Wing grips, one-sided without cap, metric

Item No. bushing in steel	Item No. bushing in stainless steel	Style	Size	D	D2	A	B	H	H1	H2	T
K0608.1904	K0608.10904	D	9	M4	12	22	4,4	16,1	4,5	15,5	10
K0608.1905	K0608.10905	D	9	M5	12	22	4,4	16,1	4,5	15,5	10
K0608.1906	K0608.10906	D	9	M6	12	22	4,4	16,1	4,5	15,5	10
K0608.1105	K0608.10105	D	1	M5	14	27,5	5,1	22,1	5,8	20,8	10
K0608.1106	K0608.10106	D	1	M6	14	27,5	5,1	22,1	5,8	20,8	10
K0608.1208	K0608.10208	D	2	M8	21	37,5	6,3	33,3	8,5	30,5	14
K0608.1210	K0608.10210	D	2	M10	21	37,5	6,3	33,3	8,5	30,5	14

K0273

# Wing Grips

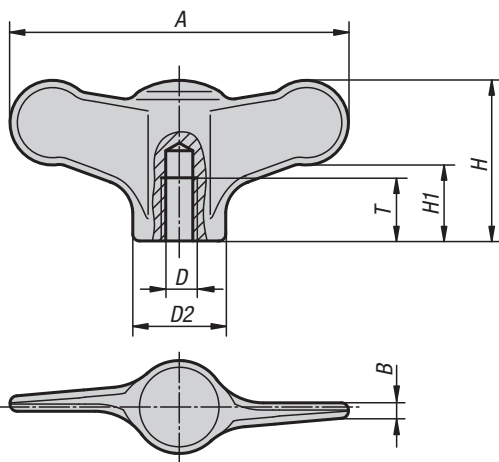
stainless steel



INCH  
Parts

METRIC  
Parts

Expanded Line



**Material:**

Stainless steel 1.4308

**Type:**

Blasted or ground and polished.

**Part Number Example:**

K0273.9AE

**On request:**

Wing Grips with external threads.

## Wing Grips

stainless steel



## KIPP Wing Grips, stainless steel, internal thread, inch

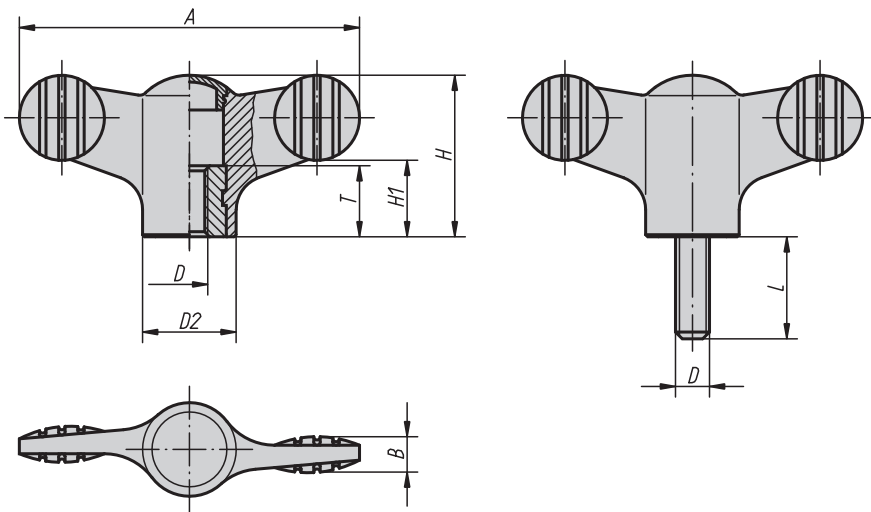
Item No.	Version	D	D2	A	B	H	H1	T
K0273.9AE	ground and polished	8-32	10.5	38	1.7	18	8.5	9
K0273.9A1	ground and polished	10-32	10.5	38	1.7	18	8.5	9
K0273.9A2	ground and polished	1/4-20	10.5	38	1.7	18	8.5	9
K0273.1A0	ground and polished	10-24	14	50	2.3	24	11.5	10
K0273.1A1	ground and polished	10-32	14	50	2.3	24	11.5	12
K0273.1A2	ground and polished	1/4-20	14	50	2.3	24	11.5	10
K0273.2A3	ground and polished	5/16-18	21	75	3.4	35	16.5	14
K0273.2A4	ground and polished	3/8-16	21	75	3.4	35	16.5	14
K0273.9AE1	blasted	8-32	10.5	38	1.7	18	8.5	9
K0273.9A11	blasted	10-32	10.5	38	1.7	18	8.5	9
K0273.9A21	blasted	1/4-20	10.5	38	1.7	18	8.5	9
K0273.1A01	blasted	10-24	14	50	2.3	24	11.5	12
K0273.1A11	blasted	10-32	14	50	2.3	24	11.5	12
K0273.1A21	blasted	1/4-20	14	50	2.3	24	11.5	12
K0273.2A31	blasted	5/16-18	21	75	3.4	35	16.5	15
K0273.2A41	blasted	3/8-16	21	75	3.4	35	16.5	15

## KIPP Wing Grips, stainless steel, internal thread, metric

Item No.	Version	D	D2	A	B	H	H1	T
K0273.904	ground and polished	M4	10,5	38	1,7	18	8,5	9
K0273.905	ground and polished	M5	10,5	38	1,7	18	8,5	9
K0273.906	ground and polished	M6	10,5	38	1,7	18	8,5	9
K0273.105	ground and polished	M5	14	50	2,3	24	11,5	12
K0273.106	ground and polished	M6	14	50	2,3	24	11,5	12
K0273.208	ground and polished	M8	21	75	3,4	35	16,5	15
K0273.210	ground and polished	M10	21	75	3,4	35	16,5	15
K0273.9041	blasted	M4	10,5	38	1,7	18	8,5	9
K0273.9051	blasted	M5	10,5	38	1,7	18	8,5	9
K0273.9061	blasted	M6	10,5	38	1,7	18	8,5	9
K0273.1051	blasted	M5	14	50	2,3	24	11,5	12
K0273.1061	blasted	M6	14	50	2,3	24	11,5	12
K0273.2081	blasted	M8	21	75	3,4	35	16,5	15
K0273.2101	blasted	M10	21	75	3,4	35	16,5	15

## Wing Grips

INCH Parts    METRIC Parts



The modern design and hi-tech engineering of Novo-Grip Wing Grips appeal offers perfect performance and ergonomic functionality. These Novo-Grip Wing Grips will improve appearance and functionality of any application, increasing performance while offering a more comfortable grip.

**Material:**

Black gray thermoplastic; bushing and threaded bolt in steel 5.8 or stainless steel 1.4305

**Type:**

Grip black gray bushing and threaded bolt in steel blue chromate or stainless steel natural finish

**Part Number Example:**

K0274.9AE7X10 (cap color bright yellow; include length L)

**Note:**

Δ Add the desired cap color here; no color code is required for black gray caps.



## Wing Grips



## KIPP Wing Grips, internal thread, inch

Item No. bushing steel	Item No. bushing stainless steel	D	D2	A	B	H	H1	T
K0274.9AEΔ	K0274.09AEΔ	8-32	12	38	4.5	18	8.5	10
K0274.9A1Δ	K0274.09A1Δ	10-32	12	38	4.5	18	8.5	10
K0274.9A2Δ	K0274.09A2Δ	1/4-20	12	38	4.5	18	8.5	10
K0274.1A1Δ	K0274.01A1Δ	10-32	14	50	5	24	11.5	10
K0274.1A2Δ	K0274.01A2Δ	1/4-20	14	50	5	24	11.5	10
K0274.2A3Δ	K0274.02A3Δ	5/16-18	21	75	7	35.6	16.5	14
K0274.2A4Δ	K0274.02A4Δ	3/8-16	21	75	7	35.6	16.5	14

## KIPP Wing Grips, external thread, inch

Item No. stud steel	Item No. stud stainless steel	D	D2	A	B	H	H1	L
K0274.9AEΔX	K0274.09AEΔX	8-32	12	38	4.5	18	8.5	10/20
K0274.9A1ΔX	K0274.09A1ΔX	10-32	12	38	4.5	18	8.5	10/20
K0274.9A2ΔX	K0274.09A2ΔX	1/4-20	12	38	4.5	18	8.5	20/30/40
K0274.1A1ΔX	K0274.01A1ΔX	10-32	14	50	5	24	11.5	10/20
K0274.1A2ΔX	K0274.01A2ΔX	1/4-20	14	50	5	24	11.5	20/30/40
K0274.1A3ΔX	K0274.01A3ΔX	5/16-18	14	50	5	24	11.5	20/40
K0274.2A3ΔX	K0274.02A3ΔX	5/16-18	21	75	7	35.6	16.5	20/40
K0274.2A4ΔX	K0274.02A4ΔX	3/8-16	21	75	7	35.6	16.5	20/40

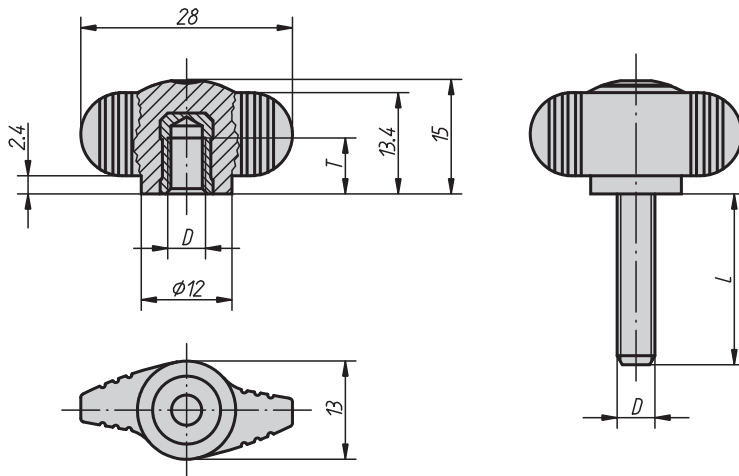
## KIPP Wing Grips, internal thread, metric

Item No. bushing steel	Item No. bushing stainless steel	D	D2	A	B	H	H1	T
K0274.904Δ	K0274.0904Δ	M4	12	38	4,5	18	8,5	10
K0274.905Δ	K0274.0905Δ	M5	12	38	4,5	18	8,5	10
K0274.906Δ	K0274.0906Δ	M6	12	38	4,5	18	8,5	10
K0274.105Δ	K0274.0105Δ	M5	14	50	5	24	11,5	10
K0274.106Δ	K0274.0106Δ	M6	14	50	5	24	11,5	10
K0274.208Δ	K0274.0208Δ	M8	21	75	7	35,6	16,5	14
K0274.210Δ	K0274.0210Δ	M10	21	75	7	35,6	16,5	14

## KIPP Novo-Grip Wing Grips, external thread, metric

Item No. bolt steel	Item No. bolt stainless steel	D	D2	A	B	H	H1	L
K0274.904ΔX	K0274.0904ΔX	M4	12	38	4,5	18	8,5	10/15
K0274.905ΔX	K0274.0905ΔX	M5	12	38	4,5	18	8,5	15/20/30
K0274.906ΔX	K0274.0906ΔX	M6	12	38	4,5	18	8,5	20/30/40
K0274.105ΔX	K0274.0105ΔX	M5	14	50	5	24	11,5	15/20
K0274.106ΔX	K0274.0106ΔX	M6	14	50	5	24	11,5	20/30/40
K0274.108ΔX	K0274.0108ΔX	M8	14	50	5	24	11,5	20/30/40
K0274.208ΔX	K0274.0208ΔX	M8	21	75	7	35,6	16,5	20/30/40
K0274.210ΔX	K0274.0210ΔX	M10	21	75	7	35,6	16,5	20/30/40/50

## Mini Wings

INCH  
PartsMETRIC  
Parts

This unique and technically superior Novo-Grip product, brings advanced ergonomic design, durability, strength, eye appeal and finger specific precision performance to any application. The perfect solution for high performance and precise gripping requirements in a "mini" space.

**Material:**

Grip black gray thermoplastic.  
Brass bushing or stainless steel 1.4305.  
Threaded bolt steel 5.8 or stainless steel 1.4305.

**Type:**

Steel blue chromate.  
Stainless steel natural finish.

**Part Number Example:**

K0274.0AEX10 (include length L)

## KIPP Mini Wings, internal thread, inch

Item No.	Version	D	T
K0274.0AE	bushing brass	8-32	6
K0274.0A1	bushing brass	10-32	7.5
K0274.0A2	bushing brass	1/4-20	9
K0274.00AE	bushing stainless steel	8-32	6
K0274.00A1	bushing stainless steel	10-32	7.5
K0274.00A2	bushing stainless steel	1/4-20	9

## KIPP Mini Wings, external thread, inch

Item No.	Version	D	L
K0274.0AEX	stud steel	8-32	10/20
K0274.0A1X	stud steel	10-32	10/20
K0274.0A2X	stud steel	1/4-20	20/30
K0274.0A3X	stud steel	5/16-18	20/40
K0274.00AEX	stud stainless steel	8-32	10/20
K0274.00A1X	stud stainless steel	10-32	10/20
K0274.00A2X	stud stainless steel	1/4-20	20/30
K0274.00A3X	stud stainless steel	5/16-18	20/40

## KIPP Mini Wings, internal thread, metric

Item No.	Version	D	T
K0274.004	bushing brass	M4	6
K0274.005	bushing brass	M5	7,5
K0274.006	bushing brass	M6	9
K0274.0004	bushing stainless steel	M4	6
K0274.0005	bushing stainless steel	M5	7,5
K0274.0006	bushing stainless steel	M6	9

## KIPP Mini Wings, external thread, metric

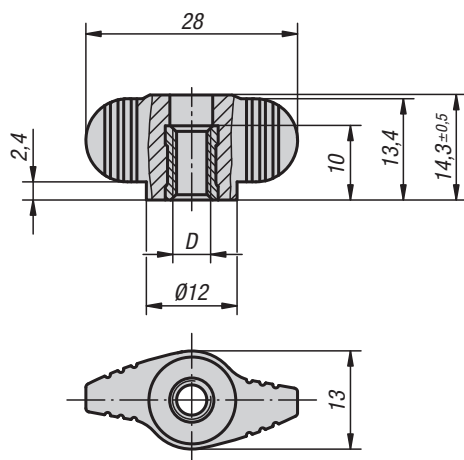
Item No.	Version	D	L
K0274.004X	stud steel	M4	8
K0274.005X	stud steel	M5	10/15/20
K0274.006X	stud steel	M6	10/15/20/25/30
K0274.008X	stud steel	M8	20/25/30/40
K0274.0004X	stud stainless steel	M4	8
K0274.0005X	stud stainless steel	M5	10/15/20
K0274.0006X	stud stainless steel	M6	10/15/20/25/30
K0274.0008X	stud stainless steel	M8	20/25/30/40



## Mini Wings

with continuous internal thread

INCH Parts METRIC Parts



Technical emotions played an important role while developing these small-sized wing grips. The result is a Miniwing that is far more than a means to an end. It is a well-planned operating and working part with finger-specific ergonomics.

**Material:**

Grip thermoplastic.  
Bushing steel 5.8 or stainless steel 1.4305.

**Type:**

Grip black gray.  
Steel blue chromate.  
Stainless steel natural finish.

**Part Number Example:**

K0658.10AE

### KIPP Mini Wings with continuous internal thread, inch

Item No.	Version	D
K0658.10AE	bushing in steel	8-32
K0658.10A1	bushing in steel	10-32
K0658.10A2	bushing in steel	1/4-20
K0658.100AE	bushing in stainless steel	8-32
K0658.100A1	bushing in stainless steel	10-32
K0658.100A2	bushing in stainless steel	1/4-20

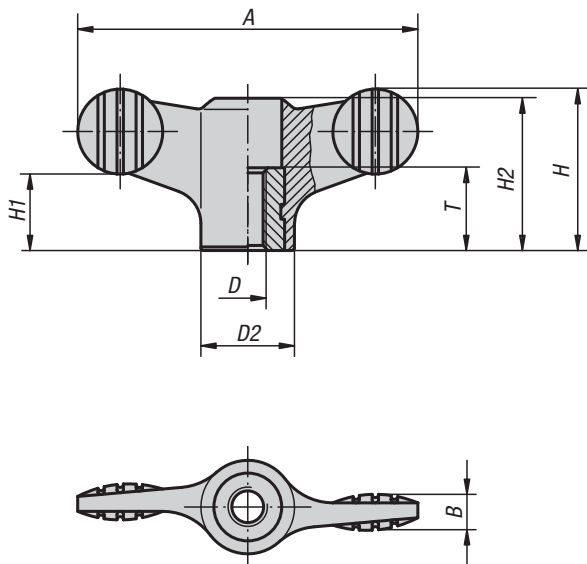
### KIPP Mini Wings with continuous internal thread, metric

Item No.	Version	D
K0658.1004	bushing in steel	M4
K0658.1005	bushing in steel	M5
K0658.1006	bushing in steel	M6
K0658.10004	bushing in stainless steel	M4
K0658.10005	bushing in stainless steel	M5
K0658.10006	bushing in stainless steel	M6

## Wing Grips

with continuous internal thread

INCH Parts    METRIC Parts



For many the modern Novo-Grip Wing Grips represent the perfect constructive and technical solution for absolutely "natural" gripping. It enables more comfortable handling than ever before.

**Material:**

Black gray thermoplastic, bushing steel 5.8 or stainless steel 1.4305.

**Type:**

Bushing steel blue chromate or stainless steel natural finish.

**Part Number Example:**

K0274.19AE

### KIPP Wing Grips with continuous internal thread, inch

Item No. bushing in steel	Item No. bushing in stainless steel	D	D2	A	B	H	H1	H2	T
K0274.19AE	K0274.109AE	8-32	12	38	4.5	18	8.5	16.1	10
K0274.19A1	K0274.109A1	10-32	12	38	4.5	18	8.5	16.1	10
K0274.19A2	K0274.109A2	1/4-20	12	38	4.5	18	8.5	16.1	10
K0274.11A1	K0274.101A1	10-32	14	50	5	24	11.5	22	10
K0274.11A2	K0274.101A2	1/4-20	14	50	5	24	11.5	22	10
K0274.12A3	K0274.102A3	5/16-18	21	75	7	35.6	17	33.3	14
K0274.12A4	K0274.102A4	3/8-16	21	75	7	35.6	17	33.3	14

### KIPP Wing Grips with continuous internal thread, metric

Item No. bushing in steel	Item No. bushing in stainless steel	D	D2	A	B	H	H1	H2	T
K0274.1904	K0274.10904	M4	12	38	4,5	18	8,5	16,1	10
K0274.1905	K0274.10905	M5	12	38	4,5	18	8,5	16,1	10
K0274.1906	K0274.10906	M6	12	38	4,5	18	8,5	16,1	10
K0274.1105	K0274.10105	M5	14	50	5	24	11,5	22	10
K0274.1106	K0274.10106	M6	14	50	5	24	11,5	22	10
K0274.1208	K0274.10208	M8	21	75	7	35,6	17	33,3	14
K0274.1210	K0274.10210	M10	21	75	7	35,6	17	33,3	14