

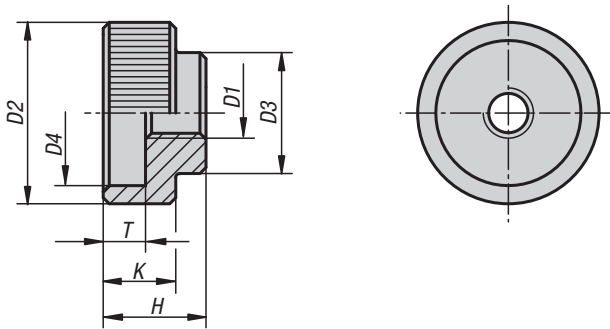
Knurled Nuts

in steel or stainless steel, DIN 6303



INCH Parts METRIC Parts

Style A
without pin hole



Material:

Free-cutting steel 1.0718.
Stainless steel 1.4305.

Type:

Free-cutting steel black oxide finish.
Stainless steel natural finish.

Part Number Example:

K0137.1A02

KIPP Knurled Nuts, in stainless steel, DIN 6303, inch

Item No.	Material	D1	D2	D3	D4	H	K	T
K0137.1A02	stainless steel	10-24	20	14	15	12	8	5
K0137.1A22	stainless steel	1/4-20	24	16	18	14	10	6
K0137.1A32	stainless steel	5/16-18	30	20	24	17	12	7
K0137.1A42	stainless steel	3/8-16	36	28	30	20	14	8
K0137.1A52	stainless steel	1/2-13	40	32	34	24	16	10

KIPP Knurled Nuts, in steel or stainless steel, DIN 6303, metric

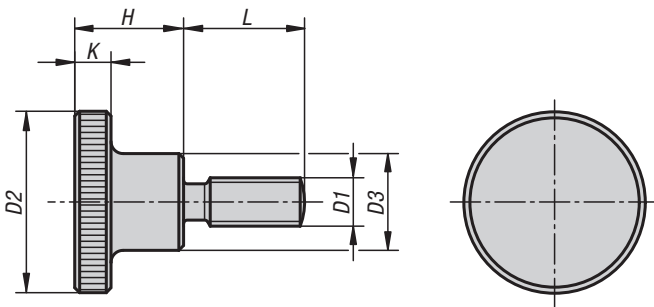
Item No.	Material	D1	D2	D3	D4	H	K	T
K0137.105	steel	M5	20	14	15	12	8	5
K0137.106	steel	M6	24	16	18	14	10	6
K0137.108	steel	M8	30	20	24	17	12	7
K0137.110	steel	M10	36	28	30	20	14	8
K0137.112	steel	M12	40	32	34	24	16	10
K0137.1052	stainless steel	M5	20	14	15	12	8	5
K0137.1062	stainless steel	M6	24	16	18	14	10	6
K0137.1082	stainless steel	M8	30	20	24	17	12	7
K0137.1102	stainless steel	M10	36	28	30	20	14	8
K0137.1122	stainless steel	M12	40	32	34	24	16	10

Knurled Thumb Screws

in steel or stainless steel, DIN 464



INCH Parts METRIC Parts



Material:

Free-cutting steel 1.0718.
Stainless steel 1.4305.

Type:

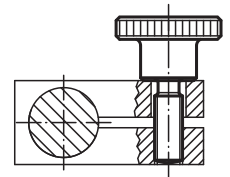
Free-cutting steel black oxide finish.
Stainless steel natural finish.

Part Number Example:

K0140.AE2X10
(include length L)

Note:

* The knurled thumb screw is supplied with shaft in this length (no thread undercut)



KIPP Knurled Thumb Screws, in stainless steel, DIN 464, inch

Item No. stainless steel	D1	D2	D3	L	H	K
K0140.AE2X	8-32	16	8	10/16/20*	9.5	3.5
K0140.A02X	10-24	20	10	10/16/20*	11.5	4
K0140.A22X	1/4-20	24	12	10/16/20/25*	15	5
K0140.A32X	5/16-18	30	16	16/20/25	18	6
K0140.A42X	3/8-16	36	20	20/25	23	8

KIPP Knurled Thumb Screws, in steel or stainless steel, DIN 464, metric

Item No. steel	Item No. stainless steel	D1	D2	D3	L	H	K
K0140.04X	K0140.042X	M4	16	8	10/16/20*	9,5	3,5
K0140.05X	K0140.052X	M5	20	10	10/16/20*	11,5	4
K0140.06X	K0140.062X	M6	24	12	10/16/20/25*	15	5
K0140.08X	K0140.082X	M8	30	16	16/20/25/30*	18	6
K0140.10X	K0140.102X	M10	36	20	20/25/30/40*	23	8

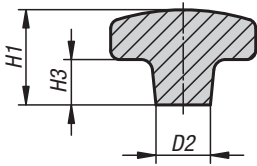
Aluminum Palm Grips

similar to DIN 6335

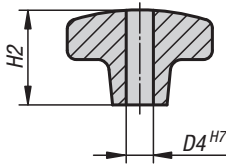
METRIC
Parts



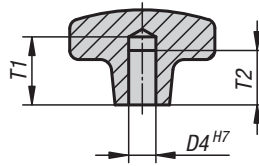
Style A
blank



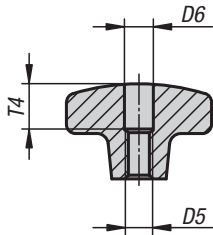
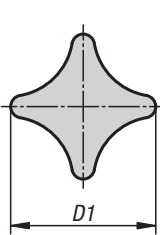
Style B
drilled through



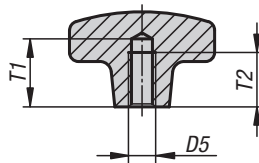
Style C
blind hole



Style D
tapped and drilled



Style E
tapped blind hole



Material:
Aluminum.

Type:
Natural finish tumbled or ground and polished.

Part Number Example:
K0145.104008

On request:
Blank palm grips (not tumbled).

Aluminum Palm Grips

similar to DIN 6335

KIPP Aluminum Palm Grips similar to DIN 6335, metric

Item No.	Version	Style	D1	D2	H1	H3
K0145.104008	tumbled	A	40	14	26	14
K0145.105010	tumbled	A	50	18	34	20
K0145.106312	tumbled	A	63	25	42	25
K0145.108016	tumbled	A	80	25	52	30

Item No. tumbled	Item No. polished	Style	D1	D2	D4	H2	H3
K0145.204008	K0145.2040082	B	40	14	8	25	14
K0145.205010	K0145.2050102	B	50	18	10	32	20
K0145.206312	K0145.2063122	B	63	25	12	40	25
K0145.208016	K0145.2080162	B	80	25	16	50	30

Item No. tumbled	Item No. polished	Style	D1	D2	D4	H1	H3	T1	T2
K0145.304008	K0145.3040082	C	40	14	8	26	14	18	15
K0145.305010	K0145.3050102	C	50	18	10	34	20	21	18
K0145.306312	K0145.3063122	C	63	25	12	42	25	25	22
K0145.308016	K0145.3080162	C	80	25	16	52	30	32	28

Item No. tumbled	Item No. polished	Style	D1	D2	D5	D6	H2	H3	T4
K0145.404008	K0145.4040082	D	40	14	M8	8,4	25	14	12
K0145.405010	K0145.4050102	D	50	18	M10	10,5	32	20	16
K0145.406312	K0145.4063122	D	63	25	M12	13	40	25	20
K0145.408016	K0145.4080162	D	80	25	M16	17	50	30	30

Item No. tumbled	Item No. polished	Style	D1	D2	D5	H1	H3	T1	T2
K0145.504008	K0145.5040082	E	40	14	M8	26	14	18	15
K0145.505010	K0145.5050102	E	50	18	M10	34	20	21	18
K0145.506312	K0145.5063122	E	63	25	M12	42	25	25	22
K0145.508016	K0145.5080162	E	80	25	M16	52	30	32	28

Palm Grips

in stainless steel similar to DIN 6335

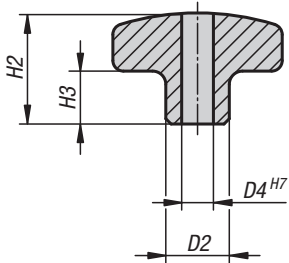


INCH Parts

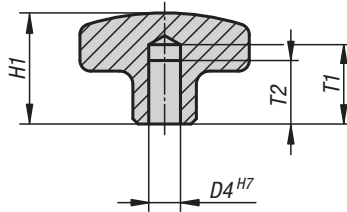
METRIC Parts



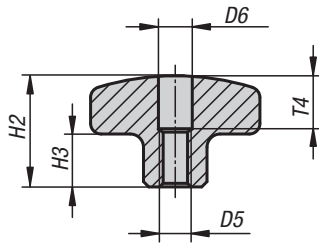
Style B
reamed through hole



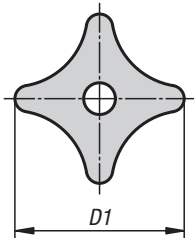
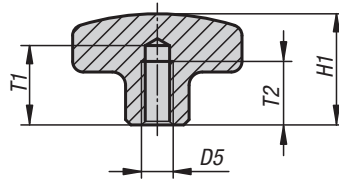
Style C
reamed blind hole



Style D
tapped with counter bore



Style E
tapped blind hole



Material:
Stainless steel 1.4308

Type:
Ground and polished

Part Number Example:
K0146.2032CM2

On request:
With external thread.

KIPP Palm Grips in stainless steel similar to DIN 6335, inch

Item No. Style B	Item No. Style C	Version	D1	D2	D4	H1	H2	H3	T1	T2
K0146.2032CM2	K0146.3032CM2	polished	32	12	.250	-.21	20/-	10	-.15	-.12
K0146.2040CN2	K0146.3040CN2	polished	40	14	.312	-.26	25/-	13	-.18	-.15
K0146.2050C02	K0146.3050C02	polished	50	18	.375	-.34	32/-	17	-.21	-.18
K0146.2063CP2	K0146.3063CP2	polished	63	20	.500	-.42	40/-	21	-.25	-.22

KIPP Palm Grips in stainless steel similar to DIN 6335, inch

Item No. Style D	Item No. Style E	Version	D1	D2	D5	D6	H1	H2	H3	T1	T2	T4
K0146.4032A22	K0146.5032A22	polished	32	12	1/4-20	6.4/-	-.21	20/-	10	-.15	-.12	10/-
K0146.4040A32	K0146.5040A32	polished	40	14	5/16-18	8.4/-	-.26	25/-	13	-.18	-.15	12/-
K0146.4050A42	K0146.5050A42	polished	50	18	3/8-16	10.5/-	-.34	32/-	17	-.21	-.18	16/-
K0146.4063A52	K0146.5063A52	polished	63	20	1/2-13	13/-	-.42	40/-	21	-.25	-.22	20/-

Palm Grips

in stainless steel similar to DIN 6335



KIPP Palm Grips in stainless steel similar to DIN 6335, metric

Item No. Style B	Item No. Style C	Version	D1	D2	D4	H1	H2	H3	T1	T2
K0146.2032062	K0146.3032062	polished	32	12	6	-/21	20/-	10	-/15	-/12
K0146.2040082	K0146.3040082	polished	40	14	8	-/26	25/-	13	-/18	-/15
K0146.2050102	K0146.3050102	polished	50	18	10	-/34	32/-	17	-/21	-/18
K0146.2063122	K0146.3063122	polished	63	20	12	-/42	40/-	21	-/25	-/22

KIPP Palm Grips in stainless steel similar to DIN 6335, metric

Item No. Style D	Item No. Style E	Version	D1	D2	D5	D6	H1	H2	H3	T1	T2	T4
K0146.4032062	K0146.5032062	polished	32	12	M6	6,4/-	-/21	20/-	10	-/15	-/12	10/-
K0146.4040082	K0146.5040082	polished	40	14	M8	8,4/-	-/26	25/-	13	-/18	-/15	12/-
K0146.4050102	K0146.5050102	polished	50	18	M10	10,5/-	-/34	32/-	17	-/21	-/18	16/-
K0146.4063122	K0146.5063122	polished	63	20	M12	13/-	-/42	40/-	21	-/25	-/22	20/-

Palm Grips

gray cast iron DIN 6335



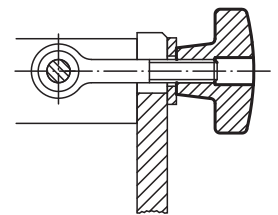
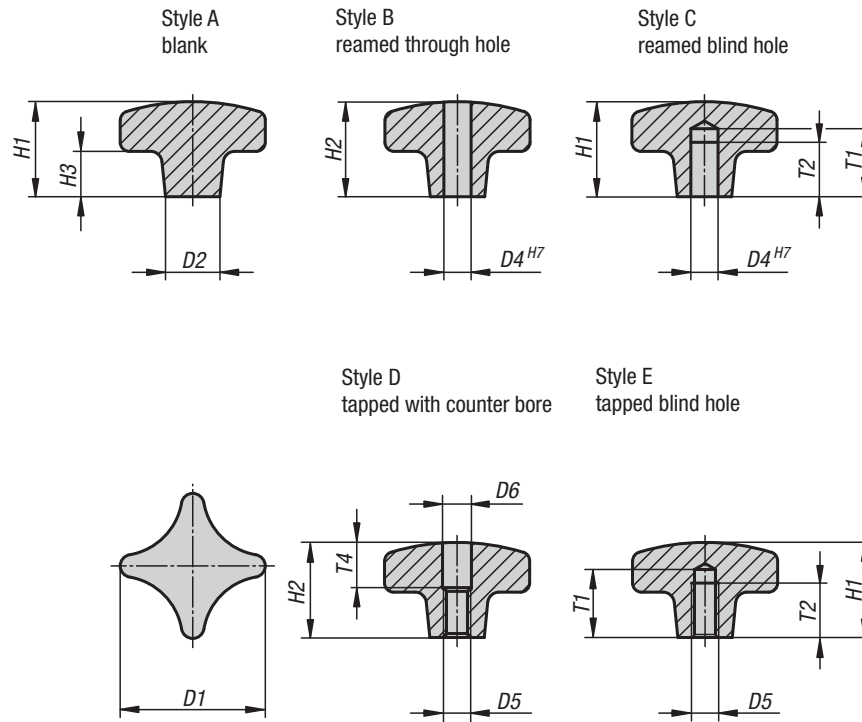
INCH Parts METRIC Parts



Material:
Gray cast iron GJL 200

Type:
All styles have a natural tumbled finish.

Part Number Example:
K0147.2CM



KIPP Palm Grips gray cast iron DIN 6335, style B, inch

Item No.	Version	Style	D1	D2	D4	H2	H3
K0147.2CM	tumbled	B	32	12	.250	20	10
K0147.2CN	tumbled	B	40	14	.312	25	14
K0147.2CO	tumbled	B	50	18	.375	32	20
K0147.2CP	tumbled	B	63	20	.500	40	25
K0147.2CQ	tumbled	B	80	25	.625	50	30
K0147.2CR	tumbled	B	100	32	.750	63	38

KIPP Palm Grips gray cast iron DIN 6335, inch

Item No. Style C	Item No. Style D	Item No. Style E	Version	D1	D2	D4	D5	D6	H1	H2	H3	T1	T2	T4
K0147.3CM	K0147.4A2	K0147.5A2	tumbled	32	12	.250/-	- 1/4-20 1/4-20	-.6.4/-	21/-/21	-.20/-	10	-.15/15	-.12/12	-.10/-
K0147.3CN	K0147.4A3	K0147.5A3	tumbled	40	14	.312/-	- 5/16-18 5/16-18	-.8.4/-	26/-/26	-.25/-	14	-.18/18	-.15/15	-.12/-
K0147.3CO	K0147.4A4	K0147.5A4	tumbled	50	18	.375/-	- 3/8-16 3/8-16	-.10.5/-	34/-/34	-.32/-	20	-.21/21	-.18/18	-.16/-
K0147.3CP	K0147.4A5	K0147.5A5	tumbled	63	20	.500/-	- 1/2-13 1/2-13	-.13/-	42/-/42	-.40/-	25	-.25/25	-.22/22	-.20/-
K0147.3CQ	K0147.4A6	K0147.5A6	tumbled	80	25	.625/-	- 5/8-11 5/8-11	-.17/-	52/-/52	-.50/-	30	-.32/32	-.28/28	-.30/-
K0147.3CR	K0147.4A7	K0147.5A7	tumbled	100	32	.750/-	- 3/4-10 3/4-10	-.21/-	65/-/65	-.63/-	38	-.40/40	-.36/36	-.38/-

Palm Grips

gray cast iron DIN 6335



KIPP Palm Grips gray cast iron DIN 6335, metric

Item No. Style A	Item No. Style B	Version	D1	D2	D4	H1	H2	H3
K0147.106	K0147.206	tumbled	32	12	-/6	21/-	-/20	10
K0147.108	K0147.208	tumbled	40	14	-/8	26/-	-/25	14
K0147.110	K0147.210	tumbled	50	18	-/10	34/-	-/32	20
K0147.112	K0147.212	tumbled	63	20	-/12	42/-	-/40	25
K0147.116	K0147.216	tumbled	80	25	-/16	52/-	-/50	30
K0147.120	K0147.220	tumbled	100	32	-/20	65/-	-/63	38

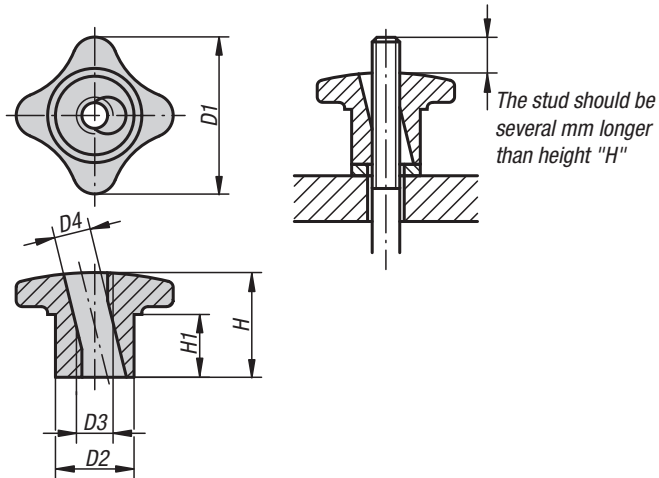
KIPP Palm Grips gray cast iron DIN 6335, metric

Item No. Style C	Item No. Style D	Item No. Style E	Version	D1	D2	D4	D5	D6	H1	H2	H3	T1	T2	T4
K0147.306	K0147.406	K0147.506	tumbled	32	12	6/-/	-/M6/M6	-/6,4/-	21/-/21	-/20/-	10	15/-/15	12/-/12	-/10/-
K0147.308	K0147.408	K0147.508	tumbled	40	14	8/-/	-/M8/M8	-/8,4/-	26/-/26	-/25/-	14	18/-/18	15/-/15	-/12/-
K0147.310	K0147.410	K0147.510	tumbled	50	18	10/-/	-/M10/M10	-/10,5/-	32/-/32	-/32/-	20	21/-/21	18/-/18	-/16/-
K0147.312	K0147.412	K0147.512	tumbled	63	20	12/-/	-/M12/M12	-/13/-	42/-/42	-/40/-	25	25/-/25	22/-/22	-/20/-
K0147.316	K0147.416	K0147.516	tumbled	80	25	16/-/	-/M16/M16	-/17/-	52/-/52	-/50/-	30	32/-/32	28/-/28	-/30/-
K0147.320	K0147.420	K0147.520	tumbled	100	32	20/-/	-/M20/M20	-/21/-	65/-/65	-/63/-	38	40/-/40	36/-/36	-/38/-

Quick-fastening Palm Grips

in gray cast iron

METRIC
Parts



Material:

Gray cast iron GJL 300

Type:

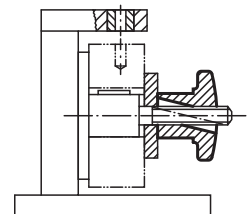
Tumbled

Part Number Example:

K0683.08

Note:

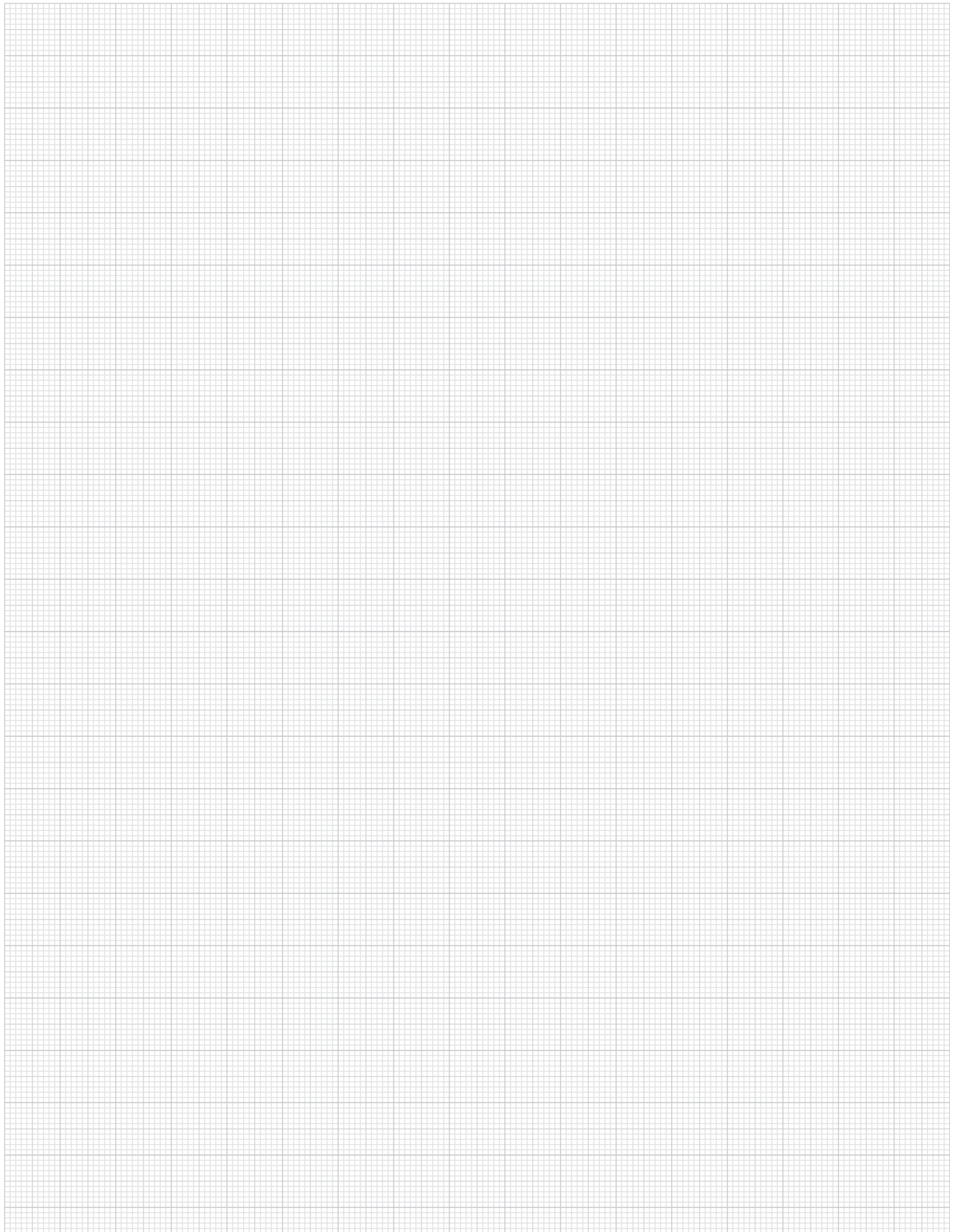
Quick-acting palm grips can be used on all fixtures that do not require a high clamping force. Tilt the grip to slide on, then straighten it to engage the threads.



KIPP Quick-fastening Palm Grips in gray cast iron, metric

Item No.	D1	D2	D3	D4	H	H1
K0683.06	30	15	M6	7	20	10
K0683.08	40	18	M8	9,4	25	14
K0683.10	50	21	M10	11,3	30	16
K0683.12	60	26	M12	13,1	35	19
K0683.14	70	30	M14	15,6	40	22
K0683.16	80	34	M16	17,6	45	25

Notes:



Aluminum Star Grips

similar to DIN 6336

METRIC
Parts

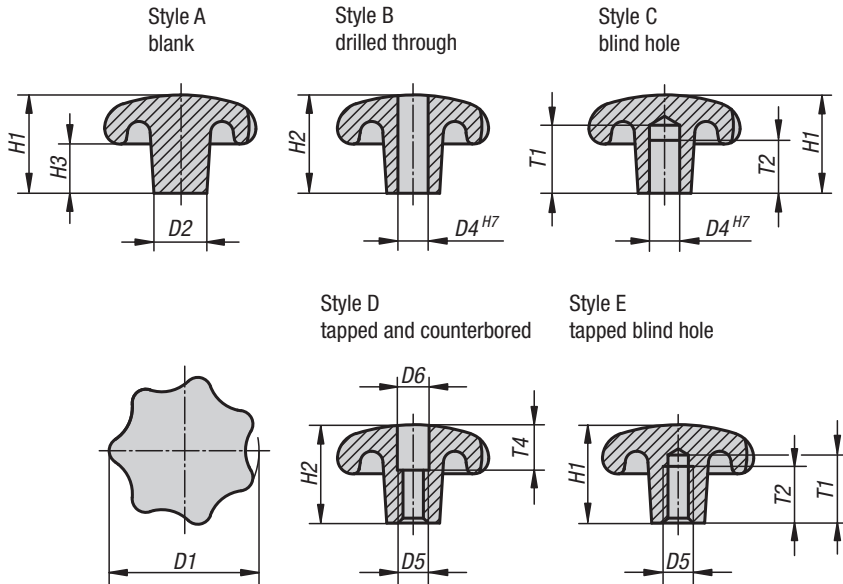


Material:
Aluminum.

Type:
Natural finish tumbled or ground and polished.

Part Number Example:
K0149.14008

On request:
Blank star grips (not tumbled).



Aluminum Star Grips

similar to DIN 6336



KIPP Aluminum star grips similar to DIN 6336, metric

Item No.	Version	Style	D1	D2	H1	H3
K0149.14008	tumbled	A	40	14	26	13
K0149.15010	tumbled	A	50	18	34	17
K0149.16312	tumbled	A	63	20	42	21
K0149.18016	tumbled	A	80	25	52	25

Item No. tumbled	Item No. polished	Style	D1	D2	D4	H2	H3
K0149.24008	K0149.240082	B	40	14	8	25	13
K0149.25010	K0149.250102	B	50	18	10	32	17
K0149.26312	K0149.263122	B	63	20	12	40	21
K0149.28016	K0149.280162	B	80	25	16	50	25

Item No. tumbled	Item No. polished	Style	D1	D2	D4	H1	H3	T1	T2
K0149.34008	K0149.340082	C	40	14	8	26	13	18	15
K0149.35010	K0149.350102	C	50	18	10	34	17	21	18
K0149.36312	K0149.363122	C	63	20	12	42	21	25	22
K0149.38016	K0149.380162	C	80	25	16	52	25	32	28

Item No. tumbled	Item No. polished	Style	D1	D2	D5	D6	H2	H3	T4
K0149.44008	K0149.440082	D	40	14	M8	8,4	25	13	12
K0149.45010	K0149.450102	D	50	18	M10	10,5	32	17	16
K0149.46312	K0149.463122	D	63	20	M12	13	40	21	20
K0149.48016	K0149.480162	D	80	25	M16	17	50	25	30

Item No. tumbled	Item No. polished	Style	D1	D2	D5	H1	H3	T1	T2
K0149.54008	K0149.540082	E	40	14	M8	26	13	18	15
K0149.55010	K0149.550102	E	50	18	M10	34	17	21	18
K0149.56312	K0149.563122	E	63	20	M12	42	21	25	22
K0149.58016	K0149.580162	E	80	25	M16	52	25	32	28

Star Grips

in stainless steel similar to DIN 6336

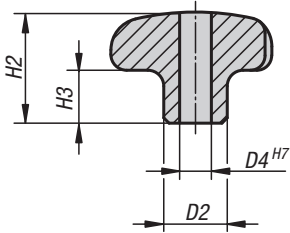


INCH Parts

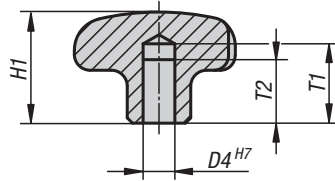
METRIC Parts



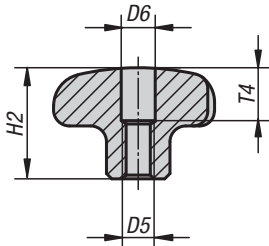
Style B
reamed through hole



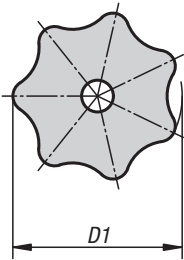
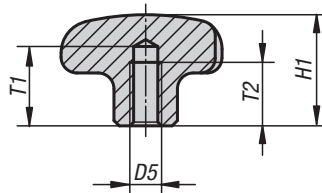
Style C
reamed blind hole



Style D
tapped with counter bore



Style E
tapped blind hole



Material:
Stainless steel 1.4308

Type:
Ground and polished

Part Number Example:
K0150.232CM2

KIPP Star Grips in stainless steel similar to DIN 6336, inch

Item No. Style B	Item No. Style C	Version	D1	D2	D4	H1	H2	H3	T1	T2
K0150.232CM2	K0150.332CM2	polished	32	12	.250	-.21	20/-	10	-.15	-.12
K0150.240CN2	K0150.340CN2	polished	40	14	.312	-.26	25/-	13	-.18	-.15
K0150.250C02	K0150.350C02	polished	50	18	.375	-.34	32/-	17	-.21	-.18
K0150.263CP2	K0150.363CP2	polished	63	20	.500	-.42	40/-	21	-.25	-.22

KIPP Star Grips in stainless steel similar to DIN 6336, inch

Item No. Style D	Item No. Style E	Version	D1	D2	D5	D6	H1	H2	H3	T1	T2	T4
K0150.432A22	K0150.532A22	polished	32	12	1/4-20	6.4/-	-.21	20/-	10	-.15	-.12	10/-
K0150.440A32	K0150.540A32	polished	40	14	5/16-18	8.4/-	-.26	25/-	13	-.18	-.15	12/-
K0150.450A42	K0150.550A42	polished	50	18	3/8-16	10.5/-	-.34	32/-	17	-.21	-.18	16/-
K0150.463A52	K0150.563A52	polished	63	20	1/2-13	13/-	-.42	40/-	21	-.25	-.22	20/-

Star Grips

in stainless steel similar to DIN 6336



KIPP Star Grips in stainless steel similar to DIN 6336, metric

Item No. Style B	Item No. Style C	Version	D1	D2	D4	H1	H2	H3	T1	T2
K0150.232062	K0150.332062	polished	32	12	6	-/21	20/-	10	-/15	-/12
K0150.240082	K0150.340082	polished	40	14	8	-/26	25/-	13	-/18	-/15
K0150.250102	K0150.350102	polished	50	18	10	-/34	32/-	17	-/21	-/18
K0150.263122	K0150.363122	polished	63	20	12	-/42	40/-	21	-/25	-/22

KIPP Star Grips in stainless steel similar to DIN 6336, metric

Item No. Style D	Item No. Style E	Version	D1	D2	D5	D6	H1	H2	H3	T1	T2	T4
K0150.432062	K0150.532062	polished	32	12	M6	6,4/-	-/21	20/-	10	-/15	-/12	10/-
K0150.440082	K0150.540082	polished	40	14	M8	8,4/-	-/26	25/-	13	-/18	-/15	12/-
K0150.450102	K0150.550102	polished	50	18	M10	10,5/-	-/34	32/-	17	-/21	-/18	16/-
K0150.463122	K0150.563122	polished	63	20	M12	13/-	-/42	40/-	21	-/25	-/22	20/-

Star Grips

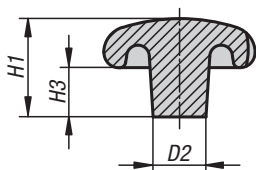
gray cast iron DIN 6336



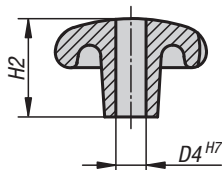
METRIC Parts INCH Parts



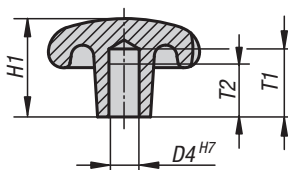
Style A blank



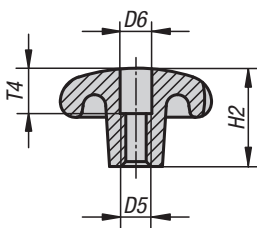
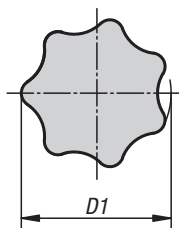
Style B reamed through hole



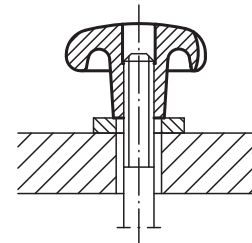
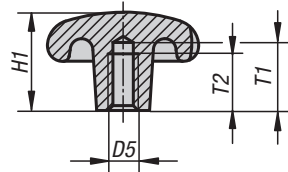
Style C reamed blind hole



Style D tapped with counter bore



Style E tapped blind hole



Material:

Gray cast iron GJL 200

Type:

All styles have a natural tumbled finish.

Part Number Example:

K0151.2CM

On request:

Gray Cast Iron Star Grips black powder-coated.

KIPP Star Grips gray cast iron DIN 6336, style B, inch

Item No.	Style	Version	D1	D2	D4	H2	H3
K0151.2CM	B	tumbled	32	12	.250	20	10
K0151.2CN	B	tumbled	40	14	.312	25	13
K0151.2CO	B	tumbled	50	18	.375	32	17
K0151.2CP	B	tumbled	63	20	.500	40	21
K0151.2CQ	B	tumbled	80	25	.625	50	25

KIPP Star Grips gray cast iron DIN 6336, inch

Item No. Style C	Item No. Style D	Item No. Style E	Version	D1	D2	D4	D5	D6	H1	H2	H3	T1	T2	T4
K0151.3CM	K0151.4A2	K0151.5A2	tumbled	32	12	.250/-/	- 1/4-20 5/8-11	-.6.4/-	21/-/52	-.20/-	10	-.15/32	-.12/28	-.10/-
K0151.3CN	K0151.4A3	K0151.5A3	tumbled	40	14	.312/-/	- 5/16-18 5/16-18	-.8.4/-	26/-/26	-.25/-	13	-.18/18	-.15/15	-.12/-
K0151.3CO	K0151.4A4	K0151.5A4	tumbled	50	18	.375/-/	- 3/8-16 3/8-16	-.10.5/-	34/-/34	-.32/-	17	-.21/21	-.18/18	-.16/-
K0151.3CP	K0151.4A5	K0151.5A5	tumbled	63	20	.500/-/	- 1/2-13 1/2-13	-.13/-	42/-/42	-.40/-	21	-.25/25	-.22/22	-.20/-
K0151.3CQ	K0151.4A6	K0151.5A6	tumbled	80	25	.625/-/	- 5/8-11 5/8-11	-.17/-	52/-/52	-.50/-	25	-.32/32	-.28/28	-.30/-

Star Grips

gray cast iron DIN 6336



KIPP Star Grips gray cast iron DIN 6336, metric

Item No. Style A	Item No. Style B	Version	D1	D2	D4	H1	H2	H3
K0151.106	K0151.206	tumbled	32	12	-/6	21/-	-/20	10
K0151.108	K0151.208	tumbled	40	14	-/8	26/-	-/25	13
K0151.110	K0151.210	tumbled	50	18	-/10	34/-	-/32	17
K0151.112	K0151.212	tumbled	63	20	-/12	42/-	-/40	21
K0151.116	K0151.216	tumbled	80	25	-/16	52/-	-/50	25

KIPP Star Grips gray cast iron DIN 6336, metric

Item No. Style C	Item No. Style D	Item No. Style E	Version	D1	D2	D4	D5	D6	H1	H2	H3	T1	T2	T4
K0151.306	K0151.406	K0151.506	tumbled	32	12	6/-/	-/M6/M6	-/6,4/-	21/-/21	-/20/-	10	15/-/15	12/-/12	-/10/-
K0151.308	K0151.408	K0151.508	tumbled	40	14	8/-/	-/M8/M8	-/8,4/-	26/-/26	-/25/-	13	18/-/18	15/-/15	-/12/-
K0151.310	K0151.410	K0151.510	tumbled	50	18	10/-/	-/M10/M10	-/10,5/-	34/-/34	-/32/-	17	21/-/21	18/-/18	-/16/-
K0151.312	K0151.412	K0151.512	tumbled	63	20	12/-/	-/M12/M12	-/13/-	42/-/42	-/40/-	21	25/-/25	22/-/22	-/20/-
K0151.316	K0151.416	K0151.516	tumbled	80	25	16/-/	-/M16/M16	-/17/-	52/-/52	-/50/-	25	32/-/32	28/-/28	-/30/-

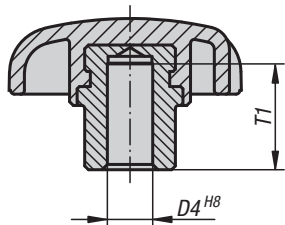
Star Grips

with plain steel bushing

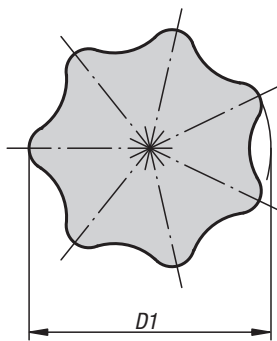
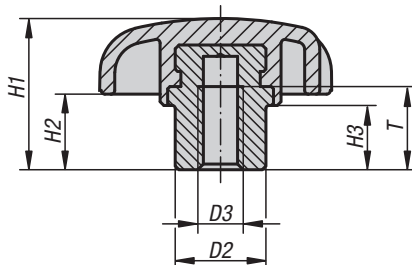


INCH Parts
METRIC Parts

Style H
reamed blind hole



Style K
tapped blind hole



Material:
Black thermoplastic.
Steel quality class 5.8 or stainless steel 1.4305.

Type:
Steel parts blue chromate or
stainless steel natural finish.

Part Number Example:
K0153.1CL

Note:
Star Grips with plain steel bushing are particularly
suitable for cross pin and set screw applications.

KIPP Star Grips, with plain steel bushing, style H, inch

Item No.	Style	D4	T1	D1	D2	H1	H2	H3
K0153.1CL	H	.188	9.5	25	10	16	8	6
K0153.1CM	H	.250	12	32	12	20	10	8.5
K0153.1CM1	H	.250	14	40	13.5	25	13	10
K0153.1CN	H	.312	14	40	13.5	25	13	10
K0153.1CN1	H	.312	18	50	19	32	17	12
K0153.1CO	H	.375	18	50	19	32	17	12
K0153.1CO1	H	.375	22	63	19	40	21	15
K0153.1CP	H	.500	22	63	19	40	21	15
K0153.1CQ	H	.625	22	63	23	40	21	15

KIPP Star Grips, with plain steel bushing, style K, inch

Item No.	Style	D3	T	D1	D2	H1	H2	H3
K0153.2A1	K	10-32	8.5	25	10	16	8	6
K0153.2A2	K	1/4-20	12	32	12	20	10	8.5
K0153.2A21	K	1/4-20	14	40	13.5	25	13	10
K0153.2A3	K	5/16-18	14	40	13.5	25	13	10
K0153.2A31	K	5/16-18	18	50	19	32	17	12
K0153.2A4	K	3/8-16	18	50	19	32	17	12
K0153.2A41	K	3/8-16	22	63	19	40	21	15
K0153.2A5	K	1/2-13	22	63	19	40	21	15
K0153.2A6	K	5/8-11	22	63	23	40	21	15

Star Grips

with plain steel bushing



KIPP Star Grips, with plain steel bushing, style H, metric

Item No.	Version	Style	D4	T1	D1	D2	H1	H2	H3
K0153.105	bushing steel	H	5	9,5	25	10	16	8	6
K0153.106	bushing steel	H	6	12	32	12	20	10	8,5
K0153.1061	bushing steel	H	6	14	40	13,5	25	13	10
K0153.108	bushing steel	H	8	14	40	13,5	25	13	10
K0153.1081	bushing steel	H	8	18	50	19	32	17	12
K0153.110	bushing steel	H	10	18	50	19	32	17	12
K0153.1101	bushing steel	H	10	22	63	19	40	21	15
K0153.112	bushing steel	H	12	22	63	19	40	21	15
K0153.116	bushing steel	H	16	22	63	23	40	21	15

KIPP Star Grips, with plain steel bushing, style K, metric

Item No.	Version	Style	D3	T	D1	D2	H1	H2	H3
K0153.205	bushing steel	K	M5	8,5	25	10	16	8	6
K0153.206	bushing steel	K	M6	12	32	12	20	10	8,5
K0153.2061	bushing steel	K	M6	14	40	13,5	25	13	10
K0153.208	bushing steel	K	M8	14	40	13,5	25	13	10
K0153.2081	bushing steel	K	M8	18	50	19	32	17	12
K0153.210	bushing steel	K	M10	18	50	19	32	17	12
K0153.2101	bushing steel	K	M10	22	63	19	40	21	15
K0153.212	bushing steel	K	M12	22	63	19	40	21	15
K0153.216	bushing steel	K	M16	22	63	23	40	21	15
K0153.305	bushing stainless steel	K	M5	8,5	25	10	16	8	6
K0153.306	bushing stainless steel	K	M6	12	32	12	20	10	8,5
K0153.3061	bushing stainless steel	K	M6	14	40	13,5	25	13	10
K0153.308	bushing stainless steel	K	M8	14	40	13,5	25	13	10
K0153.3081	bushing stainless steel	K	M8	18	50	19	32	17	12
K0153.310	bushing stainless steel	K	M10	18	50	19	32	17	12
K0153.3101	bushing stainless steel	K	M10	22	63	19	40	21	15
K0153.312	bushing stainless steel	K	M12	22	63	19	40	21	15
K0153.316	bushing stainless steel	K	M16	22	63	23	40	21	15

Star Grips

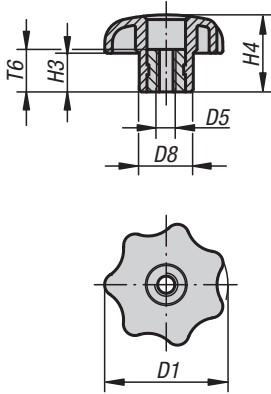
steel parts in stainless steel similar to DIN 6336



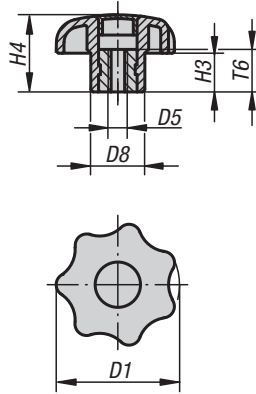
INCH Parts

METRIC Parts

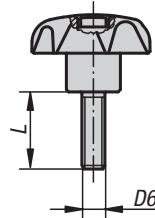
Style D
tapped through hole
without cap



Style K
tapped blind hole
with cap



Style L
with external thread



Material:

Black thermoplastic,
bushing and threaded bolt stainless steel 1.4305

Type:

Bushing and threaded bolt natural finish

Part Number Example:

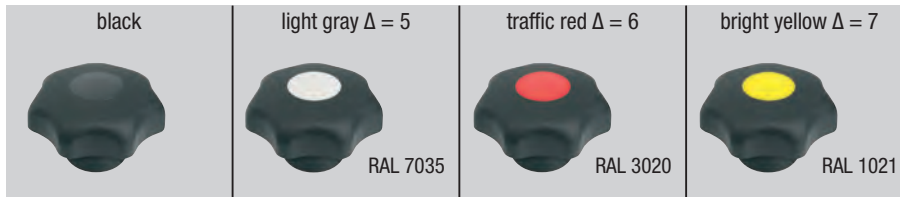
K0154.4A17X10
(cap color bright yellow; include length L)

Note:

Δ Add the desired cap color here; no color code is required for black caps.

On request:

Other colors or designs, such as company logo.



KIPP Star Grips, steel parts in stainless steel similar to DIN 6336, internal thread, style D, inch

Item No.	Style	D1	D5	D8	H3	H4	T6
K0154.5A1	D	25	10-32	12	8	16	10
K0154.5A2	D	32	1/4-20	14	10	20	10
K0154.5A3	D	40	5/16-18	18	13	25	14
K0154.5A4	D	50	3/8-16	22	17	32	14
K0154.5A5	D	63	1/2-13	26	21	40	18

Star Grips

steel parts in stainless steel similar to DIN 6336



KIPP Star Grips, steel parts in stainless steel similar to DIN 6336, internal thread, style K, inch

Item No.	Style	D1	D5	D8	H3	H4	T6
K0154.2A1Δ	K	25	10-32	12	8	16	10
K0154.2A2Δ	K	32	1/4-20	14	10	20	10
K0154.2A3Δ	K	40	5/16-18	18	13	25	14
K0154.2A4Δ	K	50	3/8-16	22	17	32	14
K0154.2A5Δ	K	63	1/2-13	26	21	40	18

KIPP Star Grips, steel parts in stainless steel similar to DIN 6336, external thread, style L, inch

Item No.	Style	D1	D6	D8	H3	H4	L
K0154.4A1ΔX	L	25	10-32	12	8	16	10/20
K0154.4A2ΔX	L	32	1/4-20	14	10	20	20/30
K0154.4A3ΔX	L	40	5/16-18	18	13	25	20/40
K0154.4A4ΔX	L	50	3/8-16	22	17	32	20/40

KIPP Star Grips, steel parts in stainless steel similar to DIN 6336, internal thread, style D, metric

Item No.	Style	D1	D5	D8	H3	H4	T6
K0154.505	D	25	M5	12	8	16	10
K0154.506	D	32	M6	14	10	20	10
K0154.508	D	40	M8	18	13	25	14
K0154.510	D	50	M10	22	17	32	14
K0154.512	D	63	M12	26	21	40	18

KIPP Star Grips, steel parts in stainless steel similar to DIN 6336, internal thread, style K, metric

Item No.	Style	D1	D5	D8	H3	H4	T6
K0154.205Δ	K	25	M5	12	8	16	10
K0154.206Δ	K	32	M6	14	10	20	10
K0154.208Δ	K	40	M8	18	13	25	14
K0154.210Δ	K	50	M10	22	17	32	14
K0154.212Δ	K	63	M12	26	21	40	18

KIPP Star Grips, steel parts in stainless steel similar to DIN 6336, external thread, style L, metric

Item No.	Style	D1	D6	D8	H3	H4	L
K0154.405ΔX	L	25	M5	12	8	16	15/20
K0154.406ΔX	L	32	M6	14	10	20	20/30
K0154.408ΔX	L	40	M8	18	13	25	15/20/25/30/40/60
K0154.410ΔX	L	50	M10	22	17	32	25/30/40/50/60

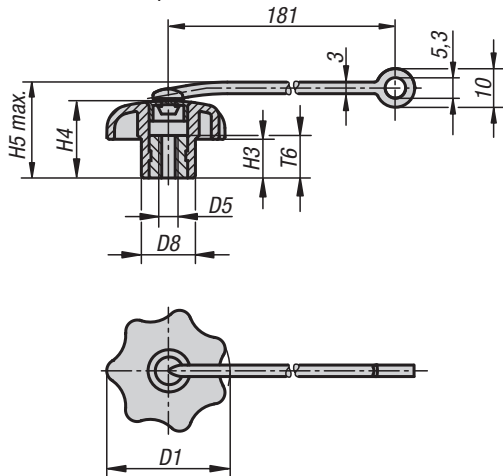
Star Grips with safety lanyard

similar to DIN 6336, steel parts in stainless steel

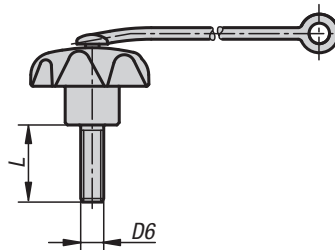
METRIC
Parts



Style KS
tapped blind hole
with cap



Style LS
with external thread



Material:

Grip thermoplastic.
Bushing and screw stainless steel 1.4305.
Safety lanyard elastic TPU.

Type:

Bushing and threaded bolt natural finish

Part Number Example:

K0154.7056X15
(cap color traffic red; include length L)

Note:

Δ Add the desired cap color here. No color code is required with a black cap color.

With the safety lanyard, the star grip can be attached to a base to make it unlosable.

The star grip remains in the immediate vicinity of the object.

This simplifies assembly / dismantling of the star grip and safer against loss.

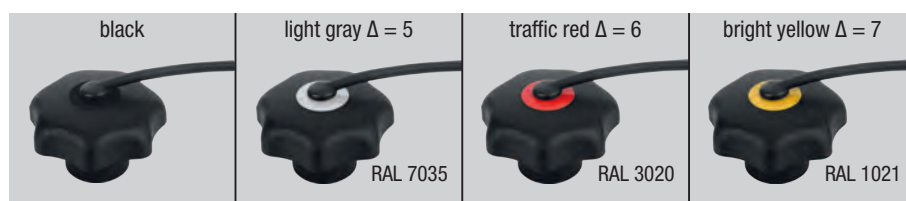
Assembly:

Do not stretch the lanyard during assembly.

Make sure that the anchor is not too far from where the star grip is to be used.

Accessories:

The safety lanyard is also available as an accessory, see K0743.04190.



KIPP Star grips with safety lanyard, steel parts in stainless steel, internal thread, style KS, metric

Item No.	Style	D1	D5	D8	H3	H4	H5 max.	T6
K0154.605Δ	KS	25	M5	12	8	16	22	10
K0154.606Δ	KS	32	M6	14	10	20	26	10
K0154.608Δ	KS	40	M8	18	13	25	31	14
K0154.610Δ	KS	50	M10	22	17	32	38	14
K0154.612Δ	KS	63	M12	26	21	40	46	18

KIPP Star grips with safety lanyard, steel parts in stainless steel, external thread, style LS, metric

Item No.	Style	D1	D6	D8	H3	H4	H5 max.	L
K0154.705ΔX	LS	25	M5	12	8	16	22	15/20
K0154.706ΔX	LS	32	M6	14	10	20	26	20/30
K0154.708ΔX	LS	40	M8	18	13	25	31	15/20/25/30/40/60
K0154.710ΔX	LS	50	M10	22	17	32	38	25/30/40/50/60

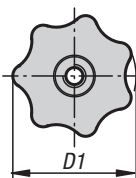
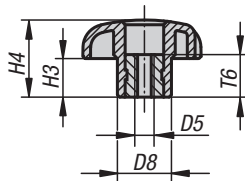
Star Grips

similar to DIN 6336

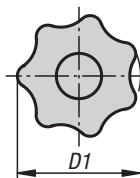
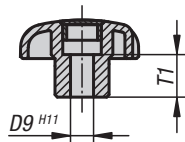


INCH
Parts

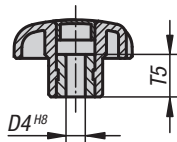
Style D
tapped through hole
without cap



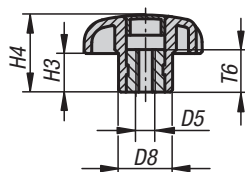
Style G
blind reamed hole
no bushing



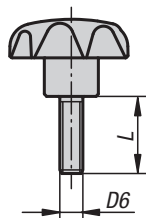
Style H
blind reamed hole
with bushing



Style K
tapped blind hole
with cap



Style L
with external thread



Material:

Black thermoplastic,
bushing and threaded bolt in steel

Type:

Bushing and threaded bolt galvanized
and blue chromate finish.

Part Number Example:

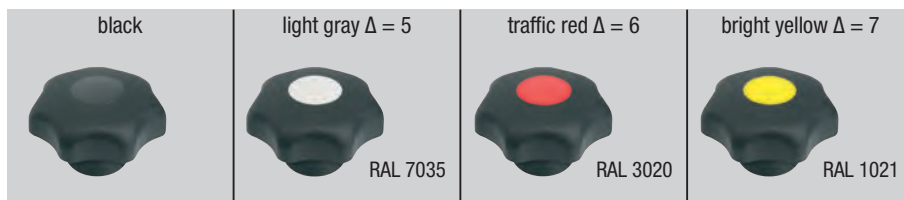
K0155.4A17X10
(cap color bright yellow; include length L)

Note:

Δ Add the desired cap color here; no color code is
required for black caps.

On request:

Other colors or designs, such as company logo.



KIPP Star Grips, similar to DIN 6336, internal thread, style D, inch

Item No.	Style	D1	D5	D8	H3	H4	T6
K0155.5AE	D	25	8-32	12	8	16	10
K0155.5A1	D	25	10-32	12	8	16	10
K0155.5A21	D	25	1/4-20	12	8	16	10
K0155.5A11	D	32	10-32	14	10	20	10
K0155.5A2	D	32	1/4-20	14	10	20	10
K0155.5A3	D	40	5/16-18	18	13	25	14
K0155.5A41	D	40	3/8-16	18	13	25	14
K0155.5A31	D	50	5/16-18	22	17	32	14
K0155.5A4	D	50	3/8-16	22	17	32	14
K0155.5A51	D	50	1/2-13	22	17	32	18
K0155.5A42	D	63	3/8-16	26	21	40	14
K0155.5A5	D	63	1/2-13	26	21	40	18
K0155.5A6	D	63	5/8-11	26	21	40	18

Star Grips

similar to DIN 6336



KIPP Star Grips, similar to DIN 6336, internal thread, style K, inch

Item No.	Style	D1	D5	D8	H3	H4	T6
K0155.2AEΔ	K	25	8-32	12	8	16	10
K0155.2A1Δ	K	25	10-32	12	8	16	10
K0155.2A21Δ	K	25	1/4-20	12	8	16	10
K0155.2A11Δ	K	32	10-32	14	10	20	10
K0155.2A2Δ	K	32	1/4-20	14	10	20	10
K0155.2A3Δ	K	40	5/16-18	18	13	25	14
K0155.2A41Δ	K	40	3/8-16	18	13	25	14
K0155.2A31Δ	K	50	5/16-18	22	17	32	14
K0155.2A4Δ	K	50	3/8-16	22	17	32	14
K0155.2A51Δ	K	50	1/2-13	22	17	32	18
K0155.2A42Δ	K	63	3/8-16	26	21	40	14
K0155.2A5Δ	K	63	1/2-13	26	21	40	18
K0155.2A6Δ	K	63	5/8-11	26	21	40	18

KIPP Star Grips, similar to DIN 6336, reamed hole, style G and H, inch

Item No. Style G	Item No. Style H	D1	D4	D8	D9	H3	H4	T1	T5
K0155.3CLΔ	K0155.1CLΔ	25	-.188	12	.188/-	8	16	10/-	-/10
K0155.3CMΔ	K0155.1CMΔ	32	-.250	14	.250/-	10	20	10/-	-/10
K0155.3CNΔ	K0155.1CNΔ	40	-.312	18	.312/-	13	25	14/-	-/14
K0155.3COΔ	K0155.1COΔ	50	-.375	22	.375/-	17	32	14/-	-/14
-	K0155.1CO1Δ	63	.375	26	-	21	40	-	14
K0155.3CPΔ	K0155.1CPΔ	63	-.500	26	.500/-	21	40	18/-	-/18

KIPP Star Grips, similar to DIN 6336, external thread, style L, inch

Item No.	Style	D1	D6	D8	H3	H4	L
K0155.4A1ΔX	L	25	10-32	12	8	16	10/20
K0155.4A2ΔX	L	25	1/4-20	12	8	16	20/30
K0155.4A21ΔX	L	32	1/4-20	14	10	20	20/30
K0155.4A3ΔX	L	32	5/16-18	14	10	20	20/40
K0155.4A31ΔX	L	40	5/16-18	18	13	25	20/40
K0155.4A4ΔX	L	40	3/8-16	18	13	25	20/40
K0155.4A41ΔX	L	50	3/8-16	22	17	32	20/40
K0155.4A5ΔX	L	50	1/2-13	22	17	32	30/60
K0155.4A42ΔX	L	63	3/8-16	26	21	40	20/40
K0155.4A51ΔX	L	63	1/2-13	26	21	40	30/60

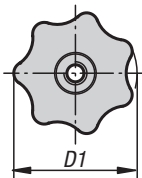
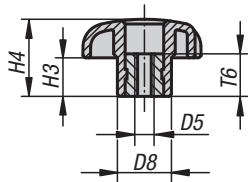
Star Grips

similar to DIN 6336

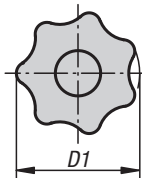
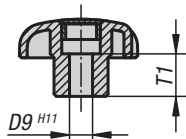


METRIC
Parts

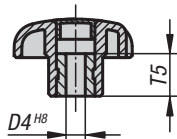
Style D
tapped through hole
without cap



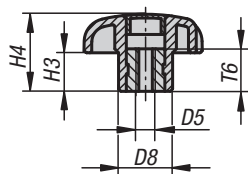
Style G
blind reamed hole
no bushing



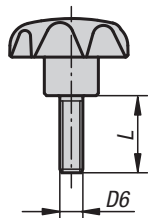
Style H
blind reamed hole
with bushing



Style K
tapped blind hole
with cap



Style L
with external thread



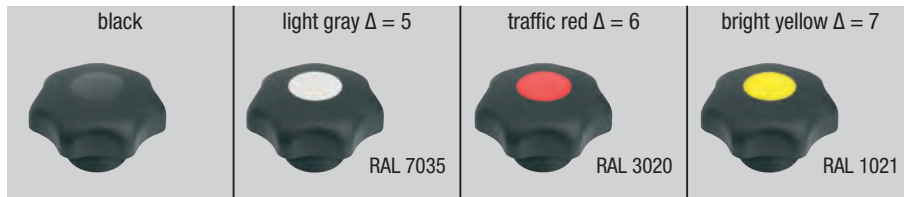
Material:
Black thermoplastic,
bushing and threaded bolt in steel

Type:
Bushing and threaded bolt galvanized
and blue chromate finish.

Part Number Example:
K0155.4127X30 (cap color bright yellow;
include length L)

Note:
Δ Add the desired cap color here; no color code
is required for black caps.

On request:
Other colors or designs, such as company logo.



KIPP Star Grips, similar to DIN 6336, internal thread, style D, metric

Item No.	Style	D1	D5	D8	H3	H4	T6
K0155.504	D	25	M4	12	8	16	10
K0155.505	D	25	M5	12	8	16	10
K0155.5061	D	25	M6	12	8	16	10
K0155.5051	D	32	M5	14	10	20	10
K0155.506	D	32	M6	14	10	20	10
K0155.508	D	40	M8	18	13	25	14
K0155.5101	D	40	M10	18	13	25	14
K0155.5081	D	50	M8	22	17	32	14
K0155.510	D	50	M10	22	17	32	14
K0155.5121	D	50	M12	22	17	32	18
K0155.5102	D	63	M10	26	21	40	14
K0155.512	D	63	M12	26	21	40	18
K0155.516	D	63	M16	26	21	40	18

Star Grips

similar to DIN 6336



KIPP Star Grips, similar to DIN 6336, internal thread, style K, metric

Item No.	Style	D1	D5	D8	H3	H4	T6
K0155.204Δ	K	25	M4	12	8	16	10
K0155.205Δ	K	25	M5	12	8	16	10
K0155.2061Δ	K	25	M6	12	8	16	10
K0155.2051Δ	K	32	M5	14	10	20	10
K0155.206Δ	K	32	M6	14	10	20	10
K0155.208Δ	K	40	M8	18	13	25	14
K0155.2101Δ	K	40	M10	18	13	25	14
K0155.2081Δ	K	50	M8	22	17	32	14
K0155.210Δ	K	50	M10	22	17	32	14
K0155.2121Δ	K	50	M12	22	17	32	18
K0155.2102Δ	K	63	M10	26	21	40	14
K0155.212Δ	K	63	M12	26	21	40	18
K0155.216Δ	K	63	M16	26	21	40	18

KIPP Star Grips, similar to DIN 6336, reamed hole, style G and H, metric

Item No. Style G	Item No. Style H	D1	D4	D8	D9	H3	H4	T1	T5
K0155.305Δ	K0155.105Δ	25	-/5	12	5/-	8	16	10/-	-/10
K0155.306Δ	K0155.106Δ	32	-/6	14	6/-	10	20	10/-	-/10
K0155.308Δ	K0155.108Δ	40	-/8	18	8/-	13	25	14/-	-/14
K0155.310Δ	K0155.110Δ	50	-/10	22	10/-	17	32	14/-	-/14
-	K0155.1101Δ	63	10	26	-	21	40	-	14
K0155.312Δ	K0155.112Δ	63	-/12	26	12/-	21	40	18/-	-/18

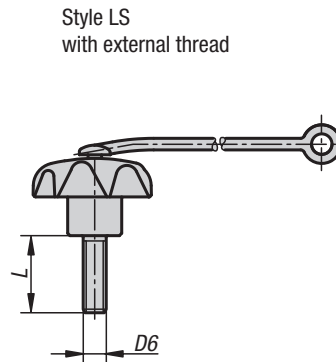
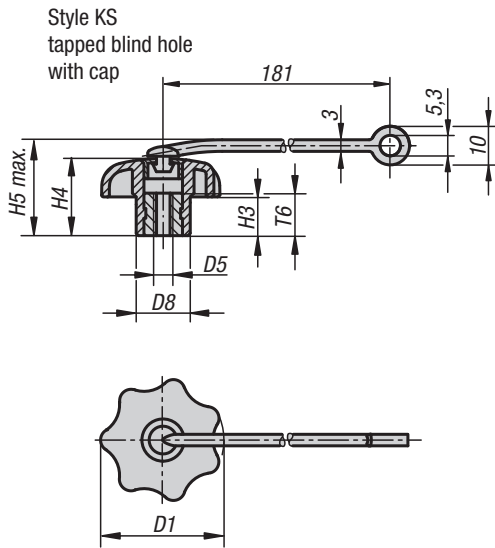
KIPP Star Grips, similar to DIN 6336, external thread, style L, metric

Item No.	Style	D1	D6	D8	H3	H4	L
K0155.405ΔX	L	25	M5	12	8	16	10/15/20/25/30/35/40/45/50/60
K0155.406ΔX	L	25	M6	12	8	16	10/15/20/25/30/35/40/45/50/60
K0155.4061ΔX	L	32	M6	14	10	20	10/15/20/25/30/35/40/45/50/60
K0155.408ΔX	L	32	M8	14	10	20	15/20/25/30/35/40/45/50/60
K0155.4081ΔX	L	40	M8	18	13	25	15/20/25/30/35/40/45/50/60
K0155.410ΔX	L	40	M10	18	13	25	15/20/25/30/35/40/45/50/60
K0155.4101ΔX	L	50	M10	22	17	32	15/20/25/30/35/40/45/50/60
K0155.412ΔX	L	50	M12	22	17	32	15/20/25/30/35/40/45/50/60
K0155.4102ΔX	L	63	M10	26	21	40	20/25/30/35/40/45/50/60
K0155.4121ΔX	L	63	M12	26	21	40	20/25/30/35/40/45/50/60
K0155.416ΔX	L	63	M16	26	21	40	30/35/40/45/50/60

Star Grips with safety lanyard

similar to DIN 6336

METRIC
Parts



Material:

Black thermoplastic.
Bushing and threaded bolt in steel.
Safety lanyard made of elastic TPU

Type:

Bushing and threaded bolt natural finish

Part Number Example:

K0155.7056X15
(cap color: traffic red;
include length L)

Note:

Δ Add the desired cap color here. No color code is required with a black cap color.

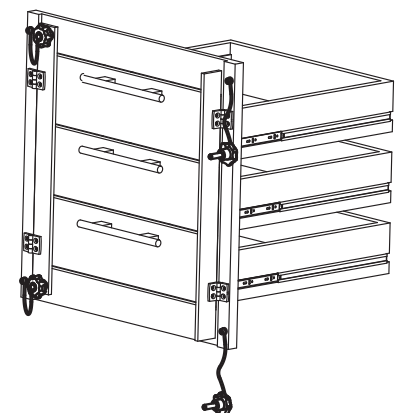
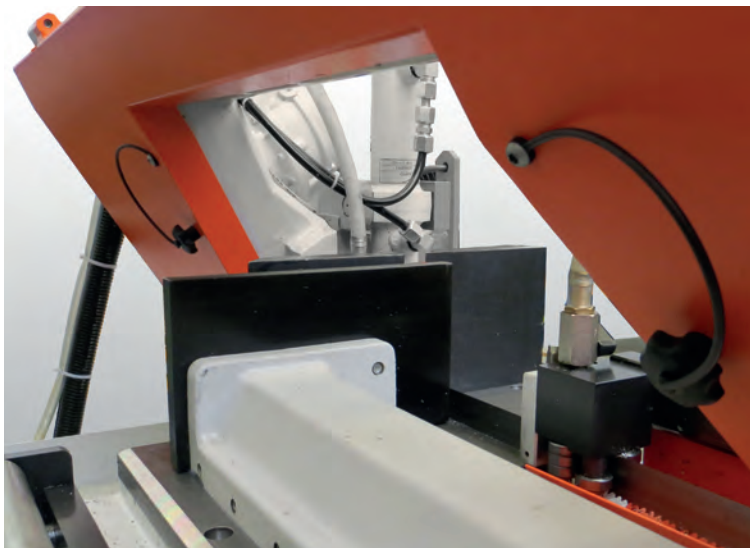
With the safety lanyard, the star grip can be attached to a base to make it unlosable. The star grip remains in the immediate vicinity of the object. This simplifies assembly / dismantling of the star grip and ensures against loss.

Assembly:

Do not stretch the lanyard during assembly. Make sure that the anchor is not too far from where the star grip is to be used.

Accessories:

The safety band is also available as an accessory, see K0743.04190.



Star Grips with safety lanyard

similar to DIN 6336



KIPP Star grips with safety lanyard, steel, internal thread, style KS, metric

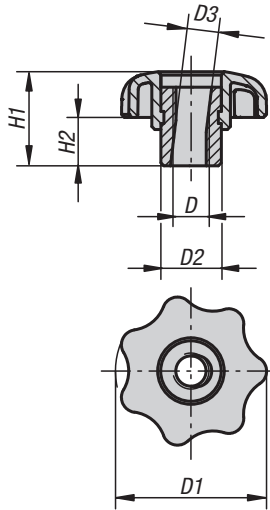
Item No.	Style	D1	D5	D8	H3	H4	H5 max.	T6
K0155.604Δ	KS	25	M4	12	8	16	22	10
K0155.605Δ	KS	25	M5	12	8	16	22	10
K0155.6051Δ	KS	32	M5	14	10	20	26	10
K0155.606Δ	KS	32	M6	14	10	20	26	10
K0155.6061Δ	KS	25	M6	12	8	16	22	10
K0155.608Δ	KS	40	M8	18	13	25	31	14
K0155.6081Δ	KS	50	M8	22	17	32	38	14
K0155.610Δ	KS	50	M10	22	17	32	38	14
K0155.6101Δ	KS	40	M10	18	13	25	31	14
K0155.6102Δ	KS	63	M10	26	21	40	46	14
K0155.612Δ	KS	63	M12	26	21	40	46	14
K0155.6121Δ	KS	50	M12	22	17	32	38	14
K0155.616Δ	KS	63	M16	26	21	40	46	14

KIPP Star grips with safety lanyard, steel, external thread, style LS, metric

Item No.	Style	D1	D6	D8	H3	H4	H5 max.	L
K0155.705ΔX	LS	25	M5	12	8	16	22	10/15/20/25/30/35/40/45/50/60
K0155.706ΔX	LS	25	M6	12	8	16	22	10/15/20/25/30/35/40/45/50/60
K0155.7061ΔX	LS	32	M6	14	10	20	26	10/15/20/25/30/35/40/45/50/60
K0155.708ΔX	LS	32	M8	14	10	20	26	15/20/25/30/35/40/45/50/60
K0155.7081ΔX	LS	40	M8	18	13	25	31	15/20/25/30/35/40/45/50/60
K0155.710ΔX	LS	40	M10	18	13	25	31	15/20/25/30/35/40/45/50/60
K0155.7101ΔX	LS	50	M10	22	17	32	38	15/20/25/30/35/40/45/50/60
K0155.712ΔX	LS	50	M12	22	17	32	38	15/20/25/30/35/40/45/50/60
K0155.7102ΔX	LS	63	M10	26	21	40	46	20/25/30/35/40/45/50/60
K0155.7121ΔX	LS	63	M12	26	21	40	46	20/25/30/35/40/45/50/60
K0155.716ΔX	LS	63	M16	26	21	40	46	30/35/40/45/50/60

Quick-Acting Star Grips

METRIC
Parts



Material:

Black thermoplastic; bushing in steel

Type:

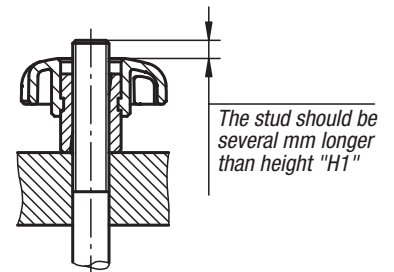
Bushing galvanized and blue chromate finish

Part Number Example:

K0156.06

Note:

Quick-Acting Star Grips can be used on all fixtures that do not require a high clamping force. Tilt the grip to slide on, then straighten it to engage the threads.



KIPP Quick-Acting Star Grips, metric

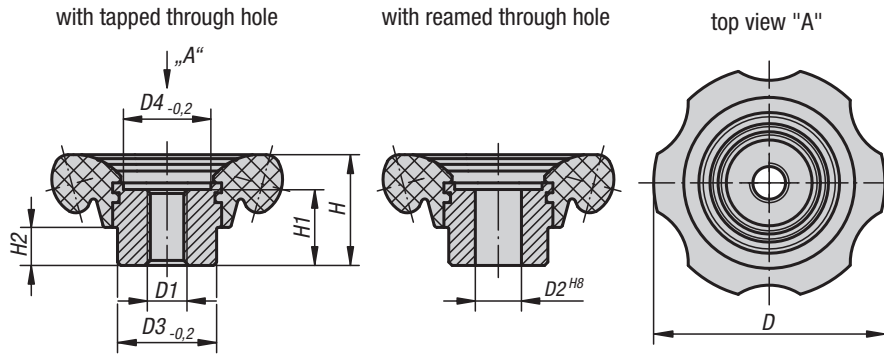
Item No.	D	D1	D2	D3	H1	H2
K0156.05	M5	25	10	5,2	15,5	8
K0156.06	M6	32	12	6,2	19,5	10
K0156.08	M8	40	13,5	8,3	24,5	13
K0156.10	M10	50	19	10,3	31	17
K0156.12	M12	63	19	12,3	39,5	21

Six Lobe Knobs

Duroplast



INCH Parts METRIC Parts



Material:
Six Lobe Knob in Duroplast PF 31;
bushing in steel, black oxide finish

Type:
High-gloss polished, black

Part Number Example:
K0184.701A3

KIPP Six Lobe Knobs, Duroplast, inch

Item No.	Version	D	D1	D2	D3	D4	H	H1	H2
K0184.701A3	tapped through hole	70	5/16-18	-	30	26.5	33.5	23	11.5
K0184.701A4	tapped through hole	70	3/8-16	-	30	26.5	33.5	23	11.5
K0184.831A5	tapped through hole	83	1/2-13	-	35	31.5	40	28	14
K0184.831A6	tapped through hole	83	5/8-11	-	35	31.5	40	28	14
K0184.702C0	reamed through hole	70	-	.375	30	26.5	33.5	23	11.5
K0184.702CP	reamed through hole	70	-	.500	30	26.5	33.5	23	11.5
K0184.832CP	reamed through hole	83	-	.500	35	31.5	40	28	14
K0184.832CQ	reamed through hole	83	-	.625	35	31.5	40	28	14

KIPP Six Lobe Knobs, Duroplast, metric

Item No.	Version	D	D1	D2	D3	D4	H	H1	H2
K0184.70110	tapped through hole	70	M10	-	30	26,5	33,5	23	11,5
K0184.70112	tapped through hole	70	M12	-	30	26,5	33,5	23	11,5
K0184.83112	tapped through hole	83	M12	-	35	31,5	40	28	14
K0184.83116	tapped through hole	83	M16	-	35	31,5	40	28	14
K0184.70212	reamed through hole	70	-	12	30	26,5	33,5	23	11,5
K0184.70214	reamed through hole	70	-	14	30	26,5	33,5	23	11,5
K0184.83214	reamed through hole	83	-	14	35	31,5	40	28	14
K0184.83216	reamed through hole	83	-	16	35	31,5	40	28	14

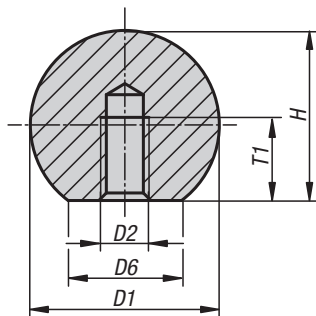
Ball Knobs

in stainless steel or aluminum, DIN 319

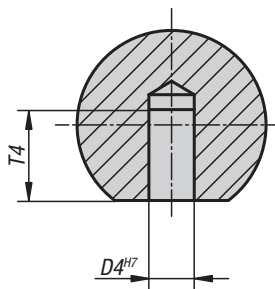
INCH Parts METRIC Parts



Style C
with tapped hole



Style K
with reamed hole



Material:
Stainless steel 1.4305 or aluminum

Type:
Polished

Part Number Example:
K0650.116AE3

KIPP Ball Knobs in aluminum, DIN 319, inch

Item No.	Material	Style	D1	D2	~D6	~H	T1 min.
K0650.116AE2	aluminum	C	16	8-32	8	15	7.2
K0650.120A12	aluminum	C	20	10-32	12	18	9.1
K0650.125A22	aluminum	C	25	1/4-20	15	22.5	11
K0650.132A32	aluminum	C	32	5/16-18	18	29	14.5
K0650.140A42	aluminum	C	40	3/8-16	22	37	18
K0650.150A52	aluminum	C	50	1/2-13	28	46	21

KIPP Ball Knobs in stainless steel, DIN 319, metric

Item No. Style C	Item No. Style K	D1	D2	D4	~D6	~H	T1 min.	T4 min.
K0650.116043	K0650.316043	16	M4/-	-/6	8	15	7,2/-	-/10
K0650.120053	K0650.320053	20	M5/-	-/8	12	18	9,1/-	-/12
K0650.125063	K0650.325063	25	M6/-	-/10	15	22,5	11/-	-/16
K0650.132083	K0650.332083	32	M8/-	-/12	18	29	14,5/-	-/20
K0650.140103	K0650.340103	40	M10/-	-/16	22	37	18/-	-/25
K0650.150123	K0650.350123	50	M12/-	-/20	28	46	21/-	-/32

KIPP Ball Knobs in aluminum, DIN 319, metric

Item No. Style C	Item No. Style K	D1	D2	D4	~D6	~H	T1 min.	T4 min.
K0650.116042	K0650.316042	16	M4/-	-/6	8	15	7,2/-	-/10
K0650.120052	K0650.320052	20	M5/-	-/8	12	18	9,1/-	-/12
K0650.125062	K0650.325062	25	M6/-	-/10	15	22,5	11/-	-/16
K0650.132082	K0650.332082	32	M8/-	-/12	18	29	14,5/-	-/20
K0650.140102	K0650.340102	40	M10/-	-/16	22	37	18/-	-/25
K0650.150122	K0650.350122	50	M12/-	-/20	28	46	21/-	-/32

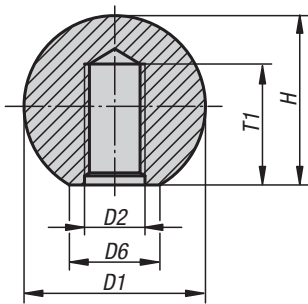
Ball Knobs

in thermoplastic to DIN 319 extended

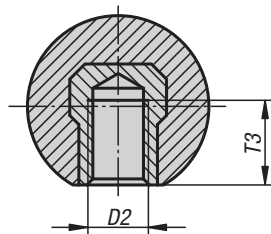


METRIC
Parts

Style C
plastic thread



Style E
tapped bushing



Material:
Black thermoplastic,
bushing in steel.

Type:
Steel galvanized.

Part Number Example:
K0158.11604

On request:
Other colors.

KIPP Ball Knobs in thermoplastic to DIN 319 extended, metric

Item No.	Style	D1	D2	~D6	~H	T1 min.	T3 min.
K0158.11604	C	16	M4	8	15	6	-
K0158.11605	C	16	M5	8	15	7,5	-
K0158.12005	C	20	M5	12	18	7,5	-
K0158.12006	C	20	M6	12	18	9	-
K0158.12506	C	25	M6	15	22,5	9	-
K0158.12508	C	25	M8	15	22,5	12	-
K0158.13208	C	32	M8	18	29	12	-
K0158.13210	C	32	M10	18	29	15	-
K0158.22005	E	20	M5	12	18	-	7,5
K0158.22006	E	20	M6	12	18	-	7,5
K0158.22506	E	25	M6	15	22,5	-	9
K0158.22508	E	25	M8	15	22,5	-	9
K0158.23208	E	32	M8	18	29	-	12
K0158.23210	E	32	M10	18	29	-	12