

Ball Lock Pins

self locking



INCH
Parts

METRIC
Parts



Material:

Grip and push button thermoplastic.
Steel parts stainless steel.

Type:

Grip, black.
Push button, red
Steel parts, natural finish.

Part Number Example:

K0363.3806050
(include length L e.g. 050 for L = 50 mm)

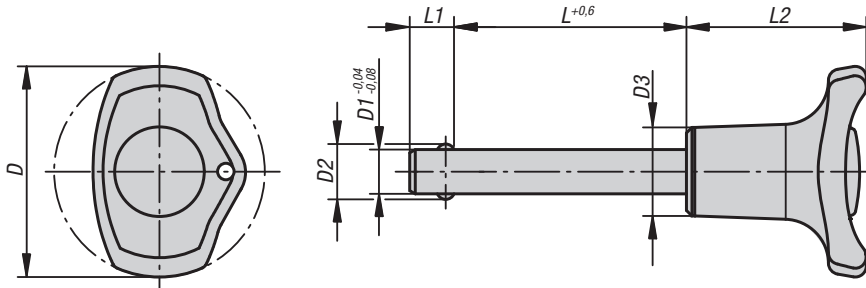
Note:

Ball Lock Pins allow instant bolting of two workpieces. Two spring pressure balls automatically lock the pin in place. Pressing the push button will release the ball and efficiently unlock the pin.

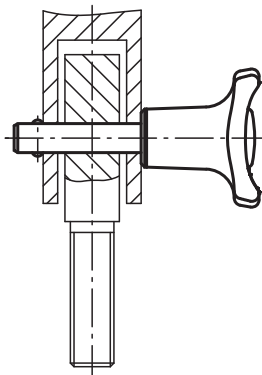
Shearing force double-edged (F) = $S \cdot \tau \cdot aB$
max.

Accessories:

Safety Helix Cable K0367.10200
Retaining Cable with eye K0367.....
Pin Retaining Ring K0367.15/19/23



Application Diagram



Part Number Example (inch):

Ball Lock Pin K0363.38CLL08
(include length L,
e.g. L08 for L = .5")

- .5 = L08
- .75 = L12
- 1 = L16
- 1.25 = L20
- 1.5 = L24
- 1.75 = L28
- 2 = L32
- 2.5 = L36
- 3 = L40

KIPP Ball Lock Pins, self-locking, inch

Item No.	D	D1	D2	D3	L	L1	L2	Receiving hole H11	Shearing force double shear max. kN
K0363.38CL***	38	3/16	5.25	16	.5/.75/1/1.25	6	32.5	3/16	13
K0363.38CM***	38	1/4	7.2	16	.5/.75/1/1.25/1.5/1.75/2	6.9	32.5	1/4	24
K0363.38CN***	38	5/16	9.5	16	1/1.25/1.5/1.75/2	7.9	32.5	5/16	38
K0363.47C0***	47	3/8	11.5	23	1/1.25/1.5/1.75/2	8.8	40	3/8	54
K0363.47CU***	47	7/16	13	23	1/1.25/1.5/1.75/2/2.5/3	9.7	40	7/16	74
K0363.47CP***	47	1/2	15	23	1/1.25/1.5/1.75/2/2.5/3	10	40	1/2	96
K0363.47CQ***	47	5/8	19	23	1/1.25/1.5/1.75/2/2.5/3	13.3	40	5/8	150

KIPP Ball Lock Pins, self-locking, metric

Item No.	D	D1	D2	D3	L	L1	L2	Receiving hole H11	Shearing force double shear max. kN
K0363.3805***	38	5	5,5	16	10/15/20/25/30	6	32,5	5	15
K0363.3806***	38	6	6,85	16	10/15/20/25/30/35/40/45/50	7	32,5	6	22
K0363.3808***	38	8	9,5	16	20/25/30/35/40/45/50	8	32,5	8	38
K0363.4710***	47	10	12	23	20/25/30/35/40/45/50/60	9	40	10	60
K0363.4712***	47	12	14,5	23	25/30/35/40/45/50/60/70/80	10	40	12	86
K0363.4716***	47	16	19	23	30/35/40/45/50/60/70/80	13	40	16	153

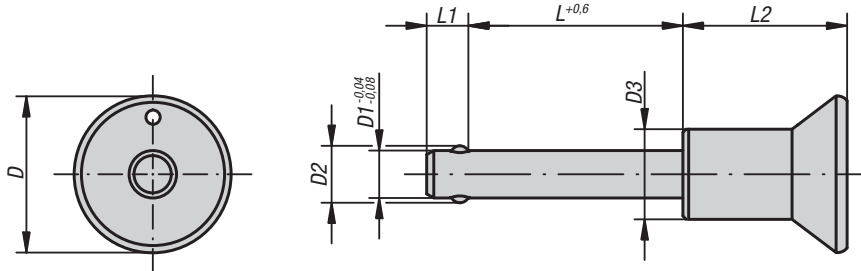
Ball Lock Pins

Button Head Style self-locking, stainless steel



INCH Parts

METRIC Parts



Material:
Steel parts stainless steel.

Type:
Natural finish.

Part Number Example:
K0364.3110030
(include length L e.g. 030 for L = 30 mm.)

Note:
Ball Lock Pins allow instant bolting of two workpieces. Two spring pressure balls automatically lock the pin in place. Pressing the push button will release the ball and efficiently unlock the pin. Corrosion resistant.
Heat resistance up to: +250 °C/+483 °F.

Shearing force double shear (F) = S · τ aB max.

Accessories:
Safety Helix Cable: K0367.10200
Pin Retaining Ring: K0367.15/19/23
Pin Retaining Cable with eye: K0367....

KIPP Ball Lock Pins, button head style, self-locking, stainless steel, inch

Item No.	D	D1	D2	D3	L	L1	L2	Receiving hole H11	Shearing force double shear max. kN
K0364.23CL***	25	3/16	5.25	14	.5/.75/1/1.25	6	26.5	3/16	13
K0364.23CM***	25	1/4	7.2	14	.5/.75/1/1.25/1.5/1.75/2	6.9	26.5	1/4	24
K0364.23CN***	25	5/16	9.5	14	1/1.25/1.5/1.75/2	7.9	26.5	5/16	38
K0364.31C0***	33	3/8	11.5	19	1/1.25/1.5/1.75/2	8.8	34.6	3/8	54
K0364.31C1***	33	7/16	13	19	1/1.25/1.5/1.75/2/2.5/3	9.7	34.6	7/16	74
K0364.31C2***	33	1/2	15	19	1/1.25/1.5/1.75/2/2.5/3	10	34.6	1/2	96
K0364.31C3***	33	5/8	19	20	1/1.25/1.5/1.75/2/2.5/3	13.3	34.6	5/8	150

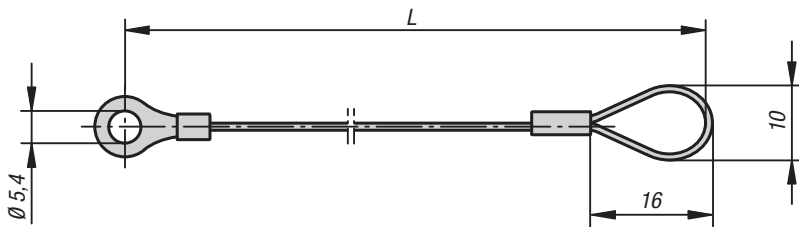
KIPP Ball Lock Pins, button head style, self-locking, stainless steel, metric

Item No.	D	D1	D2	D3	L	L1	L2	Receiving hole H11	Shearing force double shear max. kN
K0364.2305***	25	5	5,5	14	10/15/20/25/30	6	26,5	5	15
K0364.2306***	25	6	6,85	14	10/15/20/25/30/35/40/45/50	7	26,5	6	22
K0364.2308***	25	8	9,5	14	20/25/30/35/40/45/50	8	26,5	8	38
K0364.3110***	33	10	12	19	20/25/30/35/40/45/50/60	9	34,6	10	60
K0364.3112***	33	12	14,5	19	25/30/35/40/45/50/60/70/80	10	34,6	12	86
K0364.3116***	33	16	19	20	30/35/40/45/50/60/70/80	13,3	34,6	16	153

Pin Retaining Cables

with eye

METRIC
Parts



Material:

Retaining cable in stainless steel.
Clip and eye in aluminum.

Type:

Cable plastic coated.

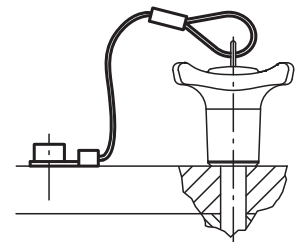
Part Number Example:

K0367.0150

Note:

With the Retaining Cable and Pin Ring (K0367) the Ball Lock Pins (K0363 and K0364) can be secured so that they cannot be lost. A screw M5 is used to secure the retaining cable.

Application temperature: +80 °C.

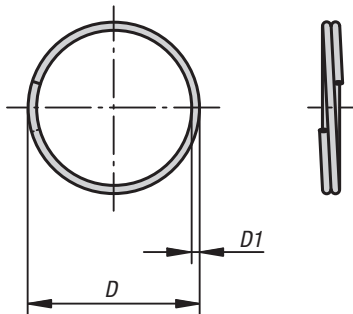


KIPP Pin Retaining Cables with eye, metric

Item No.	L
K0367.0150	150
K0367.0200	200
K0367.0300	300

Pin Retaining Rings

stainless steel



Material:

Stainless steel 1.4310.

Type:

Natural finish.

Part Number Example:

K0367.15

Note:

Suitable for Pin Retaining Cables (K0367),
Ball Lock Pins (K0363, K0364) and
Indexing Plungers (K0341, K0345).

KIPP Pin Retaining Rings, metric

Item No.	D	D1
K0367.15	15	1
K0367.19	19	1
K0367.23	23	1,2
K0367.28	28	1,7