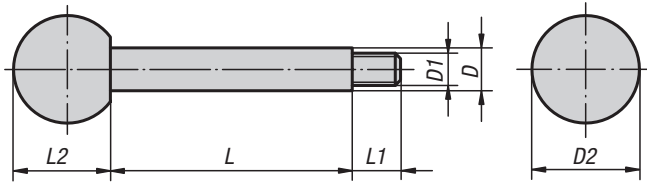


Gear Levers

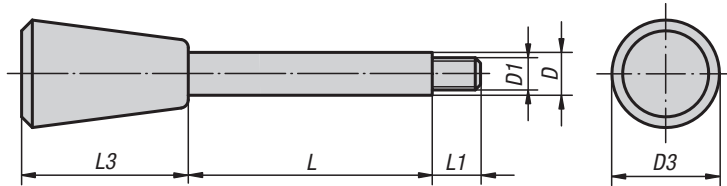
INCH Parts METRIC Parts



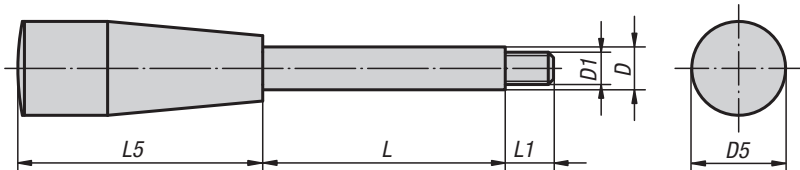
Style A



Style C



Style E



Material:

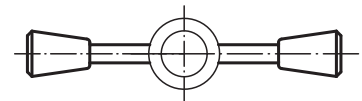
Knobs Duroplast PF 31.
Rod steel 1.0718 or stainless steel 1.4305.

Type:

Duroplastic black, high-gloss polished.
Steel black oxide finish or stainless steel natural finish.

Part Number Example:

K0179.2A2X35
(include length L)



KIPP Gear Levers, style A, inch

Item No. steel	Item No. stainless steel	Style	D	D1	D2	L	L1	L2
K0179.2A2X	K0179.12A2X	A	8	1/4-20	20	35/50/65	9	18
K0179.2A3X	K0179.12A3X	A	10	5/16-18	25	50/65/80/100	13	22.5
K0179.2A4X	K0179.12A4X	A	12	3/8-16	32	65/80/100/125	15	29
K0179.2A5X	K0179.12A5X	A	14	1/2-13	35	80/100/125/160	16	32.5

KIPP Gear Levers, style C, inch

Item No. steel	Item No. stainless steel	Style	D	D1	D3	L	L1	L3
K0179.4A2X	K0179.14A2X	C	8	1/4-20	20	35/50/65	9	30
K0179.4A3X	K0179.14A3X	C	10	5/16-18	25	50/65/80/100	13	38
K0179.4A4X	K0179.14A4X	C	12	3/8-16	30	65/80/100/125	15	46
K0179.4A5X	K0179.14A5X	C	14	1/2-13	35	80/100/125/160	16	53

KIPP Gear Levers, style E, inch

Item No. steel	Item No. stainless steel	Style	D	D1	D5	L	L1	L5
K0179.6A2X	K0179.16A2X	E	8	1/4-20	17	35/50/65	9	45
K0179.6A3X	K0179.16A3X	E	10	5/16-18	23	50/65/80/100	13	60
K0179.6A4X	K0179.16A4X	E	12	3/8-16	28	65/80/100/125	15	70
K0179.6A5X	K0179.16A5X	E	14	1/2-13	28	80/100/125/160	16	70

KIPP Gear Levers, style A, metric

Item No. steel	Item No. stainless steel	Style	D	D1	D2	L	L1	L2
K0179.208X	K0179.1208X	A	8	M6	20	35/50/65	9	18
K0179.210X	K0179.1210X	A	10	M8	25	50/65/80/100	13	22,5
K0179.212X	K0179.1212X	A	12	M10	32	65/80/100/125	15	29
K0179.214X	K0179.1214X	A	14	M12	35	80/100/125/160	16	32,5

KIPP Gear Levers, style C, metric

Item No. steel	Item No. stainless steel	Style	D	D1	D3	L	L1	L3
K0179.408X	K0179.1408X	C	8	M6	20	35/50/65	9	30
K0179.410X	K0179.1410X	C	10	M8	25	50/65/80/100	13	38
K0179.412X	K0179.1412X	C	12	M10	30	65/80/100/125	15	46
K0179.414X	K0179.1414X	C	14	M12	35	80/100/125/160	16	53

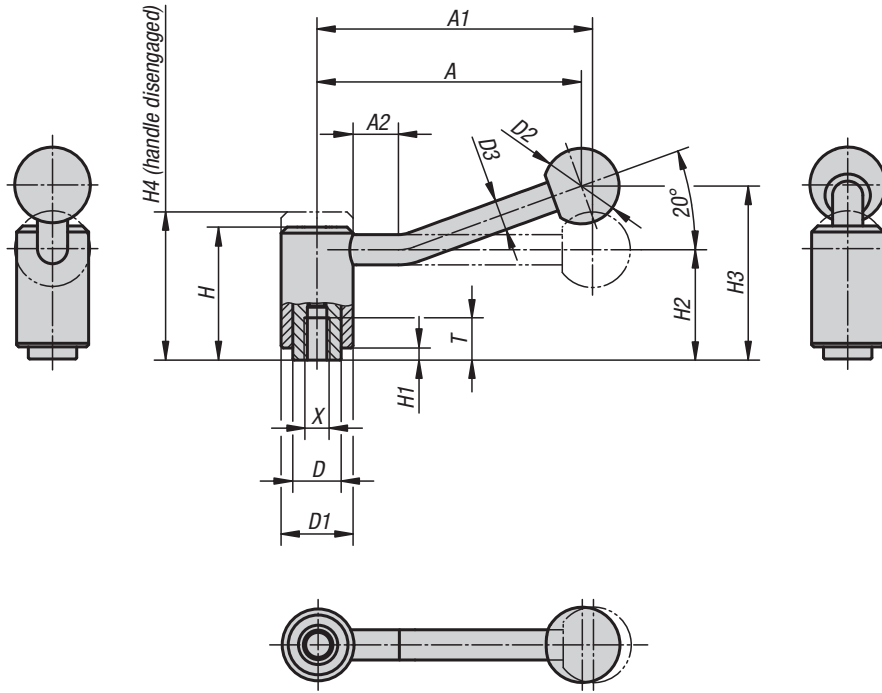
KIPP Gear Levers, style E, metric

Item No. steel	Item No. stainless steel	Style	D	D1	D5	L	L1	L5
K0179.608X	K0179.1608X	E	8	M6	17	35/50/65	9	45
K0179.610X	K0179.1610X	E	10	M8	23	50/65/80/100	13	60
K0179.612X	K0179.1612X	E	12	M10	28	65/80/100/125	15	70
K0179.614X	K0179.1614X	E	14	M12	28	80/100/125/160	16	70

Adjustable Tension Levers

internal thread

INCH Parts
METRIC Parts



Material:
Steel parts quality class 5.8.
Ball knob black plastic, press fit.

Type:
Powder-coated with fine texture, black

Part Number Example:
K0108.1A32

On request:
Other internal threads and special versions.
Dimension "H1", "A" and "A1" available in other lengths at an additional charge.



KIPP Adjustable Tension Levers, with internal thread, inch

Item No. 0 degree	Item No. 20 degrees	Size	X	T	D	D1	D2	D3	H	H1	H2	H3	H4	A	A1	A2	No. of teeth
K0108.1A32	K0108.1A31	1	5/16-18	14	16	24	25	10	44.5	4.5	37	-/58.5	49.5	-/88	92/-	-/15	22
K0108.1A42	K0108.1A41	1	3/8-16	14	16	24	25	10	44.5	4.5	37	-/58.5	49.5	-/88	92/-	-/15	22
K0108.2A42	K0108.2A41	2	3/8-16	17	19	28	32	12	51.5	5.5	42	-/68.5	57.5	-/106	111/-	-/15	24
K0108.2A52	K0108.2A51	2	1/2-13	17	19	28	32	12	51.5	5.5	42	-/68.5	57.5	-/106	111/-	-/15	24
K0108.3A52	K0108.3A51	3	1/2-13	23	23	33	32	13	58	6	47	-/81	65	-/128.5	134.5/-	-/15	26
K0108.3A62	K0108.3A61	3	5/8-11	23	23	33	32	13	58	6	47	-/81	65	-/128.5	134.5/-	-/15	26
K0108.4A62	K0108.4A61	4	5/8-11	27	30	41	32	13	68.5	7.5	56.5	-/89.5	76.5	-/128.5	134/-	-/15	36
K0108.4A72	K0108.4A71	4	3/4-10	27	30	41	32	13	68.5	7.5	56.5	-/89.5	76.5	-/128.5	134/-	-/15	36

KIPP Adjustable Tension Levers, with internal thread, metric

Item No. 0 degree	Item No. 20 degrees	Size	X	T	D	D1	D2	D3	H	H1	H2	H3	H4	A	A1	A2	No. of teeth
K0108.1082	K0108.1081	1	M8	14	16	24	25	10	44,5	4,5	37	-/58,5	49,5	-/88	92/-	-/15	22
K0108.1102	K0108.1101	1	M10	14	16	24	25	10	44,5	4,5	37	-/58,5	49,5	-/88	92/-	-/15	22
K0108.2102	K0108.2101	2	M10	17	19	28	32	12	51,5	5,5	42	-/68,5	57,5	-/106	111/-	-/15	24
K0108.2122	K0108.2121	2	M12	17	19	28	32	12	51,5	5,5	42	-/68,5	57,5	-/106	111/-	-/15	24
K0108.3122	K0108.3121	3	M12	23	23	33	32	13	58	6	47	-/81	65	-/128,5	134,5/-	-/15	26
K0108.3162	K0108.3161	3	M16	23	23	33	32	13	58	6	47	-/81	65	-/128,5	134,5/-	-/15	26
K0108.4162	K0108.4161	4	M16	27	30	41	32	13	68,5	7,5	56,5	-/89,5	76,5	-/128,5	134/-	-/15	36
K0108.4202	K0108.4201	4	M20	27	30	41	32	13	68,5	7,5	56,5	-/89,5	76,5	-/128,5	134/-	-/15	36
K0108.4242	K0108.4241	4	M24	27	30	41	32	13	68,5	7,5	56,5	-/89,5	76,5	-/128,5	134/-	-/15	36

Adjustable Tension Levers in stainless steel

internal thread

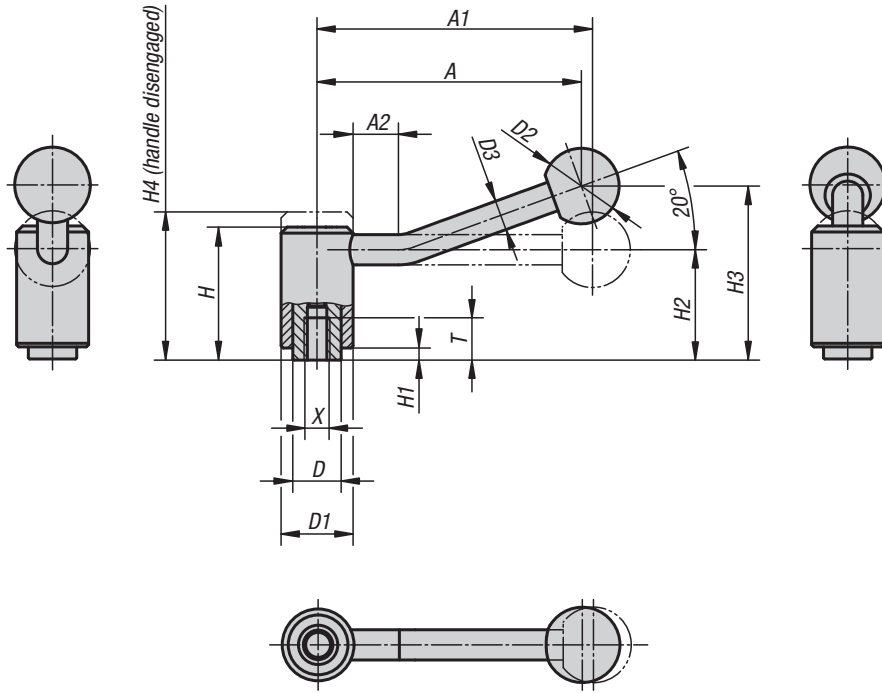


Material:
Steel parts in stainless steel, 1.4305,
black plastic ball knob

Type:
Steel parts natural finish

Part Number Example:
K0109.1A32

On request:
Other internal threads and special versions.
Dimension "H1", "A" and "A1" available in
other lengths at an additional charge.



KIPP Adjustable Tension Levers, in stainless steel, with internal thread, inch

Item No. 0 degree	Item No. 20 degrees	Size	X	T	D	D1	D2	D3	H	H1	H2	H3	H4	A	A1	A2	No. of teeth
K0109.1A32	K0109.1A31	1	5/16-18	14	16	24	25	10	44.5	4.5	37	-/58.5	49.5	-/88	92/-	-/15	22
K0109.1A42	K0109.1A41	1	3/8-16	14	16	24	25	10	44.5	4.5	37	-/58.5	49.5	-/88	92/-	-/15	22
K0109.2A42	K0109.2A41	2	3/8-16	17	19	28	32	12	51.5	5.5	42	-/68.5	57.5	-/106	111/-	-/15	24
K0109.2A52	K0109.2A51	2	1/2-13	17	19	28	32	12	51.5	5.5	42	-/68.5	57.5	-/106	111/-	-/15	24
K0109.3A52	K0109.3A51	3	1/2-13	23	23	33	32	13	58	6	47	-/81	65	-/128.5	134.5/-	-/15	26
K0109.3A62	K0109.3A61	3	5/8-11	23	23	33	32	13	58	6	47	-/81	65	-/128.5	134.5/-	-/15	26
K0109.4A62	K0109.4A61	4	5/8-11	27	30	41	32	13	68.5	7.5	56.5	-/89.5	76.5	-/128.5	134/-	-/15	36
K0109.4A72	K0109.4A71	4	3/4-10	27	30	41	32	13	68.5	7.5	56.5	-/89.5	76.5	-/128.5	134/-	-/15	36

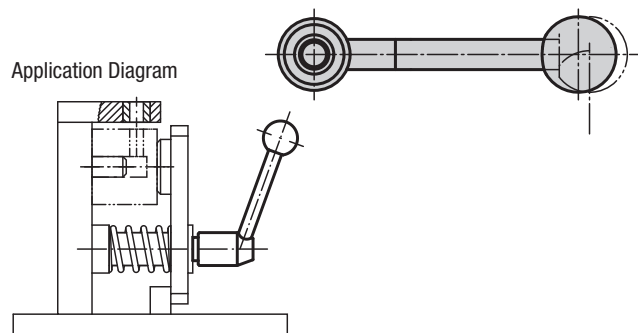
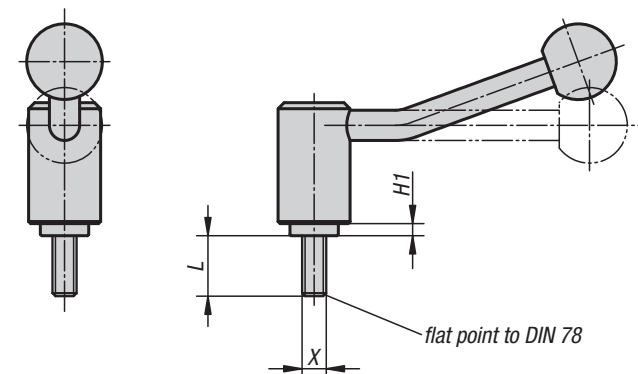
KIPP Adjustable Tension Levers, in stainless steel, with internal thread, metric

Item No. 0 degree	Item No. 20 degrees	Size	X	T	D	D1	D2	D3	H	H1	H2	H3	H4	A	A1	A2	No. of teeth
K0109.1082	K0109.1081	1	M8	14	16	24	25	10	44,5	4,5	37	-/58,5	49,5	-/88	92/ -	-/15	22
K0109.1102	K0109.1101	1	M10	14	16	24	25	10	44,5	4,5	37	-/58,5	49,5	-/88	92/ -	-/15	22
K0109.2102	K0109.2101	2	M10	17	19	28	32	12	51,5	5,5	42	-/68,5	57,5	-/106	111/ -	-/15	24
K0109.2122	K0109.2121	2	M12	17	19	28	32	12	51,5	5,5	42	-/68,5	57,5	-/106	111/ -	-/15	24
K0109.3122	K0109.3121	3	M12	23	23	33	32	13	58	6	47	-/81	65	-/128,5	134,5/ -	-/15	26
K0109.3162	K0109.3161	3	M16	23	23	33	32	13	58	6	47	-/81	65	-/128,5	134,5/ -	-/15	26
K0109.4162	K0109.4161	4	M16	27	30	41	32	13	68,5	7,5	56,5	-/89,5	76,5	-/128,5	134/ -	-/15	36
K0109.4202	K0109.4201	4	M20	27	30	41	32	13	68,5	7,5	56,5	-/89,5	76,5	-/128,5	134/ -	-/15	36

Adjustable Tension Levers

external thread

INCH Parts
METRIC Parts



Material:
Steel parts quality class 5.8.
Ball knob black plastic, press fit.

Type:
Powder-coated with fine texture, black

Part Number Example:
K0108.1A32X20
(include length L)

Note:
Missing dimensions see Tension Levers with internal thread.

On request:
Other internal threads and special versions.
Dimension "H1", "A" and "A1" available in other lengths at an additional charge.

KIPP Adjustable Tension Levers, with external thread, inch

Item No. 0 degree	Item No. 20 degrees	Size	X	H1	L
K0108.1A32X	K0108.1A31X	1	5/16-18	4.5	20/25/30/40/50/60
K0108.1A42X	K0108.1A41X	1	3/8-16	4.5	20/25/30/40/50/60
K0108.1A52X	K0108.1A51X	1	1/2-13	4.5	20/25/30/40/50/60
K0108.2A52X	K0108.2A51X	2	1/2-13	5.5	20/25/30/40/50/60
K0108.3A52X	K0108.3A51X	3	1/2-13	6	20/25/30/40/50/60
K0108.3A62X	K0108.3A61X	3	5/8-11	6	20/25/30/40/50/60
K0108.4A62X	K0108.4A61X	4	5/8-11	7.5	30/40/50/60
K0108.4A72X	K0108.4A71X	4	3/4-10	7.5	30/40/50/60

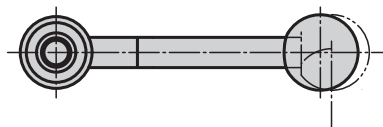
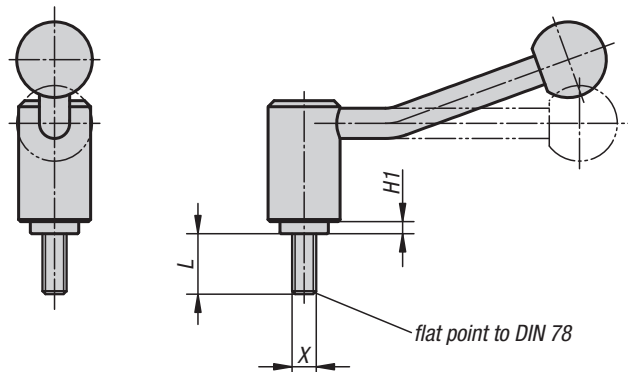
KIPP Adjustable Tension Levers, with external thread, metric

Item No. 0 degree	Item No. 20 degrees	Size	X	H1	L
K0108.1082X	K0108.1081X	1	M8	4,5	15/20/25/30/40/50/60
K0108.1102X	K0108.1101X	1	M10	4,5	15/20/25/30/40/50/60
K0108.1122X	K0108.1121X	1	M12	4,5	15/20/25/30/40/50/60
K0108.2122X	K0108.2121X	2	M12	5,5	20/25/30/40/50/60
K0108.3122X	K0108.3121X	3	M12	6	20/25/30/40/50/60/70/80/90
K0108.3162X	K0108.3161X	3	M16	6	20/25/30/40/50/60/70/80/90
K0108.4162X	K0108.4161X	4	M16	7,5	30/40/50/60/70/80/90
K0108.4202X	K0108.4201X	4	M20	7,5	30/40/50/60/70/80/90
K0108.4242X	K0108.4241X	4	M24	7,5	30/40/50/60/70/80/90

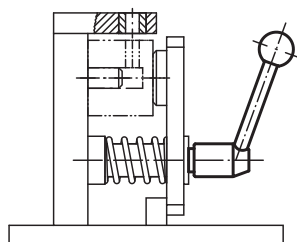
Adjustable Tension Levers in stainless steel



external thread



Application Diagram



Material:

Steel parts in stainless steel, 1.4305, black plastic ball knob

Type:

Steel parts natural finish.

Part Number Example:

K0109.1A32X15
(include length L)

Note:

Missing dimensions see Tension Levers with internal thread.

On request:

Other external threads, screw lengths and special versions.
Dimension "H1", "A" and "A1" available in other lengths at an extra charge.

KIPP Adjustable Tension Levers, in stainless steel, with external thread, inch

Item No. 0 degree	Item No. 20 degrees	Size	X	H1	L
K0109.1A32X	K0109.1A31X	1	5/16-18	4.5	15/20/25/30/40/50/60
K0109.1A42X	K0109.1A41X	1	3/8-16	4.5	15/20/25/30/40/50/60
K0109.1A52X	K0109.1A51X	1	1/2-13	4.5	15/20/25/30/40/50/60
K0109.2A52X	K0109.2A51X	2	1/2-13	5.5	20/25/30/40/50/60
K0109.3A52X	K0109.3A51X	3	1/2-13	6	20/25/30/40/50/60/70/80/90
K0109.3A62X	K0109.3A61X	3	5/8-11	6	20/25/30/40/50/60/70/80/90
K0109.4A62X	K0109.4A61X	4	5/8-11	7.5	30/40/50/60/70/80/90
K0109.4A72X	K0109.4A71X	4	3/4-10	7.5	30/40/50/60/70/80/90

KIPP Adjustable Tension Levers, in stainless steel, with external thread, metric

Item No. 0 degree	Item No. 20 degrees	Size	X	H1	L
K0109.1082X	K0109.1081X	1	M8	4,5	15/20/25/30/40/50/60
K0109.1102X	K0109.1101X	1	M10	4,5	15/20/25/30/40/50/60
K0109.1122X	K0109.1121X	1	M12	4,5	15/20/25/30/40/50/60
K0109.2122X	K0109.2121X	2	M12	5,5	20/25/30/40/50/60
K0109.3122X	K0109.3121X	3	M12	6	20/25/30/40/50/60/70/80/90
K0109.3162X	K0109.3161X	3	M16	6	20/25/30/40/50/60/70/80/90
K0109.4162X	K0109.4161X	4	M16	7,5	30/40/50/60/70/80/90
K0109.4202X	K0109.4201X	4	M20	7,5	30/40/50/60/70/80/90

Adjustable Tension Levers

low profile, internal thread



INCH Parts METRIC Parts

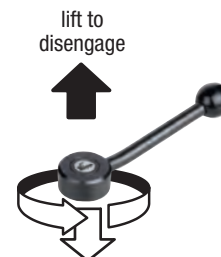
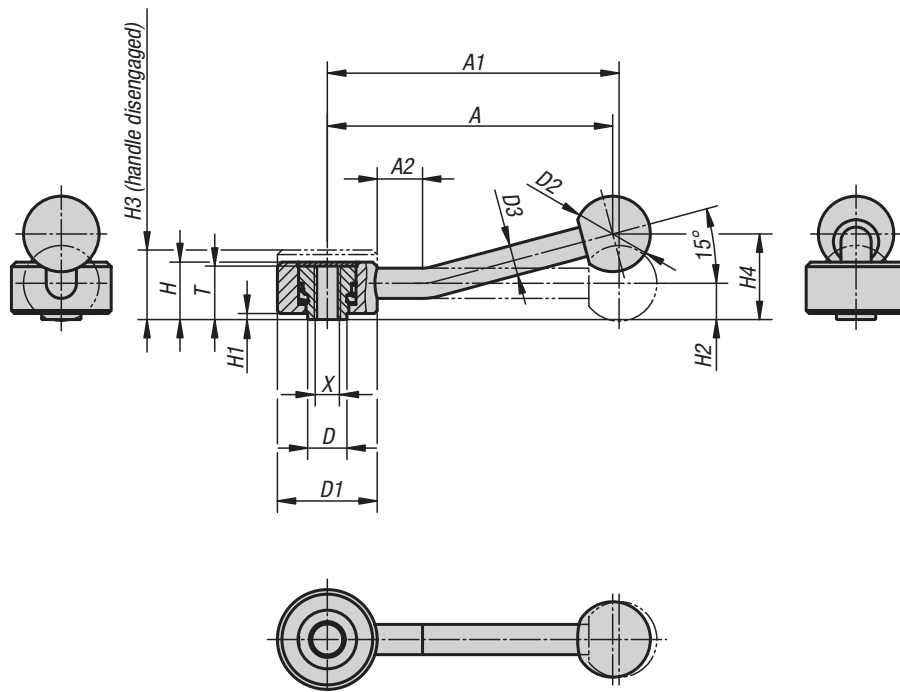


Material:
Steel parts quality class 5.8.
Ball knob black plastic.

Type:
Black oxide finish.

Part Number Example:
K0114.1A21

On request:
Other internal threads and special versions.
Dimension "H1", "A" and "A1" available in other lengths at an additional charge.



KIPP Adjustable Tension Levers, low profile, internal thread, inch

Item No. 0 degree	Item No. 15 degrees	Size	X	T	D	D1	D2	D3	H	H1	H2	H3	H4	A	A1	A2	No. of teeth
K0114.1A21	K0114.1A22	1	1/4-20	18	13.5	33	25	10	19	2	12	23	-/29	-/100	102/-	-/15	26
K0114.1A31	K0114.1A32	1	5/16-18	18	13.5	33	25	10	19	2	12	23	-/29	-/100	102/-	-/15	26
K0114.2A41	K0114.2A42	2	3/8-16	21	19	41	30	12	22	2	13.5	26	-/38	-/127	131/-	-/15	30
K0114.2A51	K0114.2A52	2	1/2-13	21	19	41	30	12	22	2	13.5	26	-/38	-/127	131/-	-/15	30
K0114.3A51	K0114.3A52	3	1/2-13	27	23	45	37	14	28	2	17	33	-/48	-/145	148/-	-/15	36
K0114.3A61	K0114.3A62	3	5/8-11	27	23	45	37	14	28	2	17	33	-/48	-/145	148/-	-/15	36

KIPP Adjustable Tension Levers, low profile, internal thread, metric

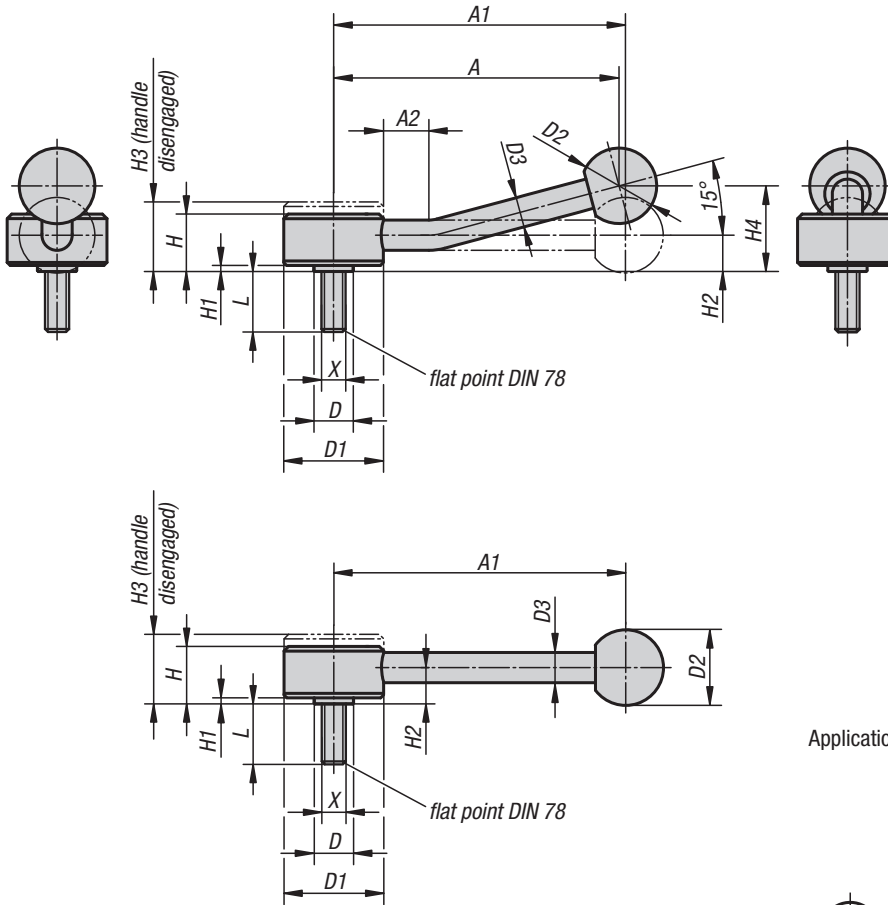
Item No. 0 degree	Item No. 15 degrees	Size	X	T	D	D1	D2	D3	H	H1	H2	H3	H4	A	A1	A2	No. of teeth
K0114.1061	K0114.1062	1	M6	18	13,5	33	25	10	19	2	12	23	-/29	-/100	102/-	-/15	26
K0114.1081	K0114.1082	1	M8	18	13,5	33	25	10	19	2	12	23	-/29	-/100	102/-	-/15	26
K0114.2101	K0114.2102	2	M10	21	19	41	30	12	22	2	13,5	26	-/38	-/127	131/-	-/15	30
K0114.2121	K0114.2122	2	M12	21	19	41	30	12	22	2	13,5	26	-/38	-/127	131/-	-/15	30
K0114.3121	K0114.3122	3	M12	27	23	45	37	14	28	2	17	33	-/48	-/145	148/-	-/15	36
K0114.3161	K0114.3162	3	M16	27	23	45	37	14	28	2	17	33	-/48	-/145	148/-	-/15	36

Adjustable Tension Levers

low profile, external thread



INCH Parts METRIC Parts



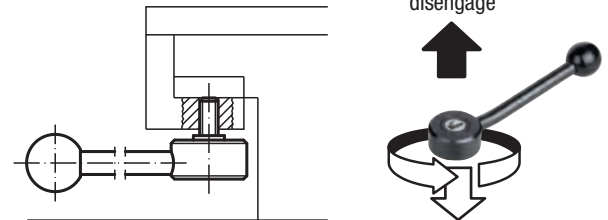
Material:
Steel parts quality class 5.8.
Ball knob black plastic.

Type:
Black oxide finish.

Part Number Example:
K0114.1A31X20
(include length L)

On request:
Other external threads, screw lengths and special versions.
Dimension "H1", "A" and "A1" available in other lengths at an additional charge.

Application Diagram



KIPP Adjustable Tension Levers, low profile, external thread, inch

Item No. 0 degree	Item No. 15 degrees	Size	X	D	D1	D2	D3	H	H1	H2	H3	H4	A	A1	A2	No. of teeth	L
K0114.1A31X	K0114.1A32X	1	5/16-18	13.5	33	25	10	19	2	12	23	-/29	-/100	102/-	-/15	20	20/25/30/40/50/60
K0114.1A41X	K0114.1A42X	1	3/8-16	13.5	33	25	10	19	2	12	23	-/29	-/100	102/-	-/15	20	20/25/30/40/50/60
K0114.2A41X	K0114.2A42X	2	3/8-16	19	41	30	12	22	2	13.5	26	-/38	-/127	131/-	-/15	24	20/25/30/40/50/60
K0114.2A51X	K0114.2A52X	2	1/2-13	19	41	30	12	22	2	13.5	26	-/38	-/127	131/-	-/15	24	20/25/30/40/50/60
K0114.3A51X	K0114.3A52X	3	1/2-13	23	45	37	14	28	2	17	33	-/48	-/145	148/-	-/15	26	20/25/30/40/50/60
K0114.3A61X	K0114.3A62X	3	5/8-11	23	45	37	14	28	2	17	33	-/48	-/145	148/-	-/15	26	20/25/30/40/50/60

KIPP Adjustable Tension Levers, low profile, external thread, metric

Item No. 0 degree	Item No. 15 degrees	Size	X	D	D1	D2	D3	H	H1	H2	H3	H4	A	A1	A2	No. of teeth	L
K0114.1081X	K0114.1082X	1	M8	13,5	33	25	10	19	2	12	23	-/29	-/100	102/-	-/15	20	15/20/25/30/40/50/60
K0114.1101X	K0114.1102X	1	M10	13,5	33	25	10	19	2	12	23	-/29	-/100	102/-	-/15	20	15/20/25/30/40/50/60
K0114.2101X	K0114.2102X	2	M10	19	41	30	12	22	2	13,5	26	-/38	-/127	131/-	-/15	24	20/25/30/40/50/60
K0114.2121X	K0114.2122X	2	M12	19	41	30	12	22	2	13,5	26	-/38	-/127	131/-	-/15	24	20/25/30/40/50/60
K0114.3121X	K0114.3122X	3	M12	23	45	37	14	28	2	17	33	-/48	-/145	148/-	-/15	26	20/25/30/40/50/60
K0114.3161X	K0114.3162X	3	M16	23	45	37	14	28	2	17	33	-/48	-/145	148/-	-/15	26	20/25/30/40/50/60

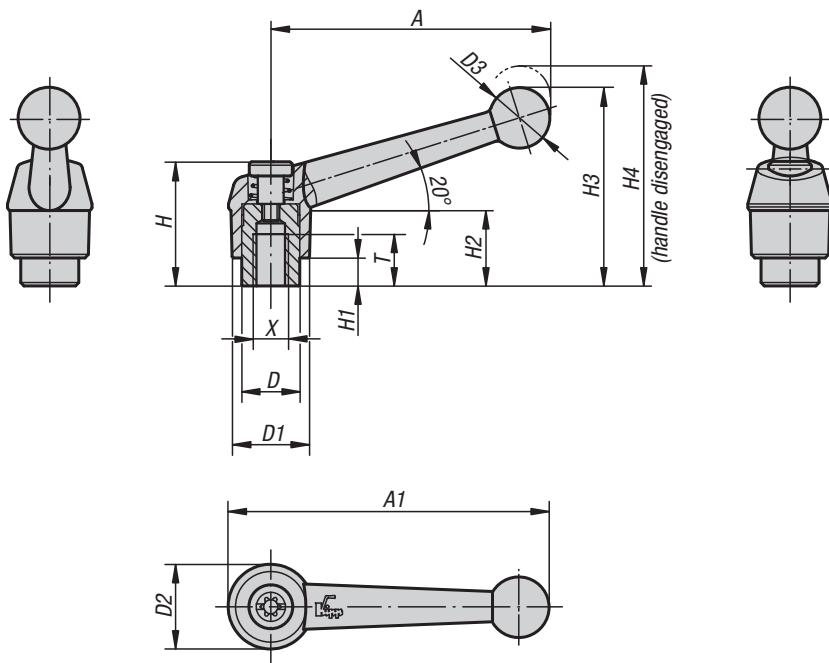
Adjustable Handles

Classic Ball Style, Zinc, inserts and internal components steel, internal thread



INCH
Parts

METRIC
Parts



Material:

Handle die-cast zinc DIN 12844.
Steel parts quality class 5.8.

Type:

Handle powder-coated,
steel parts black oxide finish

Part Number Example:

K0116.1AE1

Note:

Standard colors are:
black satin finish, silver metallic.

On request:

Other internal threads, colors and special versions.
Dimension "H1" can be produced in other lengths at
an additional charge.



Adjustable Handles

Classic Ball Style, Zinc, inserts and internal components steel, internal thread



KIPP Adjustable Handles, Classic Ball Style, Zinc, with internal thread, components in steel, inch

Item No. black, satin finish	Item No. silver metallic	Size	X	T	D	D1	D2	D3	H	H1	H2	H3	H4	A	A1	No. of teeth
K0116.1AE1	K0116.1AE3	1	8-32	9	10	13	14	10.5	24.5	4	15	32.5	35.5	39	46	16
K0116.1A01	K0116.1A03	1	10-24	9	10	13	14	10.5	24.5	4	15	32.5	35.5	39	46	16
K0116.1A11	K0116.1A13	1	10-32	9	10	13	14	10.5	24.5	4	15	32.5	35.5	39	46	16
K0116.1A21	K0116.1A23	1	1/4-20	9	10	13	14	10.5	24.5	4	15	32.5	35.5	39	46	16
K0116.2A21	K0116.2A23	2	1/4-20	12	13.5	18	18.5	15.5	28.5	6.5	16.5	45.5	49.5	64	73	20
K0116.2A31	K0116.2A33	2	5/16-18	12	13.5	18	18.5	15.5	28.5	6.5	16.5	45.5	49.5	64	73	20
K0116.3A31	K0116.3A33	3	5/16-18	14	16	21	22	17	37	10	23	57.5	61.5	79	90	22
K0116.3A41	K0116.3A43	3	3/8-16	14	16	21	22	17	37	10	23	57.5	61.5	79	90	22
K0116.4A41	K0116.4A43	4	3/8-16	17	19	25	26	19	42.5	10	26	67	72	95	108	24
K0116.4A51	K0116.4A53	4	1/2-13	17	19	25	26	19	42.5	10	26	67	72	95	108	24
K0116.5A51	K0116.5A53	5	1/2-13	23	23	30	31	22	49	12	32	79	84	110	126	26
K0116.5A61	K0116.5A63	5	5/8-11	23	23	30	31	22	49	12	32	79	84	110	126	26

KIPP Adjustable Handles, Classic Ball Style, Zinc, with internal thread, components in steel, metric

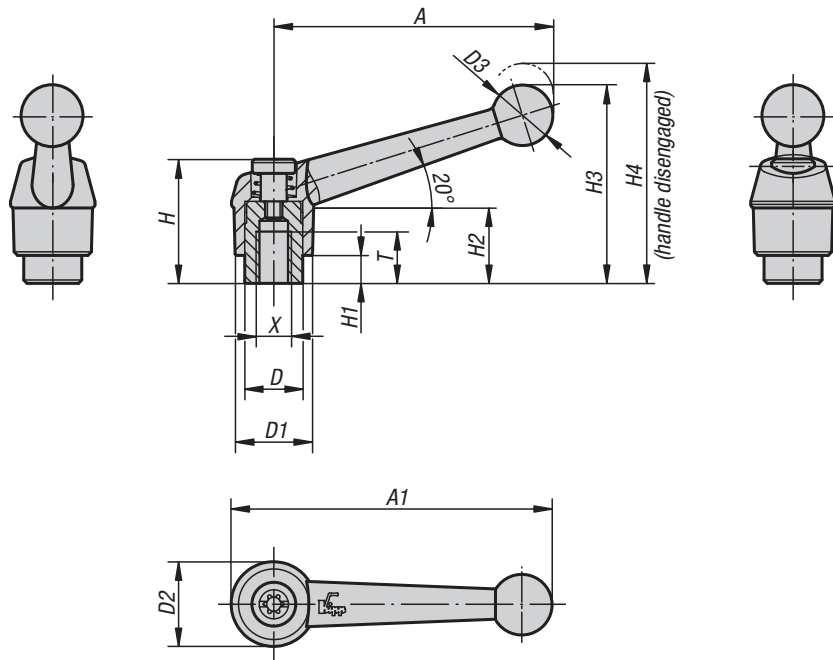
Item No. black satin finish	Item No. silver metallic	Size	X	T	D	D1	D2	D3	H	H1	H2	H3	H4	A	A1	No. of teeth
K0116.1041	K0116.1043	1	M4	9	10	13	14	10,5	24,5	4	15	32,5	35,5	39	46	16
K0116.1051	K0116.1053	1	M5	9	10	13	14	10,5	24,5	4	15	32,5	35,5	39	46	16
K0116.1061	K0116.1063	1	M6	9	10	13	14	10,5	24,5	4	15	32,5	35,5	39	46	16
K0116.2061	K0116.2063	2	M6	12	13,5	18	18,5	15,5	28,5	6,5	16,5	45,5	49,5	64	73	20
K0116.2081	K0116.2083	2	M8	12	13,5	18	18,5	15,5	28,5	6,5	16,5	45,5	49,5	64	73	20
K0116.3081	K0116.3083	3	M8	14	16	21	22	17	37	10	23	57,5	61,5	79	90	22
K0116.3101	K0116.3103	3	M10	14	16	21	22	17	37	10	23	57,5	61,5	79	90	22
K0116.4101	K0116.4103	4	M10	17	19	25	26	19	42,5	10	26	67	72	95	108	24
K0116.4121	K0116.4123	4	M12	17	19	25	26	19	42,5	10	26	67	72	95	108	24
K0116.5121	K0116.5123	5	M12	23	23	30	31	22	49	12	32	79	84	110	126	26
K0116.5161	K0116.5163	5	M16	23	23	30	31	22	49	12	32	79	84	110	126	26

Adjustable Handles

Classic Ball Style, Zinc, inserts and internal components stainless steel, internal thread



INCH Parts METRIC Parts



Material:

Handle die-cast zinc DIN 12844.
Steel parts stainless steel 1.4305.

Type:

Handle powder-coated,
steel parts natural finish.

Part Number Example:

K0117.1A01

Note:

Standard colors are:
black satin finish, silver metallic.

On request:

Other internal threads, colors and special versions.
Dimension "H1" can be produced in other lengths
at an additional charge.



Adjustable Handles

Classic Ball Style, Zinc, inserts and internal components stainless steel, internal thread



KIPP Adjustable Handles, Classic Ball Style, Zinc, with internal thread, components in stainless steel, inch

Item No. black, satin finish	Item No. silver metallic	Size	X	T	D	D1	D2	D3	H	H1	H2	H3	H4	A	A1	No. of teeth
K0117.1A01	K0117.1A03	1	10-24	9	10	13	14	10.5	24.5	4	15	32.5	35.5	39	46	16
K0117.1A11	K0117.1A13	1	10-32	9	10	13	14	10.5	24.5	4	15	32.5	35.5	39	46	16
K0117.1A21	K0117.1A23	1	1/4-20	9	10	13	14	10.5	24.5	4	15	32.5	35.5	39	46	16
K0117.2A21	K0117.2A23	2	1/4-20	12	13.5	18	18.5	15.5	28.5	6.5	16.5	45.5	49.5	64	73	20
K0117.2A31	K0117.2A33	2	5/16-18	12	13.5	18	18.5	15.5	28.5	6.5	16.5	45.5	49.5	64	73	20
K0117.3A31	K0117.3A33	3	5/16-18	14	16	21	22	17	37	10	23	57.5	61.5	79	90	22
K0117.3A41	K0117.3A43	3	3/8-16	14	16	21	22	17	37	10	23	57.5	61.5	79	90	22
K0117.4A41	K0117.4A43	4	3/8-16	17	19	25	26	19	42.5	10	26	67	72	95	108	24
K0117.4A51	K0117.4A53	4	1/2-13	17	19	25	26	19	42.5	10	26	67	72	95	108	24
K0117.5A51	K0117.5A53	5	1/2-13	23	23	30	31	22	49	12	32	79	84	110	126	26
K0117.5A61	K0117.5A63	5	5/8-11	23	23	30	31	22	49	12	32	79	84	110	126	26

KIPP Adjustable Handles, Classic Ball Style, Zinc, with internal thread, components in stainless steel, metric

Item No. black satin finish	Item No. silver metallic	Size	X	T	D	D1	D2	D3	H	H1	H2	H3	H4	A	A1	No. of teeth
K0117.1041	K0117.1043	1	M4	9	10	13	14	10,5	24,5	4	15	32,5	35,5	39	46	16
K0117.1051	K0117.1053	1	M5	9	10	13	14	10,5	24,5	4	15	32,5	35,5	39	46	16
K0117.1061	K0117.1063	1	M6	9	10	13	14	10,5	24,5	4	15	32,5	35,5	39	46	16
K0117.2061	K0117.2063	2	M6	12	13,5	18	18,5	15,5	28,5	6,5	16,5	45,5	49,5	64	73	20
K0117.2081	K0117.2083	2	M8	12	13,5	18	18,5	15,5	28,5	6,5	16,5	45,5	49,5	64	73	20
K0117.3081	K0117.3083	3	M8	14	16	21	22	17	37	10	23	57,5	61,5	79	90	22
K0117.3101	K0117.3103	3	M10	14	16	21	22	17	37	10	23	57,5	61,5	79	90	22
K0117.4101	K0117.4103	4	M10	17	19	25	26	19	42,5	10	26	67	72	95	108	24
K0117.4121	K0117.4123	4	M12	17	19	25	26	19	42,5	10	26	67	72	95	108	24
K0117.5121	K0117.5123	5	M12	23	23	30	31	22	49	12	32	79	84	110	126	26
K0117.5161	K0117.5163	5	M16	23	23	30	31	22	49	12	32	79	84	110	126	26

Adjustable Handles

Classic Ball Style, Zinc, bolts and internal components in steel, external thread



INCH Parts METRIC Parts



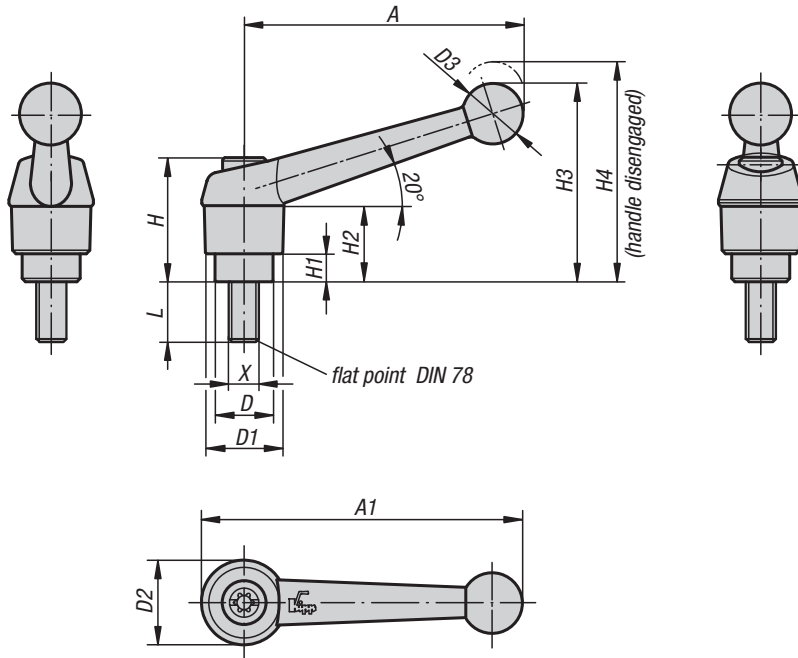
Material:
Handle die-cast zinc DIN 12844.
Steel parts quality class 5.8.

Type:
Handle powder-coated;
steel bolts and internal components black oxide finish

Part Number Example:
K0116.1A01X10
(include length L)

Note:
Standard colors are:
black satin finish, silver metallic.

On request:
Other external threads, screw lengths, colors and special versions.
Dimension "H1" can be produced in other lengths at an additional charge.



KIPP Measurements, external thread

Size	X	D	D1	D2	D3	H	H1	H2	H3	H4	A	A1	No. of teeth
1	10-24 / M5	10	13	14	10.5	24.5	4	15	32.5	35.5	39	46	16
1	10-32	10	13	14	10.5	24.5	4	15	32.5	35.5	39	46	16
1	1/4-20 / M6	10	13	14	10.5	24.5	4	15	32.5	35.5	39	46	16
2	1/4-20 / M6	13.5	18	18.5	15.5	28.5	6.5	16.5	45.5	49.5	64	73	20
2	5/16-18 / M8	13.5	18	18.5	15.5	28.5	6.5	16.5	45.5	49.5	64	73	20
2	3/8-16 / M10	13.5	18	18.5	15.5	28.5	6.5	16.5	45.5	49.5	64	73	20
3	5/16-18 / M8	16	21	22	17	37	10	23	57.5	61.5	79	90	22
3	3/8-16 / M10	16	21	22	17	37	10	23	57.5	61.5	79	90	22
4	3/8-16 / M10	19	25	26	19	42.5	10	26	67	72	95	108	24
4	1/2-13 / M12	19	25	26	19	42.5	10	26	67	72	95	108	24
5	1/2-13 / M12	23	30	31	22	49	12	32	79	84	110	126	26
5	5/8-11 / M16	23	30	31	22	49	12	32	79	84	110	126	26

Adjustable Handles

Classic Ball Style, Zinc, bolts and internal components in steel, external thread



KIPP Adjustable Handles, Classic Ball Style, Zinc, with external thread, components in steel, inch

Item No. black satin finish	Item No. silver metallic	Size	X	L
K0116.1A01X	K0116.1A03X	1	10-24	10/15/20/25/30/35/40/45/50
K0116.1A11X	K0116.1A13X	1	10-32	10/15/20/25/30/35/40/45/50
K0116.1A21X	K0116.1A23X	1	1/4-20	10/15/20/25/30/35/40/45/50
K0116.2A21X	K0116.2A23X	2	1/4-20	15/20/25/30/35/40/45/50/55/60
K0116.2A31X	K0116.2A33X	2	5/16-18	15/20/25/30/35/40/45/50/55/60
K0116.2A41X	K0116.2A43X	2	3/8-16	15/20/25/30/35/40/45/50/55/60
K0116.3A31X	K0116.3A33X	3	5/16-18	15/20/25/30/35/40/45/50/55/60
K0116.3A41X	K0116.3A43X	3	3/8-16	15/20/25/30/35/40/45/50/55/60
K0116.4A41X	K0116.4A43X	4	3/8-16	20/25/30/35/40/45/50/55/60/70/80/90
K0116.4A51X	K0116.4A53X	4	1/2-13	20/25/30/35/40/45/50/55/60/70/80/90
K0116.5A51X	K0116.5A53X	5	1/2-13	25/30/35/40/45/50/55/60/70/80/90
K0116.5A61X	K0116.5A63X	5	5/8-11	25/30/35/40/45/50/55/60/70/80/90

KIPP Adjustable Handles, Classic Ball Style, Zinc, with external thread, components in steel, metric

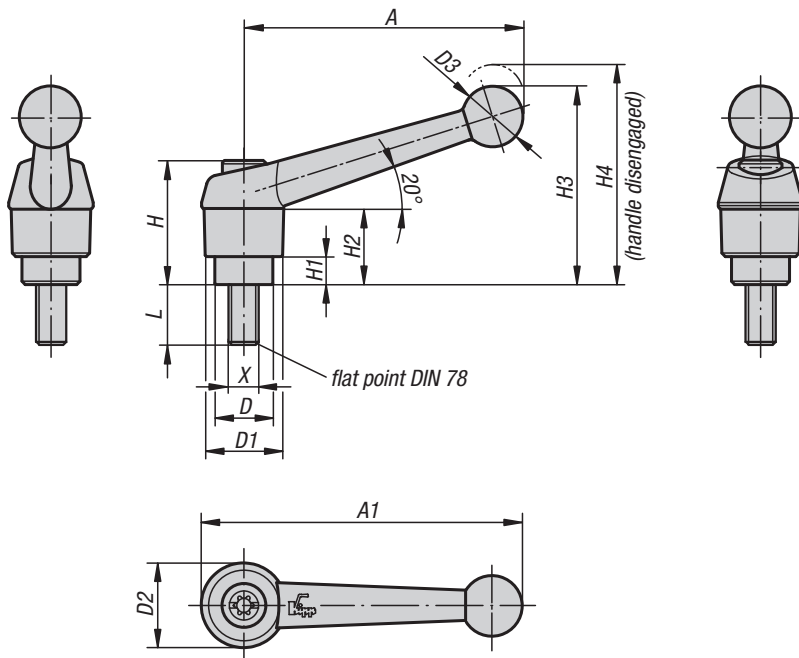
Item No. black satin finish	Item No. silver metallic	Size	X	L
K0116.1051X	K0116.1053X	1	M5	10/15/20/25/30/35/40/45/50
K0116.1061X	K0116.1063X	1	M6	10/15/20/25/30/35/40/45/50
K0116.2061X	K0116.2063X	2	M6	15/20/25/30/35/40/45/50/55/60
K0116.2081X	K0116.2083X	2	M8	15/20/25/30/35/40/45/50/55/60
K0116.2101X	K0116.2103X	2	M10	15/20/25/30/35/40/45/50/55/60
K0116.3081X	K0116.3083X	3	M8	15/20/25/30/35/40/45/50/55/60
K0116.3101X	K0116.3103X	3	M10	15/20/25/30/35/40/45/50/55/60
K0116.4101X	K0116.4103X	4	M10	20/25/30/35/40/45/50/55/60/70/80/90
K0116.4121X	K0116.4123X	4	M12	20/25/30/35/40/45/50/55/60/70/80/90
K0116.5121X	K0116.5123X	5	M12	25/30/35/40/45/50/55/60/70/80/90
K0116.5161X	K0116.5163X	5	M16	25/30/35/40/45/50/55/60/70/80/90

Adjustable Handles

Classic Ball Style, Zinc, bolts and internal components in stainless steel, external thread



INCH Parts METRIC Parts



Material:

Handle die-cast zinc DIN 12844.
Steel parts stainless steel 1.4305.

Type:

Handle powder-coated;
stainless steel bolts and internal components natural finish

Part Number Example:

K0117.1A01X15
(include length L)

Note:

Standard colors are:
black satin finish, silver metallic.

On request:

Other external threads, screw lengths, colors and special versions.
Dimension "H1" can be produced in other lengths at an additional charge.



KIPP Measurements, external thread

Size	X	D	D1	D2	D3	H	H1	H2	H3	H4	A	A1	No. of teeth
1	10-24 / M5	10	13	14	10.5	24.5	4	15	32.5	35.5	39	46	16
1	10-32	10	13	14	10.5	24.5	4	15	32.5	35.5	39	46	16
1	1/4-20 / M6	10	13	14	10.5	24.5	4	15	32.5	35.5	39	46	16
2	1/4-20 / M6	13.5	18	18.5	15.5	28.5	6.5	16.5	45.5	49.5	64	73	20
2	5/16-18 / M8	13.5	18	18.5	15.5	28.5	6.5	16.5	45.5	49.5	64	73	20
2	3/8-16 / M10	13.5	18	18.5	15.5	28.5	6.5	16.5	45.5	49.5	64	73	20
3	5/16-18 / M8	16	21	22	17	37	10	23	57.5	61.5	79	90	22
3	3/8-16 / M10	16	21	22	17	37	10	23	57.5	61.5	79	90	22
4	1/2-13 / M12	19	25	26	19	42.5	10	26	67	72	95	108	24
5	5/8-11 / M16	23	30	31	22	49	12	32	79	84	110	126	26

Adjustable Handles

Classic Ball Style, Zinc, bolts and internal components in stainless steel, external thread



KIPP Adjustable Handles, Classic Ball Style, Zinc, with external thread, components in stainless steel, inch

Item No. black satin finish	Item No. silver metallic	Size	X	L
K0117.1A01X	K0117.1A03X	1	10-24	15/20/25
K0117.1A11X	K0117.1A13X	1	10-32	15/20/25
K0117.1A21X	K0117.1A23X	1	1/4-20	10/15/20/25/30/40/50
K0117.2A21X	K0117.2A23X	2	1/4-20	15/20/25/30/40/50/60
K0117.2A31X	K0117.2A33X	2	5/16-18	15/20/25/30/40/50/60
K0117.2A41X	K0117.2A43X	2	3/8-16	20/25/30/40/50/60
K0117.3A31X	K0117.3A33X	3	5/16-18	20/25/30/40/50/60
K0117.3A41X	K0117.3A43X	3	3/8-16	20/25/30/40/50/60
K0117.4A51X	K0117.4A53X	4	1/2-13	25/30/40/50/60
K0117.5A61X	K0117.5A63X	5	5/8-11	30/40/50/60

KIPP Adjustable Handles, Classic Ball Style, Zinc, with external thread, components in stainless steel, metric

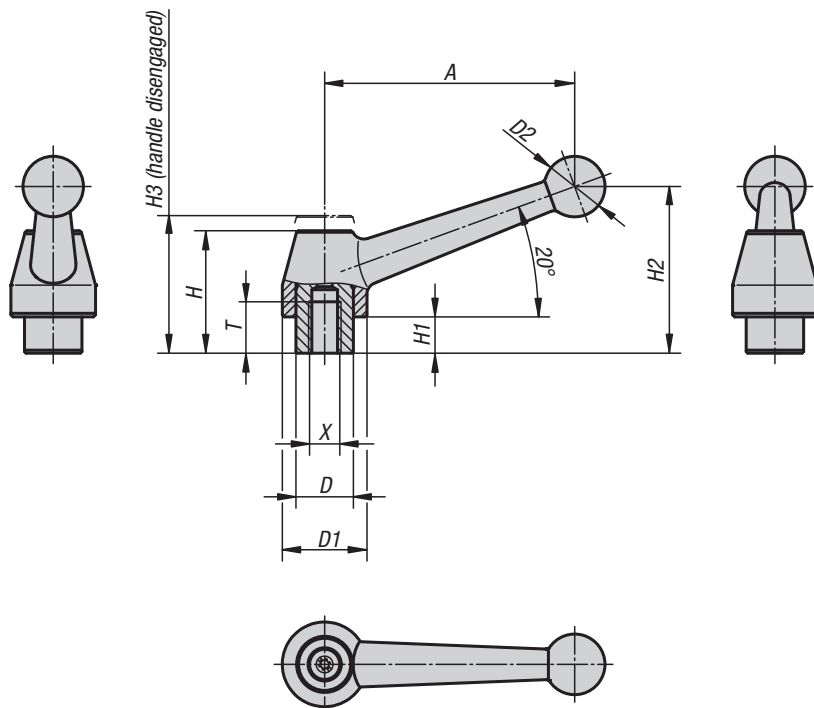
Item No. black satin finish	Item No. silver metallic	Size	X	L
K0117.1051X	K0117.1053X	1	M5	10/15/20/25
K0117.1061X	K0117.1063X	1	M6	10/15/20/25/30/40/50
K0117.2061X	K0117.2063X	2	M6	15/20/25/30/40/50/60
K0117.2081X	K0117.2083X	2	M8	15/20/25/30/40/50/60
K0117.2101X	K0117.2103X	2	M10	20/25/30/40/50/60
K0117.3081X	K0117.3083X	3	M8	20/25/30/40/50/60
K0117.3101X	K0117.3103X	3	M10	20/25/30/40/50/60
K0117.4121X	K0117.4123X	4	M12	25/30/40/50/60
K0117.5161X	K0117.5163X	5	M16	30/40/50/60

Adjustable Handles

Classic Ball Style, Steel, internal thread



INCH Parts METRIC Parts



Material:

Handle 1.0401.
All other steel parts quality class 5.8.

Type:

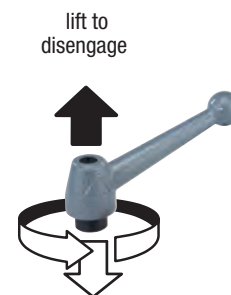
Handle painted silver-gray with hammertone finish, steel parts black oxide finish.

Part Number Example:

K0120.1A3

On request:

Other internal threads and special versions.
Dimension "H1" can be produced in other lengths at an additional charge.



KIPP Adjustable Handles, Classic Ball Style, with internal thread, inch

Item No.	Version	Size	X	T	D	D1	D2	H	H1	H2	H3	A	No. of teeth
K0120.1A3	silver-gray steel	1	5/16-18	17	19	28	20	41	12	54	49	83	24
K0120.1A4	silver-gray steel	1	3/8-16	17	19	28	20	41	12	54	49	83	24
K0120.1A5	silver-gray steel	1	1/2-13	17	19	28	20	41	12	54	49	83	24
K0120.2A5	silver-gray steel	2	1/2-13	23	23	35	25	50	12	69	56	108	26
K0120.2A6	silver-gray steel	2	5/8-11	23	23	35	25	50	12	69	56	108	26
K0120.3A6	silver-gray steel	3	5/8-11	27	30	43	30	58.5	12	78	65	132	36
K0120.3A7	silver-gray steel	3	3/4-10	27	30	43	30	58.5	12	78	65	132	36

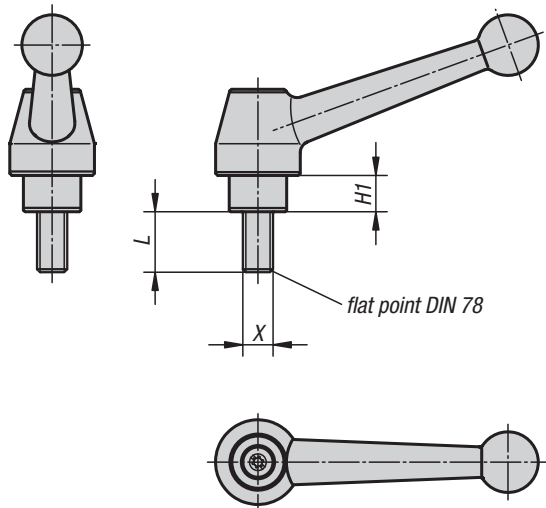
KIPP Adjustable Handles, Classic Ball Style, with internal thread, metric

Item No.	Version	Size	X	T	D	D1	D2	H	H1	H2	H3	A	No. of teeth
K0120.108	silver-gray steel	1	M8	17	19	28	20	41	12	54	49	83	24
K0120.110	silver-gray steel	1	M10	17	19	28	20	41	12	54	49	83	24
K0120.112	silver-gray steel	1	M12	17	19	28	20	41	12	54	49	83	24
K0120.212	silver-gray steel	2	M12	23	23	35	25	50	12	69	56	108	26
K0120.216	silver-gray steel	2	M16	23	23	35	25	50	12	69	56	108	26
K0120.316	silver-gray steel	3	M16	27	30	43	30	58,5	12	78	65	132	36
K0120.320	silver-gray steel	3	M20	27	30	43	30	58,5	12	78	65	132	36

Adjustable Handles

Classic Ball Style, Steel, external thread

INCH Parts METRIC Parts



Material:

Handle 1.0401.
All other steel parts quality class 5.8.

Type:

Handle painted silver-gray with hammertone finish, steel parts black oxide finish.

Part Number Example:

K0120.1A4X20
(include length L)

Note:

For other dimensions see adjustable handles with internal thread.

On request:

Other external threads, screw lengths and special versions.
Dimension "H1" can be produced in other lengths at an additional charge.



KIPP Adjustable Handles, Classic Ball Style, with external thread, inch

Item No.	Version	Size	X	H1	L
K0120.1A4X	silver-gray steel	1	3/8-16	12	20/30/40/45/50/60
K0120.1A5X	silver-gray steel	1	1/2-13	12	20/30/40/45/50/60
K0120.2A5X	silver-gray steel	2	1/2-13	12	25/30/40/45/50/60
K0120.2A6X	silver-gray steel	2	5/8-11	12	25/30/40/45/50/60
K0120.3A6X	silver-gray steel	3	5/8-11	12	30/40/50/60
K0120.3A7X	silver-gray steel	3	3/4-10	12	30/40/50/60

KIPP Adjustable Handles, Classic Ball Style, with external thread, metric

Item No.	Version	Size	X	H1	L
K0120.110X	silver-gray steel	1	M10	12	20/25/30/35/40/45/50/55/60/70/80/90
K0120.112X	silver-gray steel	1	M12	12	20/25/30/35/40/45/50/55/60/70/80/90
K0120.212X	silver-gray steel	2	M12	12	25/30/35/40/45/50/55/60/70/80/90
K0120.216X	silver-gray steel	2	M16	12	25/30/35/40/45/50/55/60/70/80/90
K0120.316X	silver-gray steel	3	M16	12	30/40/50/60/70/80/90
K0120.320X	silver-gray steel	3	M20	12	30/40/50/60/70/80/90

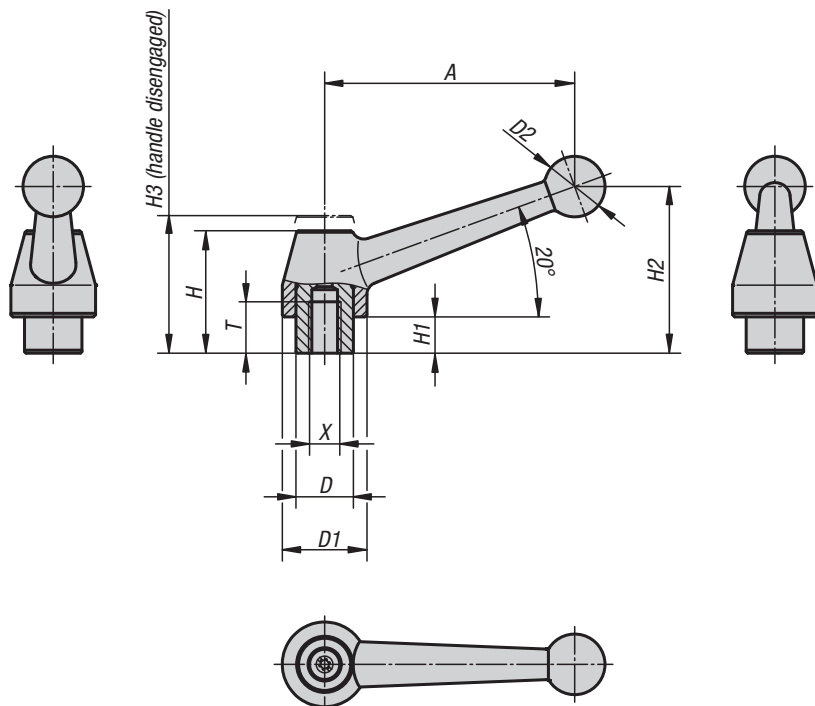
Adjustable Handles

Classic Ball Style, Stainless steel components, internal thread



INCH Parts

METRIC Parts



Material:

Handle in stainless steel 1.4308;
all other steel parts stainless steel 1.4305

Type:

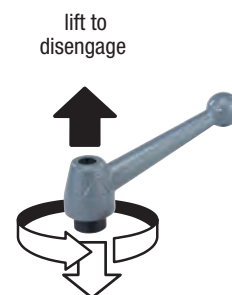
Handle in stainless steel electrolytic-polish.
Steel parts natural finish.

Part Number Example:

K0121.11A3

On request:

Other internal threads and special versions.
Dimension "H1" can be produced in other lengths at an additional charge.



KIPP Adjustable Handles, Classic Ball Style, with internal thread, inch

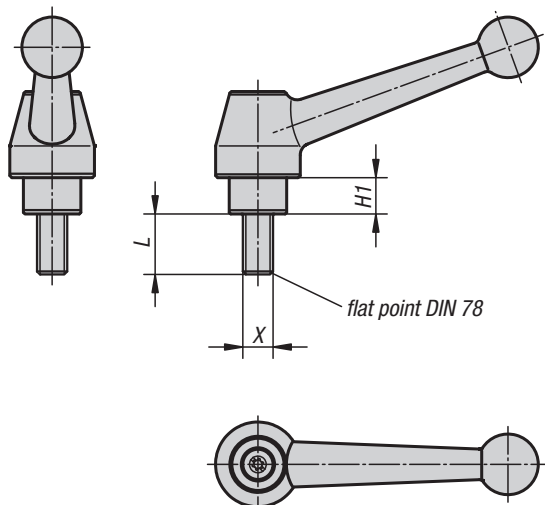
Item No.	Version	Size	X	T	D	D1	D2	H	H1	H2	H3	A	No. of teeth
K0121.11A3	electrolytic-polish stainless steel	1	5/16-18	17	19	28	20	41	12	54	49	83	24
K0121.11A4	electrolytic-polish stainless steel	1	3/8-16	17	19	28	20	41	12	54	49	83	24
K0121.11A5	electrolytic-polish stainless steel	1	1/2-13	17	19	28	20	41	12	54	49	83	24

KIPP Adjustable Handles, Classic Ball Style, with internal thread, metric

Item No.	Version	Size	X	T	D	D1	D2	H	H1	H2	H3	A	No. of teeth
K0121.1108	electrolytic-polish stainless steel	1	M8	17	19	28	20	41	12	54	49	83	24
K0121.1110	electrolytic-polish stainless steel	1	M10	17	19	28	20	41	12	54	49	83	24
K0121.1112	electrolytic-polish stainless steel	1	M12	17	19	28	20	41	12	54	49	83	24

Adjustable Handles

Classic Ball Style, Stainless steel components, external thread



Material:

Handle in stainless steel 1.4308;
all other steel parts stainless steel 1.4305

Type:

Handle in stainless steel electrolytic-polish.
Steel parts natural finish.

Part Number Example:

K0121.11A4X20
(include length L)

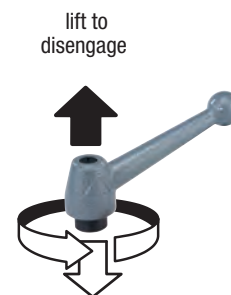
Note:

For other dimensions see adjustable handles with internal thread.

On request:

Other external threads, screw lengths and special versions.

Dimension "H1" can be produced in other lengths at an additional charge.



KIPP Adjustable Handles, Classic Ball Style, with external thread, inch

Item No.	Version	Size	X	H1	L
K0121.11A4X	electrolytic-polish stainless steel	1	3/8-16	12	20/30/40/45/50/60
K0121.11A5X	electrolytic-polish stainless steel	1	1/2-13	12	20/30/40/45/50/60

KIPP Adjustable Handles, Classic Ball Style, with external thread, metric

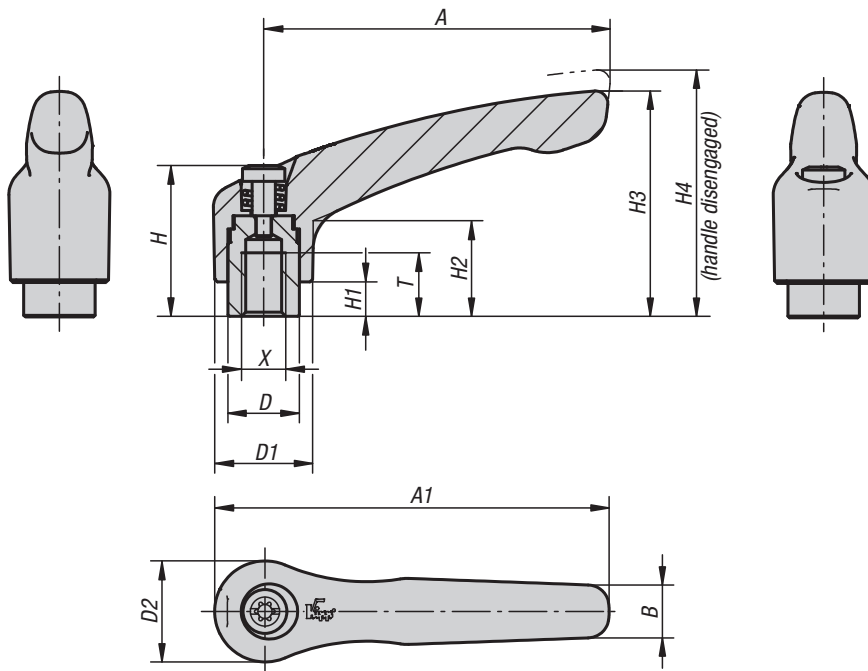
Item No.	Version	Size	X	H1	L
K0121.1110X	electrolytic-polish stainless steel	1	M10	12	25/30/40/50/60
K0121.1112X	electrolytic-polish stainless steel	1	M12	12	25/30/40/50/60

Adjustable Handles

Modern Design Style, Zinc, inserts and internal components in steel, internal thread



METRIC Parts INCH Parts



Material:

Handle die-cast zinc DIN 12844.
Steel parts quality class 5.8.

Type:

Handle powder-coated, except high-polished chromium plated versions, steel parts black oxide finish

Part Number Example:

K0122.OAD1
(handle color black satin finish)

Note:

Δ Add the desired lever color here.

Standard colors are:

black satin finish, orange RAL 2004, ruby red RAL 3003, silver metallic, high gloss chromate.

On request:

Other internal threads, colors and special versions.

Dimension "H1" can be produced in other lengths at an additional charge.

lift to disengage



black satin finish Δ = 1	orange Δ = 2 RAL 2004	ruby red Δ = 27 RAL 3003	silver metallic Δ = 3	high-polish chromium-plated Δ = 6
--------------------------	--------------------------	-----------------------------	-----------------------	-----------------------------------

Adjustable Handles

Modern Design Style, Zinc, inserts and internal components in steel, internal thread



KIPP Adjustable Handles, Modern Design Style, Zinc, with internal thread, components in steel, inch

Item No.	Size	X	T	D	D1	D2	H	H1	H2	H3	H4	A	A1	B	No. of teeth
K0122.0A0Δ	0	6-32	9	10	13	14	24.5	4	14.5	30	33	30	37	7	16
K0122.0A1Δ	0	8-32	9	10	13	14	24.5	4	14.5	30	33	30	37	7	16
K0122.0A0Δ	0	10-24	9	10	13	14	24.5	4	14.5	30	33	30	37	7	16
K0122.0A1Δ	0	10-32	9	10	13	14	24.5	4	14.5	30	33	30	37	7	16
K0122.0A2Δ	0	1/4-20	9	10	13	14	24.5	4	14.5	30	33	30	37	7	16
K0122.1A0Δ	1	8-32	9	10	13	14	24.5	4	14.5	31	34	40	47	7	16
K0122.1A1Δ	1	10-24	9	10	13	14	24.5	4	14.5	31	34	40	47	7	16
K0122.1A1Δ	1	10-32	9	10	13	14	24.5	4	14.5	31	34	40	47	7	16
K0122.1A2Δ	1	1/4-20	9	10	13	14	24.5	4	14.5	31	34	40	47	7	16
K0122.2A2Δ	2	1/4-20	12	13.5	18.5	19	28.5	6.5	17.5	42.5	45.5	65	74.5	9.5	20
K0122.2A3Δ	2	5/16-18	12	13.5	18.5	19	28.5	6.5	17.5	42.5	45.5	65	74.5	9.5	20
K0122.3A3Δ	3	5/16-18	14	16	21	22	37	10	24	54.5	58.5	80	91	11	22
K0122.3A4Δ	3	3/8-16	14	16	21	22	37	10	24	54.5	58.5	80	91	11	22
K0122.4A4Δ	4	3/8-16	17	19	27	27.5	43	10	27	63	67.5	95	109	13	24
K0122.4A5Δ	4	1/2-13	17	19	27	27.5	43	10	27	63	67.5	95	109	13	24
K0122.5A5Δ	5	1/2-13	23	23	31	32	49	12	31.5	73	77.5	110	126	15	26
K0122.5A6Δ	5	5/8-11	23	23	31	32	49	12	31.5	73	77.5	110	126	15	26

KIPP Adjustable Handles, Modern Design Style, Zinc, with internal thread, components in steel, metric

Item No.	Size	X	T	D	D1	D2	H	H1	H2	H3	H4	A	A1	B	No. of teeth
K0122.003Δ	0	M3	9	10	13	14	24,5	4	14,5	30	33	30	37	7	16
K0122.004Δ	0	M4	9	10	13	14	24,5	4	14,5	30	33	30	37	7	16
K0122.005Δ	0	M5	9	10	13	14	24,5	4	14,5	30	33	30	37	7	16
K0122.104Δ	1	M4	9	10	13	14	24,5	4	14,5	31	34	40	47	7	16
K0122.105Δ	1	M5	9	10	13	14	24,5	4	14,5	31	34	40	47	7	16
K0122.106Δ	1	M6	9	10	13	14	24,5	4	14,5	31	34	40	47	7	16
K0122.206Δ	2	M6	12	13,5	18,5	19	28,5	6,5	17,5	42,5	45,5	65	74,5	9,5	20
K0122.208Δ	2	M8	12	13,5	18,5	19	28,5	6,5	17,5	42,5	45,5	65	74,5	9,5	20
K0122.308Δ	3	M8	14	16	21	22	37	10	24	54,5	58,5	80	91	11	22
K0122.310Δ	3	M10	14	16	21	22	37	10	24	54,5	58,5	80	91	11	22
K0122.410Δ	4	M10	17	19	27	27,5	43	10	27	63	67,5	95	109	13	24
K0122.412Δ	4	M12	17	19	27	27,5	43	10	27	63	67,5	95	109	13	24
K0122.512Δ	5	M12	23	23	31	32	49	12	31,5	73	77,5	110	126	15	26
K0122.516Δ	5	M16	23	23	31	32	49	12	31,5	73	77,5	110	126	15	26

Adjustable Handles

Modern Design Style, Zinc, bolts and internal components in steel, external thread



INCH Parts METRIC Parts



Material:

Handle die-cast zinc DIN 12844.
Steel parts quality class 5.8.

Type:

Handle powder-coated, except high-polished chromium plated versions, steel parts black oxide finish

Part Number Example:

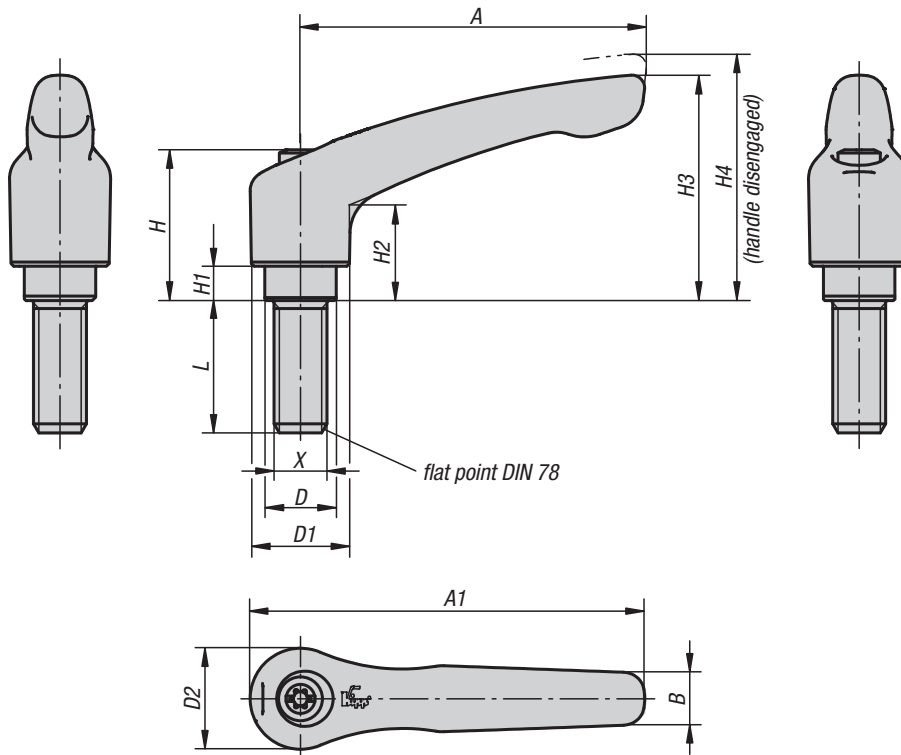
K0122.0AE1X10
(handle color black satin finish;
include length L)

Note:

Δ Add the desired handle color here

On request:

Other external threads, screw lengths, colors and special versions.
Dimension "H1" can be produced in other lengths at an additional charge.



black satin finish Δ = 1 	orange Δ = 2 RAL 2004 	ruby red Δ = 27 RAL 3003 	silver metallic Δ = 3 	high-polish chromium-plated Δ = 6 
---	---	--	--	--

Adjustable Handles

Modern Design Style, Zinc, bolts and internal components in steel, external thread

KIPP Adjustable Handles, Modern Design Style, Zinc, with external thread, components in steel, inch

Item No.	Size	X	D	D1	D2	H	H1	H2	H3	H4	A	A1	B	No. of teeth	L
K0122.0AEΔX	0	8-32	10	13	14	24.5	4	14.5	30	33	30	37	7	16	10/15/20/25/30/35/40/45/50
K0122.0A0ΔX	0	10-24	10	13	14	24.5	4	14.5	30	33	30	37	7	16	10/15/20/25/30/35/40/45/50
K0122.0A1ΔX	0	10-32	10	13	14	24.5	4	14.5	30	33	30	37	7	16	10/15/20/25/30/35/40/45/50
K0122.0A2ΔX	0	1/4-20	10	13	14	24.5	4	14.5	30	33	30	37	7	16	10/15/20/25/30/35/40/45/50
K0122.1A0ΔX	1	10-24	10	13	14	24.5	4	14.5	31	34	40	47	7	16	10/15/20/25/30/35/40/45/50
K0122.1A1ΔX	1	10-32	10	13	14	24.5	4	14.5	31	34	40	47	7	16	10/15/20/25/30/35/40/45/50
K0122.1A2ΔX	1	1/4-20	10	13	14	24.5	4	14.5	31	34	40	47	7	16	10/15/20/25/30/35/40/45/50
K0122.2A2ΔX	2	1/4-20	13.5	18.5	19	28.5	6.5	17.5	42.5	45.5	65	74.5	9.5	20	15/20/25/30/35/40/45/50/55/60
K0122.2A3ΔX	2	5/16-18	13.5	18.5	19	28.5	6.5	17.5	42.5	45.5	65	74.5	9.5	20	15/20/25/30/35/40/45/50/55/60
K0122.2A4ΔX	2	3/8-16	13.5	18.5	19	28.5	6.5	17.5	42.5	45.5	65	74.5	9.5	20	15/20/25/30/35/40/45/50/55/60
K0122.3A3ΔX	3	5/16-18	16	21	22	37	10	24	54.5	58.5	80	91	11	22	15/20/25/30/35/40/45/50/55/60
K0122.3A4ΔX	3	3/8-16	16	21	22	37	10	24	54.5	58.5	80	91	11	22	15/20/25/30/35/40/45/50/55/60
K0122.4A4ΔX	4	3/8-16	19	27	27.5	43	10	27	63	67.5	95	109	13	24	20/25/30/35/40/45/50/55/60/70/80/90
K0122.4A5ΔX	4	1/2-13	19	27	27.5	43	10	27	63	67.5	95	109	13	24	20/25/30/35/40/45/50/55/60/70/80/90
K0122.5A5ΔX	5	1/2-13	23	31	32	49	12	31.5	73	77.5	110	126	15	26	25/30/35/40/45/50/55/60/70/80/90
K0122.5A6ΔX	5	5/8-11	23	31	32	49	12	31.5	73	77.5	110	126	15	26	25/30/35/40/45/50/55/60/70/80/90

KIPP Adjustable Handles, Modern Design Style, Zinc, with external thread, components in steel, metric

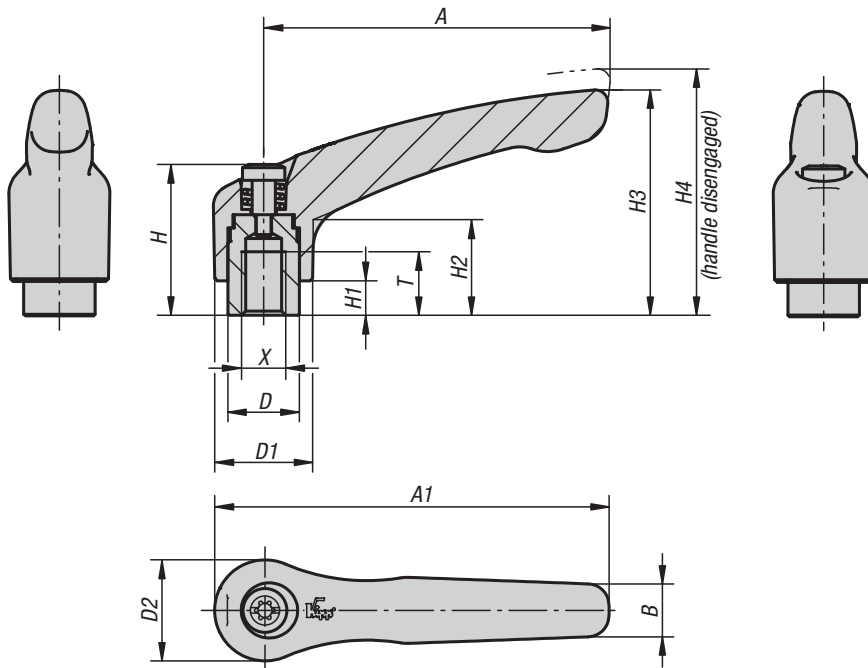
Item No.	Size	X	D	D1	D2	H	H1	H2	H3	H4	A	A1	B	No. of teeth	L
K0122.004ΔX	0	M4	10	13	14	24,5	4	14,5	30	33	30	37	7	16	10/15/20/25/30/35/40/45/50
K0122.005ΔX	0	M5	10	13	14	24,5	4	14,5	30	33	30	37	7	16	10/15/20/25/30/35/40/45/50
K0122.105ΔX	1	M5	10	13	14	24,5	4	14,5	31	34	40	47	7	16	10/15/20/25/30/35/40/45/50
K0122.106ΔX	1	M6	10	13	14	24,5	4	14,5	31	34	40	47	7	16	10/15/20/25/30/35/40/45/50
K0122.206ΔX	2	M6	13,5	18,5	19	28,5	6,5	17,5	42,5	45,5	65	74,5	9,5	20	15/20/25/30/35/40/45/50/55/60
K0122.208ΔX	2	M8	13,5	18,5	19	28,5	6,5	17,5	42,5	45,5	65	74,5	9,5	20	15/20/25/30/35/40/45/50/55/60
K0122.210ΔX	2	M10	13,5	18,5	19	28,5	6,5	17,5	42,5	45,5	65	74,5	9,5	20	15/20/25/30/35/40/45/50/55/60
K0122.308ΔX	3	M8	16	21	22	37	10	24	54,5	58,5	80	91	11	22	15/20/25/30/35/40/45/50/55/60
K0122.310ΔX	3	M10	16	21	22	37	10	24	54,5	58,5	80	91	11	22	15/20/25/30/35/40/45/50/55/60
K0122.410ΔX	4	M10	19	27	27,5	43	10	27	63	67,5	95	109	13	24	20/25/30/35/40/45/50/55/60/70/80/90
K0122.412ΔX	4	M12	19	27	27,5	43	10	27	63	67,5	95	109	13	24	20/25/30/35/40/45/50/55/60/70/80/90
K0122.512ΔX	5	M12	23	31	32	49	12	31,5	73	77,5	110	126	15	26	25/30/35/40/45/50/55/60/70/80/90
K0122.516ΔX	5	M16	23	31	32	49	12	31,5	73	77,5	110	126	15	26	25/30/35/40/45/50/55/60/70/80/90

Adjustable Handles

Modern Design Style, Zinc, inserts and internal components stainless steel, internal thread



INCH Parts METRIC Parts



Material:

Handle die-cast zinc DIN 12844.
Steel parts stainless steel 1.4305.

Type:

Handle powder-coated, except high-polished chromium plated versions, steel parts natural finish

Part Number Example:

K0123.0AD1
(handle color black satin finish)

Note:

Δ Add the desired handle color here

On request:

Other internal threads, colors and special versions.

Dimension "H1" can be produced in other lengths at an additional charge.



black satin finish Δ = 1 	orange Δ = 2 RAL 2004 	ruby red Δ = 27 RAL 3003 	silver metallic Δ = 3 	high-polish chromium-plated Δ = 6 
---	---	--	--	--

Adjustable Handles

Modern Design Style, Zinc, inserts and internal components stainless steel, internal thread



KIPP Adjustable Handles, Modern Design Style, Zinc, with internal thread, components in stainless steel, inch

Item No.	Size	X	T	D	D1	D2	H	H1	H2	H3	H4	A	A1	B	No. of teeth
K0123.0A0Δ	0	6-32	9	10	13	14	24.5	4	14.5	30	33	30	37	7	16
K0123.0AEΔ	0	8-32	9	10	13	14	24.5	4	14.5	30	33	30	37	7	16
K0123.0A0Δ	0	10-24	9	10	13	14	24.5	4	14.5	30	33	30	37	7	16
K0123.0A1Δ	0	10-32	9	10	13	14	24.5	4	14.5	30	33	30	37	7	16
K0123.0A2Δ	0	1/4-20	9	10	13	14	24.5	4	14.5	30	33	30	37	7	16
K0123.1A0Δ	1	10-24	9	10	13	14	24.5	4	14.5	31	34	40	47	7	16
K0123.1A1Δ	1	10-32	9	10	13	14	24.5	4	14.5	31	34	40	47	7	16
K0123.1A2Δ	1	1/4-20	9	10	13	14	24.5	4	14.5	31	34	40	47	7	16
K0123.2A2Δ	2	1/4-20	12	13.5	18.5	19	28.5	6.5	17.5	42.5	45.5	65	74.5	9.5	20
K0123.2A3Δ	2	5/16-18	12	13.5	18.5	19	28.5	6.5	17.5	42.5	45.5	65	74.5	9.5	20
K0123.3A3Δ	3	5/16-18	14	16	21	22	37	10	24	54.5	58.5	80	91	11	22
K0123.3A4Δ	3	3/8-16	14	16	21	22	37	10	24	54.5	58.5	80	91	11	22
K0123.4A4Δ	4	3/8-16	17	19	27	27.5	43	10	27	63	67.5	95	109	13	24
K0123.4A5Δ	4	1/2-13	17	19	27	27.5	43	10	27	63	67.5	95	109	13	24
K0123.5A5Δ	5	1/2-13	23	23	31	32	49	12	31.5	73	77.5	110	126	15	26
K0123.5A6Δ	5	5/8-11	23	23	31	32	49	12	31.5	73	77.5	110	126	15	26

KIPP Adjustable Handles, Modern Design Style, Zinc, with internal thread, components in stainless steel, metric

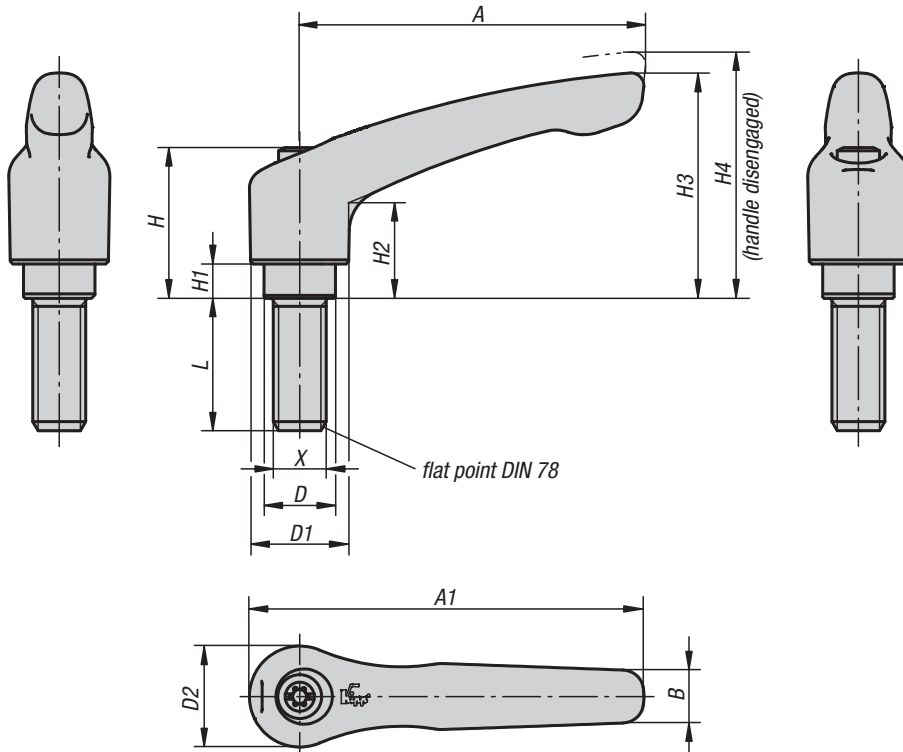
Item No.	Size	X	T	D	D1	D2	H	H1	H2	H3	H4	A	A1	B	No. of teeth
K0123.003Δ	0	M3	9	10	13	14	24,5	4	14,5	30	33	30	37	7	16
K0123.004Δ	0	M4	9	10	13	14	24,5	4	14,5	30	33	30	37	7	16
K0123.005Δ	0	M5	9	10	13	14	24,5	4	14,5	30	33	30	37	7	16
K0123.104Δ	1	M4	9	10	13	14	24,5	4	14,5	31	34	40	47	7	16
K0123.105Δ	1	M5	9	10	13	14	24,5	4	14,5	31	34	40	47	7	16
K0123.106Δ	1	M6	9	10	13	14	24,5	4	14,5	31	34	40	47	7	16
K0123.206Δ	2	M6	12	13,5	18,5	19	28,5	6,5	17,5	42,5	45,5	65	74,5	9,5	20
K0123.208Δ	2	M8	12	13,5	18,5	19	28,5	6,5	17,5	42,5	45,5	65	74,5	9,5	20
K0123.308Δ	3	M8	14	16	21	22	37	10	24	54,5	58,5	80	91	11	22
K0123.310Δ	3	M10	14	16	21	22	37	10	24	54,5	58,5	80	91	11	22
K0123.410Δ	4	M10	17	19	27	27,5	43	10	27	63	67,5	95	109	13	24
K0123.412Δ	4	M12	17	19	27	27,5	43	10	27	63	67,5	95	109	13	24
K0123.512Δ	5	M12	23	23	31	32	49	12	31,5	73	77,5	110	126	15	26
K0123.516Δ	5	M16	23	23	31	32	49	12	31,5	73	77,5	110	126	15	26

Adjustable Handles

Modern Design Style, Zinc, bolts and internal components in stainless steel, external thread



INCH Parts
METRIC Parts



Material:

Handle die-cast zinc DIN 12844.
Steel parts stainless steel 1.4305.

Type:

Handle powder-coated, except high-polished chromium plated versions, steel parts natural finish

Part Number Example:

K0123.0AE1X10
(handle color black satin finish;
include length L)

Note:

Δ Add the desired handle color here

On request:

Other external threads, screw lengths, colors and special versions.
Dimension „H1“ can be produced in other lengths at an additional charge.



black satin finish Δ = 1	orange Δ = 2 RAL 2004	ruby red Δ = 27 RAL 3003	silver metallic Δ = 3	high-polish chromium-plated Δ = 6
--------------------------	--------------------------	-----------------------------	-----------------------	-----------------------------------

Adjustable Handles

Modern Design Style, Zinc, bolts and internal components in stainless steel, external thread



KIPP Adjustable Handles, Modern Design Style, Zinc, with external thread, components in stainless steel, inch

Item No.	Size	X	D	D1	D2	H	H1	H2	H3	H4	A	A1	B	No. of teeth	L
K0123.0AEΔX	0	8-32	10	13	14	24.5	4	14.5	30	33	30	37	7	16	10/15/20/25
K0123.0A0ΔX	0	10-24	10	13	14	24.5	4	14.5	30	33	30	37	7	16	10/15/20/25
K0123.0A1ΔX	0	10-32	10	13	14	24.5	4	14.5	30	33	30	37	7	16	10/15/20/25
K0123.0A2ΔX	0	1/4-20	10	13	14	24.5	4	14.5	30	33	30	37	7	16	10/15/20/25/30/40/50
K0123.1A0ΔX	1	10-24	10	13	14	24.5	4	14.5	31	34	40	47	7	16	15/20/25
K0123.1A1ΔX	1	10-32	10	13	14	24.5	4	14.5	31	34	40	47	7	16	15/20/25
K0123.1A2ΔX	1	1/4-20	10	13	14	24.5	4	14.5	31	34	40	47	7	16	10/15/20/25/30/40/50
K0123.2A2ΔX	2	1/4-20	13.5	18.5	19	28.5	6.5	17.5	42.5	45.5	65	74.5	9.5	20	15/20/25/30/40/50/60
K0123.2A3ΔX	2	5/16-18	13.5	18.5	19	28.5	6.5	17.5	42.5	45.5	65	74.5	9.5	20	15/20/25/30/40/50/60
K0123.2A4ΔX	2	3/8-16	13.5	18.5	19	28.5	6.5	17.5	42.5	45.5	65	74.5	9.5	20	20/25/30/40/50/60
K0123.3A3ΔX	3	5/16-18	16	21	22	37	10	24	54.5	58.5	80	91	11	22	20/25/30/40/50/60
K0123.3A4ΔX	3	3/8-16	16	21	22	37	10	24	54.5	58.5	80	91	11	22	20/25/30/40/50/60
K0123.4A5ΔX	4	1/2-13	19	27	27.5	43	10	27	63	67.5	95	109	13	24	25/30/40/50/60
K0123.5A6ΔX	5	5/8-11	23	31	32	49	12	31.5	73	77.5	110	126	15	26	30/40/50/60

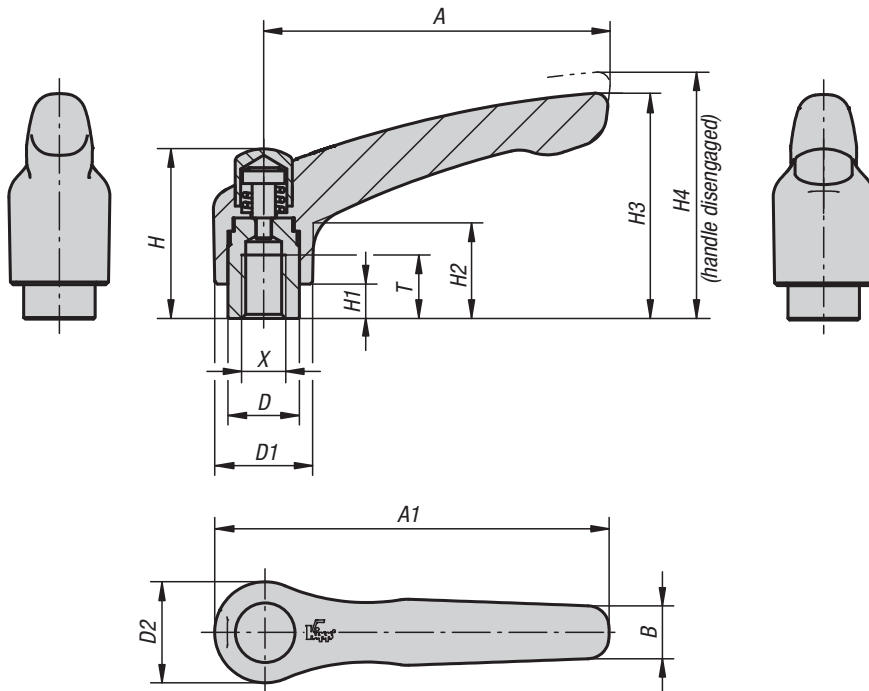
KIPP Adjustable Handles, Modern Design Style, Zinc, with external thread, components in stainless steel, metric

Item No.	Size	X	D	D1	D2	H	H1	H2	H3	H4	A	A1	B	No. of teeth	L
K0123.004ΔX	0	M4	10	13	14	24,5	4	14,5	30	33	30	37	7	16	10/15/20/25
K0123.005ΔX	0	M5	10	13	14	24,5	4	14,5	30	33	30	37	7	16	10/15/20/25
K0123.105ΔX	1	M5	10	13	14	24,5	4	14,5	31	34	40	47	7	16	10/15/20/25
K0123.106ΔX	1	M6	10	13	14	24,5	4	14,5	31	34	40	47	7	16	10/15/20/25/30/40/50
K0123.206ΔX	2	M6	13,5	18,5	19	28,5	6,5	17,5	42,5	45,5	65	74,5	9,5	20	15/20/25/30/40/50/60
K0123.208ΔX	2	M8	13,5	18,5	19	28,5	6,5	17,5	42,5	45,5	65	74,5	9,5	20	15/20/25/30/40/50/60
K0123.210ΔX	2	M10	13,5	18,5	19	28,5	6,5	17,5	42,5	45,5	65	74,5	9,5	20	20/25/30/40/50/60
K0123.308ΔX	3	M8	16	21	22	37	10	24	54,5	58,5	80	91	11	22	20/25/30/40/50/60
K0123.310ΔX	3	M10	16	21	22	37	10	24	54,5	58,5	80	91	11	22	20/25/30/40/50/60
K0123.412ΔX	4	M12	19	27	27,5	43	10	27	63	67,5	95	109	13	24	25/30/40/50/60
K0123.516ΔX	5	M16	23	31	32	49	12	31,5	73	77,5	110	126	15	26	30/40/50/60

Adjustable Handles with protective cap

Modern Design Style, Zinc, inserts and internal components in steel, internal thread

INCH Parts METRIC Parts



Material:

Handle die-cast zinc DIN 12844.
Steel parts quality class 5.8.
Protective cap stainless steel, 1.4305.

Type:

Handle powder-coated;
steel parts black oxide finish;
protective cap in stainless steel, natural finish

Part Number Example:

K0122.92A21

Note:

Standard colors are:
black satin finish, orange RAL 2004.

On request:

Other internal threads, colors and special versions.
Dimension "H1" can be produced in other lengths at an additional charge.



Adjustable Handles with protective cap

Modern Design Style, Zinc, inserts and internal components in steel, internal thread



KIPP Adjustable Handles with protective cap, Zinc, bolts and internal components in steel, internal thread, inch

Item No. black satin finish	Item No. orange	Size	X	T	D	D1	D2	H	H1	H2	H3	H4	A	A1	B	No. of teeth
K0122.92A21	K0122.92A22	2	1/4-20	12	13.5	18.5	19	32	6.5	17.5	42.5	45.5	65	74.5	9.5	20
K0122.92A31	K0122.92A32	2	5/16-18	12	13.5	18.5	19	32	6.5	17.5	42.5	45.5	65	74.5	9.5	20
K0122.93A31	K0122.93A32	3	5/16-18	14	16	21	22	41.5	10	24	54.5	58.5	80	91	11	22
K0122.93A41	K0122.93A42	3	3/8-16	14	16	21	22	41.5	10	24	54.5	58.5	80	91	11	22

KIPP Adjustable Handles with protective cap, Zinc, bolts and internal components in steel, internal thread, metric

Item No. black satin finish	Item No. orange	Size	X	T	D	D1	D2	H	H1	H2	H3	H4	A	A1	B	No. of teeth
K0122.92061	K0122.92062	2	M6	12	13,5	18,5	19	32	6,5	17,5	42,5	45,5	65	74,5	9,5	20
K0122.92081	K0122.92082	2	M8	12	13,5	18,5	19	32	6,5	17,5	42,5	45,5	65	74,5	9,5	20
K0122.93081	K0122.93082	3	M8	14	16	21	22	41,5	10	24	54,5	58,5	80	91	11	22
K0122.93101	K0122.93102	3	M10	14	16	21	22	41,5	10	24	54,5	58,5	80	91	11	22

Adjustable Handles with protective cap

Modern Design Style, Zinc, bolts and internal components in steel, external thread



INCH Parts METRIC Parts



Material:

Handle die-cast zinc DIN 12844.
Steel parts quality class 5.8.
Protective cap stainless steel, 1.4305.

Type:

Handle powder-coated;
steel parts black oxide finish;
protective cap stainless steel, natural finish

Part Number Example:

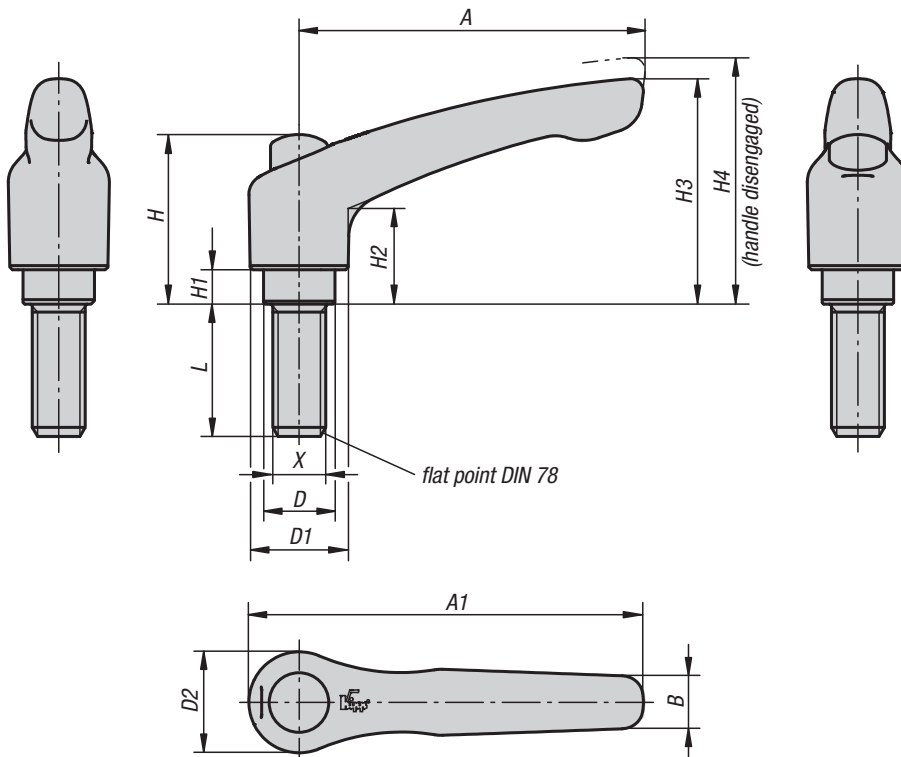
K0122.92A21X15
(include length L)

Note:

Standard colors are:
black satin finish, orange RAL 2004.

On request:

Other internal threads, colors and special versions.
Dimension "H1" can be produced in other lengths at an additional charge.



lift to disengage



Adjustable Handles with protective cap

Modern Design Style, Zinc, bolts and internal components in steel, external thread



KIPP Measurements, external thread

Size	X	D	D1	D2	H	H1	H2	H3	H4	A	A1	B	No. of teeth
2	1/4-20 ; 5/16-18 ; 3/8-16	13.5	18.5	19	32	6.5	17.5	42.5	45.5	65	74.5	9.5	20
3	5/16-18 ; 3/8-16	16	21	22	41.5	10	24	54.5	58.5	80	91	11	22
2	M6 ; M8 ; M10	13,5	18,5	19	32	6,5	17,5	42,5	45,5	65	74,5	9,5	20
3	M8 ; M10	16	21	22	41,5	10	24	54,5	58,5	80	91	11	22

KIPP Adjustable Handles with protective cap, Zinc, bolts and internal components in steel, external thread, inch

Item No. black satin finish	Item No. orange	Size	X	L
K0122.92A21X	K0122.92A22X	2	1/4-20	15/20/25/30/35/40/45/50/55/60
K0122.92A31X	K0122.92A32X	2	5/16-18	15/20/25/30/35/40/45/50/55/60
K0122.92A41X	K0122.92A42X	2	3/8-16	15/20/25/30/35/40/45/50/55/60
K0122.93A31X	K0122.93A32X	3	5/16-18	15/20/25/30/35/40/45/50/55/60
K0122.93A41X	K0122.93A42X	3	3/8-16	15/20/25/30/35/40/45/50/55/60

KIPP Adjustable Handles with protective cap, Zinc, bolts and internal components in steel, external thread, metric

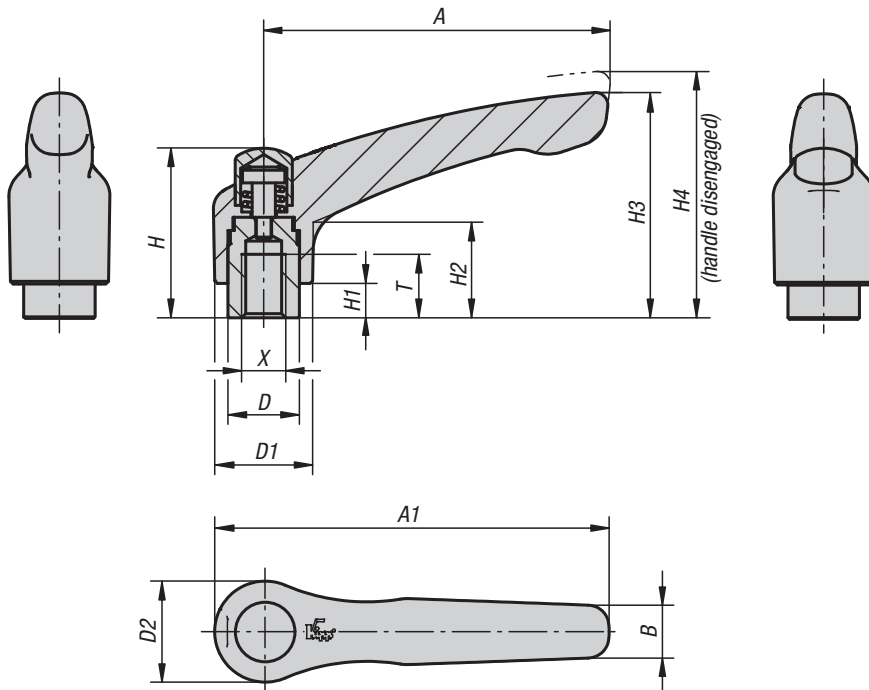
Item No. black satin finish	Item No. orange	Size	X	L
K0122.92061X	K0122.92062X	2	M6	15/20/25/30/35/40/45/50/55/60
K0122.92081X	K0122.92082X	2	M8	15/20/25/30/35/40/45/50/55/60
K0122.92101X	K0122.92102X	2	M10	15/20/25/30/35/40/45/50/55/60
K0122.93081X	K0122.93082X	3	M8	15/20/25/30/35/40/45/50/55/60
K0122.93101X	K0122.93102X	3	M10	15/20/25/30/35/40/45/50/55/60

Adjustable Handles with protective cap

Modern Design Style, Zinc, inserts and internal components in stainless steel, internal thread



INCH Parts METRIC Parts



Material:

Handle in die cast zinc to DIN 12844; steel parts in stainless steel, 1.4305; protective cap in stainless steel, 1.4305

Type:

Handle powder-coated; steel parts natural finish; protective cap stainless steel, natural finish

Part Number Example:

K0123.92A21

Note:

Standard colors are: black satin finish, orange RAL 2004.

On request:

Other internal threads, colors and special versions. Dimension "H1" can be produced in other lengths at an additional charge.



Adjustable Handles with protective cap

Modern Design Style, Zinc, inserts and internal components in stainless steel, internal thread



KIPP Adjustable Handles with protective cap, inserts and internal components in stainless steel, internal thread, inch

Item No. black satin finish	Item No. orange	Size	X	T	D	D1	D2	H	H1	H2	H3	H4	A	A1	B	No. of teeth
K0123.92A21	K0123.92A22	2	1/4-20	12	13.5	18.5	19	32	6.5	17.5	42.5	45.5	65	74.5	9.5	20
K0123.92A31	K0123.92A32	2	5/16-18	12	13.5	18.5	19	32	6.5	17.5	42.5	45.5	65	74.5	9.5	20
K0123.93A31	K0123.93A32	3	5/16-18	14	16	21	22	41.5	10	24	54.5	58.5	80	91	11	22
K0123.93A41	K0123.93A42	3	3/8-16	14	16	21	22	41.5	10	24	54.5	58.5	80	91	11	22

KIPP Adjustable Handles with protective cap, inserts and internal components in stainless steel, internal thread, metric

Item No. black satin finish	Item No. orange	Size	X	T	D	D1	D2	H	H1	H2	H3	H4	A	A1	B	No. of teeth
K0123.92061	K0123.92062	2	M6	12	13,5	18,5	19	32	6,5	17,5	42,5	45,5	65	74,5	9,5	20
K0123.92081	K0123.92082	2	M8	12	13,5	18,5	19	32	6,5	17,5	42,5	45,5	65	74,5	9,5	20
K0123.93081	K0123.93082	3	M8	14	16	21	22	41,5	10	24	54,5	58,5	80	91	11	22
K0123.93101	K0123.93102	3	M10	14	16	21	22	41,5	10	24	54,5	58,5	80	91	11	22

Adjustable Handles with protective cap

Modern Design Style, Zinc, bolts and internal components in stainless steel, external thread



INCH Parts METRIC Parts



Material:

Handle in die cast zinc to DIN 12844; steel parts in stainless steel, 1.4305; protective cap in stainless steel, 1.4305

Type:

Handle powder-coated; steel parts natural finish; protective cap stainless steel, natural finish

Part Number Example:

K0123.92A21X15
(include length L)

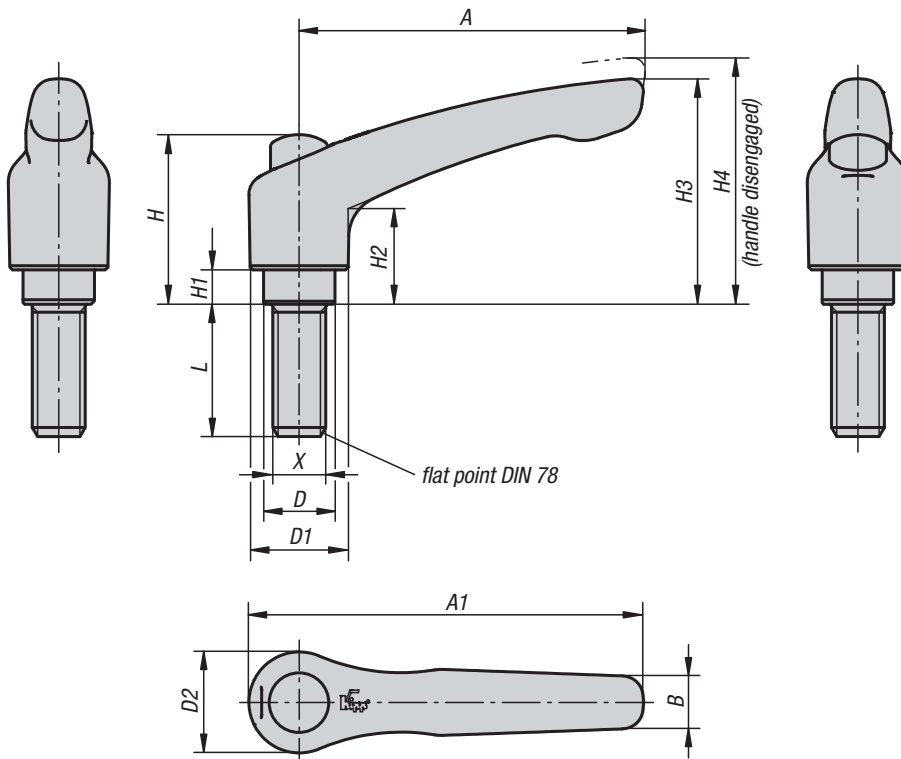
Note:

Standard colors are: black satin finish, orange RAL 2004.

On request:

Other external threads, screw lengths, colors and special versions.

Dimension "H1" can be produced in other lengths at an additional charge.



Adjustable Handles with protective cap

Modern Design Style, Zinc, bolts and internal components in stainless steel, external thread



KIPP Measurements, external thread

Size	X	D	D1	D2	H	H1	H2	H3	H4	A	A1	B	No. of teeth
2	1/4-20 ; 5/16-18 ; 3/8-16	13.5	18.5	19	32	6.5	17.5	42.5	45.5	65	74.5	9.5	20
3	5/16-18 ; 3/8-16	16	21	22	41.5	10	24	54.5	58.5	80	91	11	22
2	M6 ; M8 ; M10	13,5	18,5	19	32	6,5	17,5	42,5	45,5	65	74,5	9,5	20
3	M8 ; M10	16	21	22	41,5	10	24	54,5	58,5	80	91	11	22

KIPP Adjustable Handles with protective cap, Zinc, bolts and internal components in stainless steel, external thread, inch

Item No. black satin finish	Item No. orange	Size	X	L
K0123.92A21X	K0123.92A22X	2	1/4-20	15/20/25/30/40/50/60
K0123.92A31X	K0123.92A32X	2	5/16-18	15/20/25/30/40/50/60
K0123.92A41X	K0123.92A42X	2	3/8-16	20/25/30/40/50/60
K0123.93A31X	K0123.93A32X	3	5/16-18	20/25/30/40/50/60
K0123.93A41X	K0123.93A42X	3	3/8-16	20/25/30/40/50/60

KIPP Adjustable Handles with protective cap, Zinc, bolts and internal components in stainless steel, external thread, metric

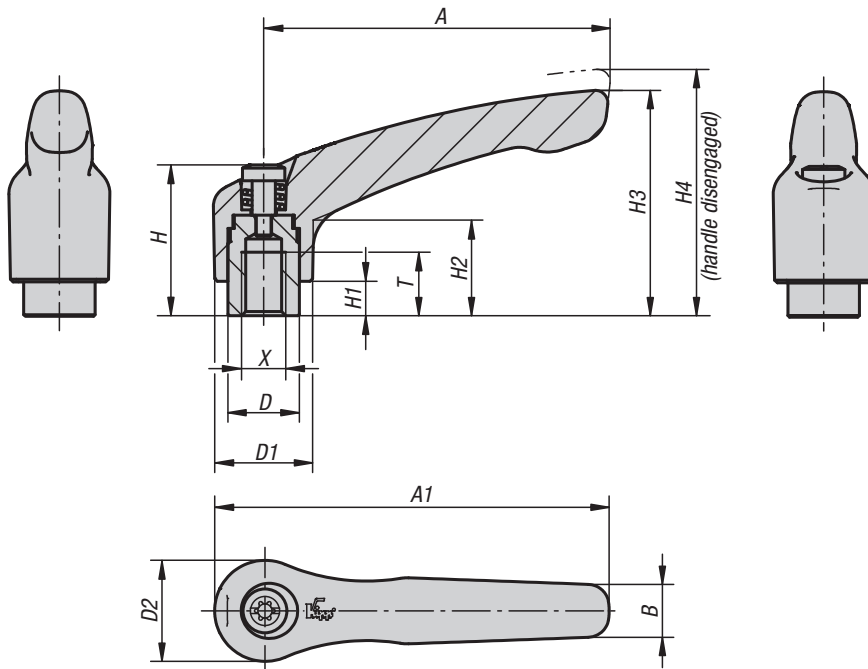
Item No. black satin finish	Item No. orange	Size	X	L
K0123.92061X	K0123.92062X	2	M6	15/20/25/30/40/50/60
K0123.92081X	K0123.92082X	2	M8	15/20/25/30/40/50/60
K0123.92101X	K0123.92102X	2	M10	20/25/30/40/50/60
K0123.93081X	K0123.93082X	3	M8	20/25/30/40/50/60
K0123.93101X	K0123.93102X	3	M10	20/25/30/40/50/60

Adjustable Handles

Modern Design Style, stainless steel, internal thread



Expanded Line



Material:

Handle in precision cast 1.4308, other steel parts 1.4305

Type:

Handle electrolytic polished. Steel parts natural finish.

Part Number Example:

K0124.1A0

On request:

Other internal threads and special versions. Dimension "H1" can be produced in other lengths at an additional charge.



Adjustable Handles

Modern Design Style, stainless steel, internal thread



KIPP Adjustable Handles, Modern Design Style, stainless steel, internal thread, inch

Item No.	Size	X	T	D	D1	D2	H	H1	H2	H3	H4	A	A1	B	No. of teeth
K0124.1A0	1	10-24	9	10	13	14	24.5	4	14.5	31	34	40	47	7	16
K0124.1A1	1	10-32	9	10	13	14	24.5	4	14.5	31	34	40	47	7	16
K0124.1A2	1	1/4-20	9	10	13	14	24.5	4	14.5	31	34	40	47	7	16
K0124.2A2	2	1/4-20	12	13.5	18.5	19	28.5	6.5	17.5	42.5	45.5	65	74.5	10	20
K0124.2A3	2	5/16-18	12	13.5	18.5	19	28.5	6.5	17.5	42.5	45.5	65	74.5	10	20
K0124.3A3	3	5/16-18	14	16	21	22	37	10	24	54.5	58.5	80	91	11	22
K0124.3A4	3	3/8-16	14	16	21	22	37	10	24	54.5	58.5	80	91	11	22
K0124.4A4	4	3/8-16	17	19	27	27.5	43	10	27	63	67.5	95	109	13	24
K0124.4A5	4	1/2-13	17	19	27	27.5	43	10	27	63	67.5	95	109	13	24
K0124.5A5	5	1/2-13	23	23	31	32	49	12	31.5	73	77.5	110	126	15	26
K0124.5A6	5	5/8-11	23	23	31	32	49	12	31.5	73	77.5	110	126	15	26

KIPP Adjustable Handles, Modern Design Style, stainless steel, internal thread, metric

Item No.	Size	X	T	D	D1	D2	H	H1	H2	H3	H4	A	A1	B	No. of teeth
K0124.104	1	M4	9	10	13	14	24,5	4	14,5	31	34	40	47	7	16
K0124.105	1	M5	9	10	13	14	24,5	4	14,5	31	34	40	47	7	16
K0124.106	1	M6	9	10	13	14	24,5	4	14,5	31	34	40	47	7	16
K0124.206	2	M6	12	13,5	18,5	19	28,5	6,5	17,5	42,5	45,5	65	74,5	10	20
K0124.208	2	M8	12	13,5	18,5	19	28,5	6,5	17,5	42,5	45,5	65	74,5	10	20
K0124.308	3	M8	14	16	21	22	37	10	24	54,5	58,5	80	91	11	22
K0124.310	3	M10	14	16	21	22	37	10	24	54,5	58,5	80	91	11	22
K0124.410	4	M10	17	19	27	27,5	43	10	27	63	67,5	95	109	13	24
K0124.412	4	M12	17	19	27	27,5	43	10	27	63	67,5	95	109	13	24
K0124.512	5	M12	23	23	31	32	49	12	31,5	73	77,5	110	126	15	26
K0124.516	5	M16	23	23	31	32	49	12	31,5	73	77,5	110	126	15	26

Adjustable Handles

Modern Design Style, stainless steel, external thread



Expanded Line



Material:

Handle in precision cast 1.4308, other steel parts 1.4305.

Type:

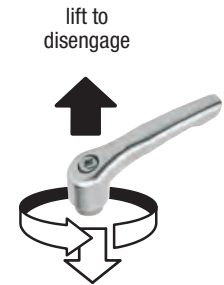
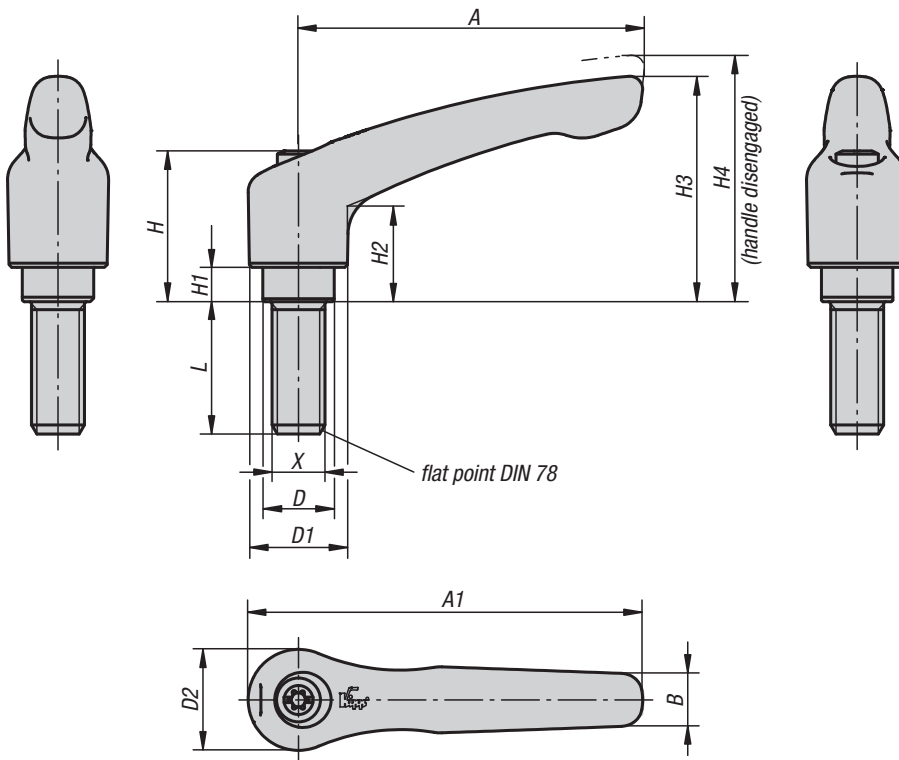
Handle electrolytic polished. Steel parts natural finish.

Part Number Example:

K0124.1A0X10
(include length L)

On request:

Other external threads, screw lengths and special versions. Dimension "H1" can be produced in other lengths at an additional charge.



Adjustable Handles

Modern Design Style, stainless steel, external thread

KIPP Adjustable Handles, Modern Design Style, stainless steel, external thread, inch

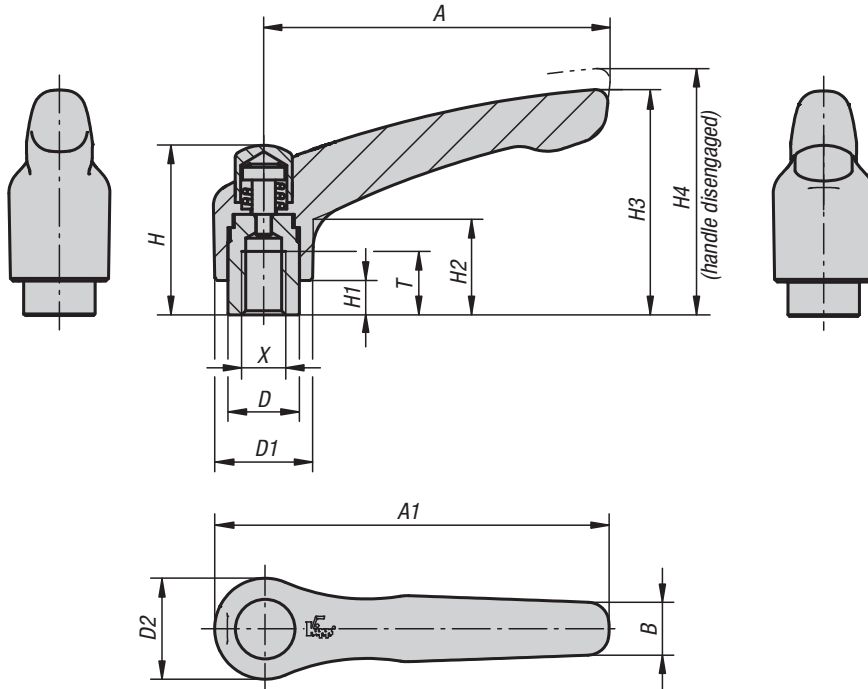
Item No.	Size	X	D	D1	D2	H	H1	H2	H3	H4	A	A1	B	No. of teeth	L
K0124.1A0X	1	10-24	10	13	14	24.5	4	14.5	31	34	40	47	7	16	10/15/20/25
K0124.1A1X	1	10-32	10	13	14	24.5	4	14.5	31	34	40	47	7	16	10/15/20/25
K0124.1A2X	1	1/4-20	10	13	14	24.5	4	14.5	31	34	40	47	7	16	10/15/20/25/30/40/50
K0124.2A2X	2	1/4-20	13.5	18.5	19	28.5	6.5	17.5	42.5	45.5	65	74.5	10	20	15/20/25/30/40/50/60
K0124.2A3X	2	5/16-18	13.5	18.5	19	28.5	6.5	17.5	42.5	45.5	65	74.5	10	20	15/20/25/30/40/50/60
K0124.2A4X	2	3/8-16	13.5	18.5	19	28.5	6.5	17.5	42.5	45.5	65	74.5	10	20	20/25/30/40/50/60
K0124.3A3X	3	5/16-18	16	21	22	37	10	24	54.5	58.5	80	91	11	22	20/25/30/40/50/60
K0124.3A4X	3	3/8-16	16	21	22	37	10	24	54.5	58.5	80	91	11	22	20/25/30/40/50/60
K0124.4A5X	4	1/2-13	19	27	27.5	43	10	27	63	67.5	95	109	13	24	25/30/40/50/60
K0124.5A6X	5	5/8-11	23	31	32	49	12	31.5	73	77.5	110	126	15	26	30/40/50/60

KIPP Adjustable Handles, Modern Design Style, stainless steel, external thread, metric

Item No.	Size	X	D	D1	D2	H	H1	H2	H3	H4	A	A1	B	No. of teeth	L
K0124.105X	1	M5	10	13	14	24,5	4	14,5	31	34	40	47	7	16	10/15/20/25
K0124.106X	1	M6	10	13	14	24,5	4	14,5	31	34	40	47	7	16	10/15/20/25/30/40/50
K0124.206X	2	M6	13,5	18,5	19	28,5	6,5	17,5	42,5	45,5	65	74,5	10	20	15/20/25/30/40/50/60
K0124.208X	2	M8	13,5	18,5	19	28,5	6,5	17,5	42,5	45,5	65	74,5	10	20	15/20/25/30/40/50/60
K0124.210X	2	M10	13,5	18,5	19	28,5	6,5	17,5	42,5	45,5	65	74,5	10	20	20/25/30/40/50/60
K0124.308X	3	M8	16	21	22	37	10	24	54,5	58,5	80	91	11	22	20/25/30/40/50/60
K0124.310X	3	M10	16	21	22	37	10	24	54,5	58,5	80	91	11	22	20/25/30/40/50/60
K0124.412X	4	M12	19	27	27,5	43	10	27	63	67,5	95	109	13	24	25/30/40/50/60
K0124.516X	5	M16	23	31	32	49	12	31,5	73	77,5	110	126	15	26	30/40/50/60

Adjustable Handles with protective cap

Modern Design Style, stainless steel, internal thread



Material:

Handle in precision cast 1.4308, other steel parts 1.4305.

Type:

Handle electrolytic polished. Steel parts natural finish.

Part Number Example:

K0124.92A2

Note:

Other internal threads and special versions. Dimension "H1" can be produced in other lengths at an additional charge.



KIPP Adjustable Handles with protective cap, Modern Design Style, stainless steel, internal thread, inch

Item No.	Size	X	T	D	D1	D2	H	H1	H2	H3	H4	A	A1	B	No. of teeth
K0124.92A2	2	1/4-20	12	13.5	18.5	19	32	6.5	17.5	42.5	45.5	65	74.5	10	10
K0124.92A3	2	5/16-18	12	13.5	18.5	19	32	6.5	17.5	42.5	45.5	65	74.5	10	10
K0124.93A3	3	5/16-18	14	16	21	22	41.5	10	24	54.5	58.5	80	91	11	11
K0124.93A4	3	3/8-16	14	16	21	22	41.5	10	24	54.5	58.5	80	91	11	11

KIPP Adjustable Handles with protective cap, Modern Design Style, stainless steel, internal thread, metric

Item No.	Size	X	T	D	D1	D2	H	H1	H2	H3	H4	A	A1	B	No. of teeth
K0124.9206	2	M6	12	13,5	18,5	19	32	6,5	17,5	42,5	45,5	65	74,5	10	20
K0124.9208	2	M8	12	13,5	18,5	19	32	6,5	17,5	42,5	45,5	65	74,5	10	20
K0124.9308	3	M8	14	16	21	22	41,5	10	24	54,5	58,5	80	91	11	22
K0124.9310	3	M10	14	16	21	22	41,5	10	24	54,5	58,5	80	91	11	22

Adjustable Handles with protective cap

Modern Design Style, stainless steel, external thread



Material:

Handle in precision cast 1.4308, other steel parts 1.4305.

Type:

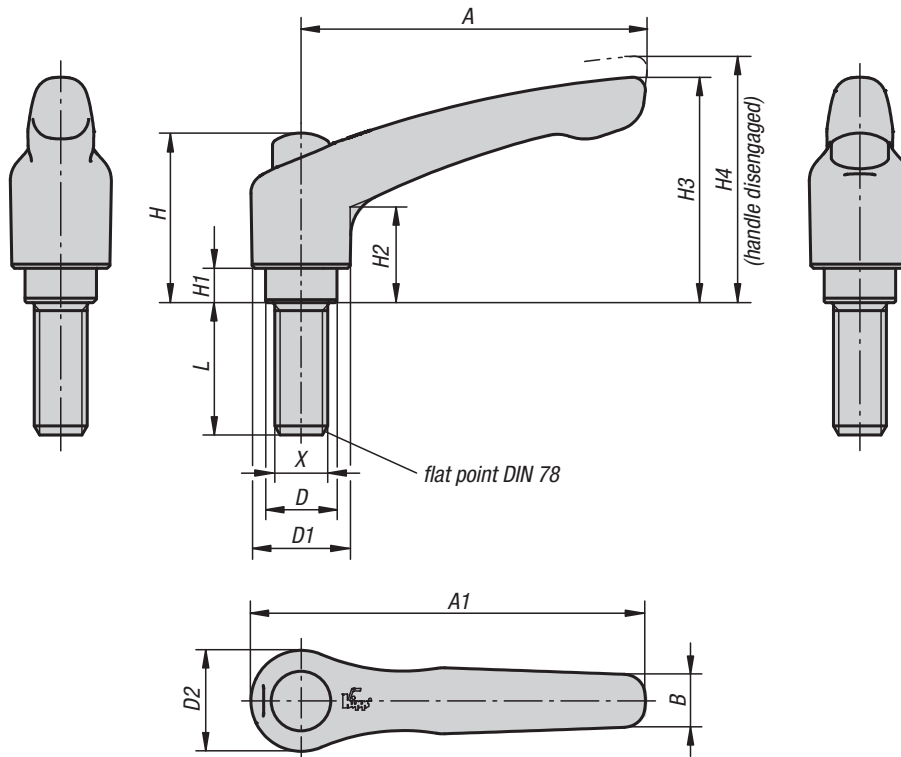
Handle electrolytic polished. Steel parts natural finish.

Part Number Example:

K0124.92A2X15
(include length L)

On request:

Other external threads, screw lengths and special versions. Dimension "H1" can be produced in other lengths at an additional charge.



KIPP Adjustable Handles with protective cap, Modern Design Style, stainless steel, external thread, inch

Item No.	Size	X	D	D1	D2	H	H1	H2	H3	H4	A	A1	B	No. of teeth	L
K0124.92A2X	2	1/4-20	13.5	18.5	19	32	6.5	17.5	42.5	45.5	65	74.5	10	10	15/20/25/30/40/50/60
K0124.92A3X	2	5/16-18	13.5	18.5	19	32	6.5	17.5	42.5	45.5	65	74.5	10	10	15/20/25/30/40/50/60
K0124.92A4X	2	3/8-16	13.5	18.5	19	32	6.5	17.5	42.5	45.5	65	74.5	10	10	20/25/30/40/50/60
K0124.93A3X	3	5/16-18	16	21	22	41.5	10	24	54.5	58.5	80	91	11	11	20/25/30/40/50/60
K0124.93A4X	3	3/8-16	16	21	22	41.5	10	24	54.5	58.5	80	91	11	11	20/25/30/40/50/60

KIPP Adjustable Handles with protective cap, Modern Design Style, stainless steel, external thread, metric

Item No.	Size	X	D	D1	D2	H	H1	H2	H3	H4	A	A1	B	No. of teeth	L
K0124.9206X	2	M6	13,5	18,5	19	32	6,5	17,5	42,5	45,5	65	74,5	10	20	15/20/25/30/40/50/60
K0124.9208X	2	M8	13,5	18,5	19	32	6,5	17,5	42,5	45,5	65	74,5	10	20	15/20/25/30/40/50/60
K0124.9210X	2	M10	13,5	18,5	19	32	6,5	17,5	42,5	45,5	65	74,5	10	20	20/25/30/40/50/60
K0124.9308X	3	M8	16	21	22	41,5	10	24	54,5	58,5	80	91	11	22	20/25/30/40/50/60
K0124.9310X	3	M10	16	21	22	41,5	10	24	54,5	58,5	80	91	11	22	20/25/30/40/50/60

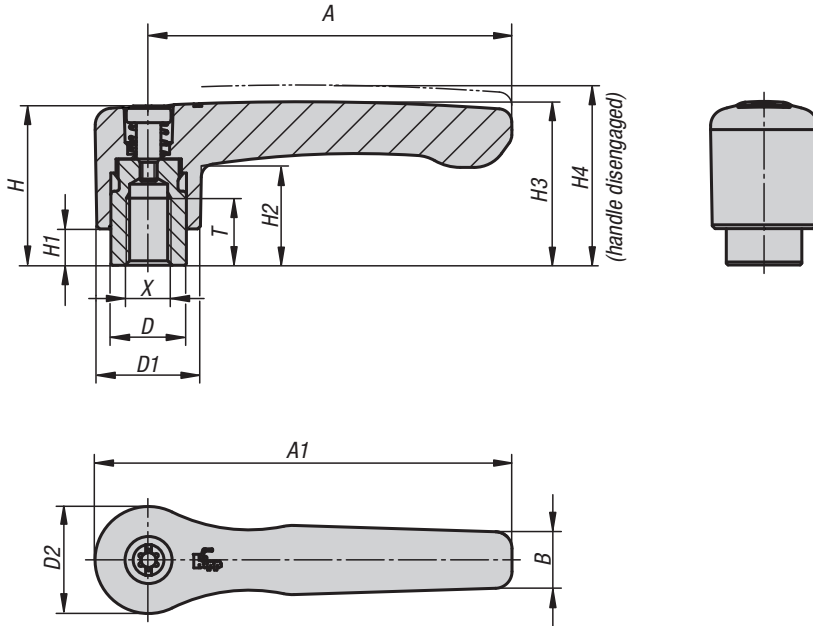
Adjustable Handles straight

inserts and internal components steel, internal thread



INCH Parts METRIC Parts

New Item



Material:
Handle die-cast zinc DIN 12844.
Steel parts quality class 5.8.

Type:
Handle powder-coated.
Steel parts black oxide finish.

Part Number Example:
K0737.2061

Note:
Standard colors are:
black satin finish, orange RAL 2004.

On request:
Other internal threads, colors and special versions.
Dimension "H1" available in other lengths at an additional charge.



KIPP Adjustable Handles straight, internal thread, inch

Item No. black satin finish	Item No. orange	Size	X	T	D	D2	D2	H	H1	H2	H3	H4	A	A1	B	No. of teeth
K0737.2A21	K0737.2A22	2	1/4-20	12	13.5	18.5	19.1	28.5	6.5	17.8	29.2	32.2	65	74.5	10.1	20
K0737.2A31	K0737.2A32	2	5/16-18	12	13.5	18.5	19.1	28.5	6.5	17.8	29.2	32.2	65	74.5	10.1	20
K0737.3A31	K0737.3A32	3	5/16-18	14	16	21.2	22	37	10	23.8	38	42	80	91	11.7	22
K0737.3A41	K0737.3A42	3	3/8-16	14	16	21.2	22	37	10	23.8	38	42	80	91	11.7	22

KIPP Adjustable Handles straight, internal thread, metric

Item No. black satin finish	Item No. orange	Size	X	T	D	D2	D2	H	H1	H2	H3	H4	A	A1	B	No. of teeth
K0737.2061	K0737.2062	2	M6	12	13,5	18,5	19,1	28,5	6,5	17,8	29,2	32,2	65	74,5	10,1	20
K0737.2081	K0737.2082	2	M8	12	13,5	18,5	19,1	28,5	6,5	17,8	29,2	32,2	65	74,5	10,1	20
K0737.3081	K0737.3082	3	M8	14	16	21,2	22	37	10	23,8	38	42	80	91	11,7	22
K0737.3101	K0737.3102	3	M10	14	16	21,2	22	37	10	23,8	38	42	80	91	11,7	22

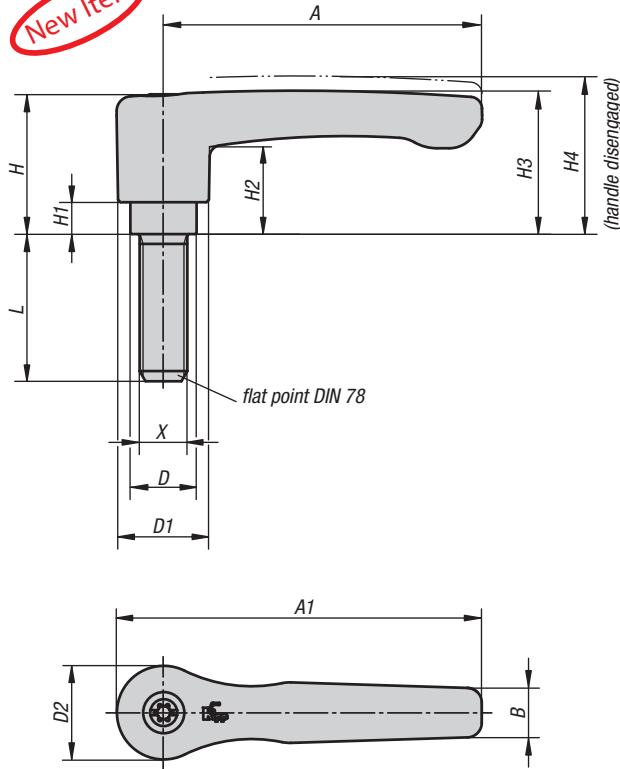
Adjustable Handles straight

bolts and internal components in steel, external thread



INCH Parts METRIC Parts

New Item



Material:
Handle die-cast zinc DIN 12844.
Steel parts quality class 5.8.

Type:
Handle powder-coated.
Steel parts black oxide finish.

Part Number Example:
K0737.2061X15 (include length L)

Note:
Standard colors are:
black satin finish, orange RAL 2004.

On request:
Other external threads, screw lengths, colors
and special versions.
Dimension "H1" available in other lengths at
an additional charge.

KIPP Measurements, external thread

Size	X	D	D1	D2	H	H1	H2	H3	H4	A	A1	B	No. of teeth
2	1/4-20 ; 5/16-18 ; 3/8-16	13.5	18.5	19.1	28.5	6.5	17.8	29.2	32.2	65	74.5	10.1	20
3	5/16-18 ; 3/8-16	16	21.2	22	37	10	23.8	38	42	80	91	11.7	22
2	M6 ; M8 ; M10	13,5	18,5	19,1	28,5	6,5	17,8	29,2	32,2	65	74,5	10,1	20
3	M8 ; M10	16	21,2	22	37	10	23,8	38	42	80	91	11,7	22

KIPP Adjustable Handles straight, external thread, inch

Item No. black satin finish	Item No. orange	Size	X	L
K0737.2A21X	K0737.2A22X	2	1/4-20	15/20/25/30/35/40/45/50/55/60
K0737.2A31X	K0737.2A32X	2	5/16-18	15/20/25/30/35/40/45/50/55/60
K0737.2A41X	K0737.2A42X	2	3/8-16	15/20/25/30/35/40/45/50/55/60
K0737.3A31X	K0737.3A32X	3	5/16-18	15/20/25/30/35/40/45/50/55/60
K0737.3A41X	K0737.3A42X	3	3/8-16	15/20/25/30/35/40/45/50/55/60

KIPP Adjustable Handles straight, external thread, metric

Item No. black satin finish	Item No. orange	Size	X	L
K0737.2061X	K0737.2062X	2	M6	15/20/25/30/35/40/45/50/55/60
K0737.2081X	K0737.2082X	2	M8	15/20/25/30/35/40/45/50/55/60
K0737.2101X	K0737.2102X	2	M10	15/20/25/30/35/40/45/50/55/60
K0737.3081X	K0737.3082X	3	M8	15/20/25/30/35/40/45/50/55/60
K0737.3101X	K0737.3102X	3	M10	15/20/25/30/35/40/45/50/55/60

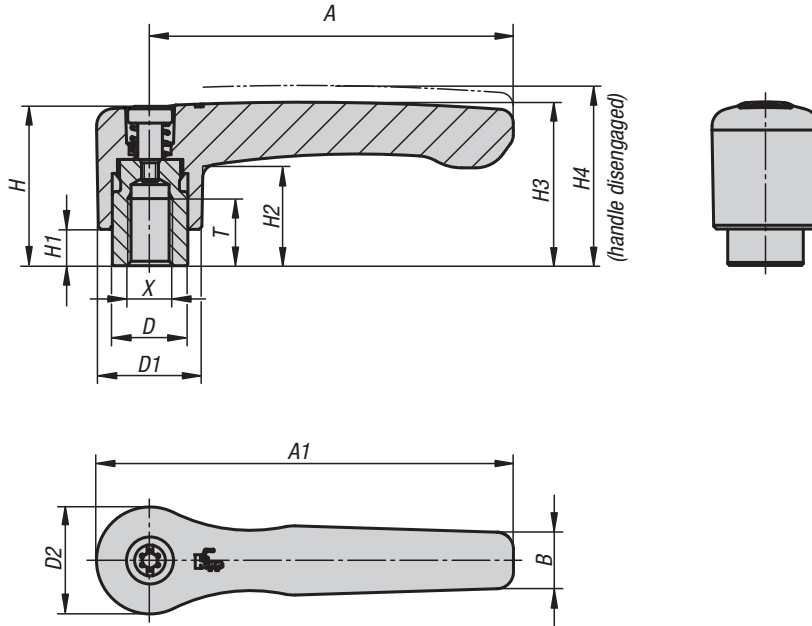
Adjustable Handles straight

inserts and internal components stainless steel, internal thread



INCH Parts METRIC Parts

New Item



Material:

Handle die-cast zinc DIN 12844.
Steel parts stainless steel 1.4305.

Type:

Handle powder-coated,
steel parts natural finish.

Part Number Example:

K0738.2061

Note:

Standard colors are:
black satin finish, orange RAL 2004.

On request:

Other internal threads, colors and special versions.
Dimension "H1" available in other lengths at an additional charge.



KIPP Adjustable Handles straight, internal thread, stainless steel, inch

Item No. black satin finish	Item No. orange	Size	X	T	D	D1	D2	H	H1	H2	H3	H4	A	A1	B	No. of teeth
K0738.2A21	K0738.2A22	2	1/4-20	12	13.5	18.5	19.1	28.5	6.5	17.8	29.2	32.2	65	74.5	10.1	20
K0738.2A31	K0738.2A32	2	5/16-18	12	13.5	18.5	19.1	28.5	6.5	17.8	29.2	32.2	65	74.5	10.1	20
K0738.3A31	K0738.3A32	3	5/16-18	14	16	21.2	22	37	10	23.8	38	42	80	91	11.7	22
K0738.3A41	K0738.3A42	3	3/8-16	14	16	21.2	22	37	10	23.8	38	42	80	91	11.7	22

KIPP Adjustable Handles straight, internal thread, stainless steel, metric

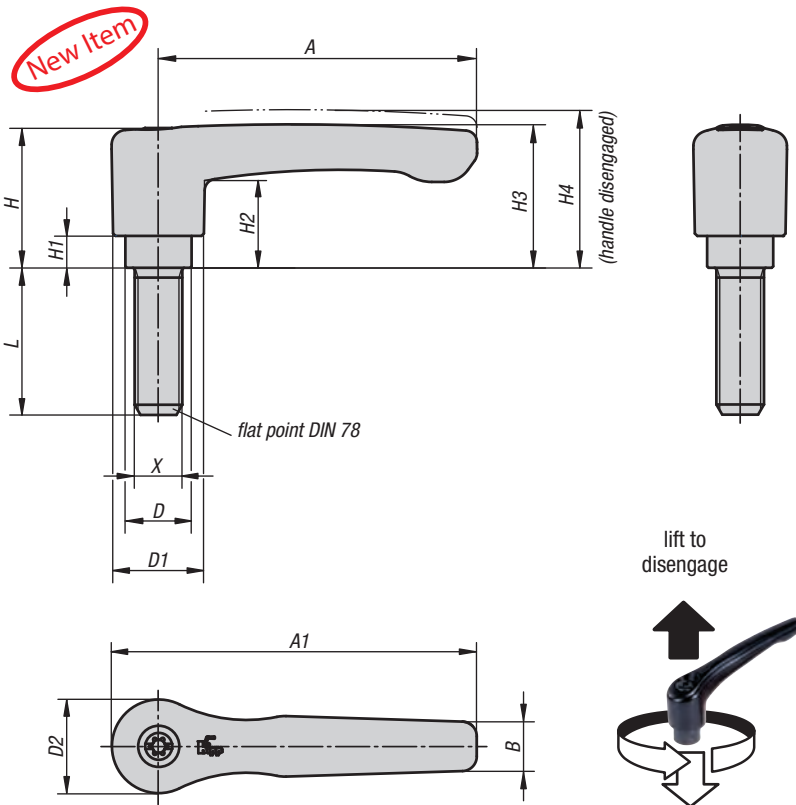
Item No. black satin finish	Item No. orange	Size	X	T	D	D1	D2	H	H1	H2	H3	H4	A	A1	B	No. of teeth
K0738.2061	K0738.2062	2	M6	12	13,5	18,5	19,1	28,5	6,5	17,8	29,2	32,2	65	74,5	10,1	20
K0738.2081	K0738.2082	2	M8	12	13,5	18,5	19,1	28,5	6,5	17,8	29,2	32,2	65	74,5	10,1	20
K0738.3081	K0738.3082	3	M8	14	16	21,2	22	37	10	23,8	38	42	80	91	11,7	22
K0738.3101	K0738.3102	3	M10	14	16	21,2	22	37	10	23,8	38	42	80	91	11,7	22

Adjustable Handles straight

bolts and internal components stainless steel, external thread



INCH Parts METRIC Parts



Material:
Handle die-cast zinc DIN 12844.
Steel parts stainless steel 1.4305.

Type:
Handle powder-coated,
steel parts natural finish.

Part Number Example:
K0738.2061X15 (include length L)

Note:
Standard colors are:
black satin finish, orange RAL 2004.

On request:
Other external threads, screw lengths, colors
and special versions.
Dimension "H1" available in other lengths at
an additional charge.

KIPP Measurements, external thread

Size	X	D	D1	D2	H	H1	H2	H3	H4	A	A1	B	No. of teeth
2	1/4-20 ; 5/16-18 ; 3/8-16	13.5	18.5	19.1	28.5	6.5	17.8	29.2	32.2	65	74.5	10.1	20
3	5/16-18 ; 3/8-16	16	21.2	22	37	10	23.8	38	42	80	91	11.7	22
2	M6 ; M8 ; M10	13,5	18,5	19,1	28,5	6,5	17,8	29,2	32,2	65	74,5	10,1	20
3	M8 ; M10	16	21,2	22	37	10	23,8	38	42	80	91	11,7	22

KIPP Adjustable Handles straight, external thread, stainless steel, inch

Item No. black satin finish	Item No. orange	Size	X	L
K0738.2A21X	K0738.2A22X	2	1/4-20	15/20/25/30/40/50/60
K0738.2A31X	K0738.2A32X	2	5/16-18	15/20/25/30/40/50/60
K0738.2A41X	K0738.2A42X	2	3/8-16	20/25/30/40/50/60
K0738.3A31X	K0738.3A32X	3	5/16-18	20/25/30/40/50/60
K0738.3A41X	K0738.3A42X	3	3/8-16	20/25/30/40/50/60

KIPP Adjustable Handles straight, external thread, stainless steel, metric

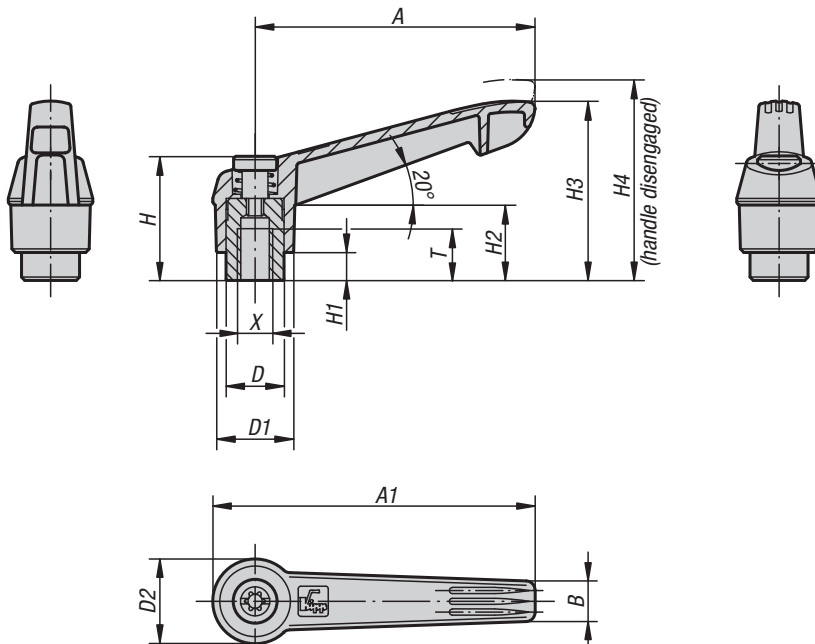
Item No. black satin finish	Item No. orange	Size	X	L
K0738.2061X	K0738.2062X	2	M6	15/20/25/30/40/50/60
K0738.2081X	K0738.2082X	2	M8	15/20/25/30/40/50/60
K0738.2101X	K0738.2102X	2	M10	20/25/30/40/50/60
K0738.3081X	K0738.3082X	3	M8	20/25/30/40/50/60
K0738.3101X	K0738.3102X	3	M10	20/25/30/40/50/60

Adjustable Handles

Modern Design Style, plastic, inserts and internal components steel, internal thread



INCH Parts
METRIC Parts



For many people the Novo-Grip Adjustable Handle represents the key to secure and comfortable gripping. This handle provides a future-oriented and powerful solution for almost any operating and clamping problem.

Material:

Handle glass-fibre reinforced plastic with with toothed wheel in die cast zinc.
Steel parts quality class 5.8.

Type:

Steel parts black oxide finish.

Part Number Example:

K0269.1AE86 (handle color signal green)

Note:







Δ Add the desired handle color here

On request:

Other internal threads and special versions.
Dimension "H1" can be produced in other lengths at an additional charge.

lift to disengage



black gray Δ = 1  RAL 7021	orange Δ = 2  RAL 2004	signal green Δ = 86  RAL 6032	traffic red Δ = 84  RAL 3020	bright yellow Δ = 16  RAL 1021	traffic blue Δ = 87  RAL 5017
---	---	--	---	---	--

Adjustable Handles

Modern Design Style, plastic, inserts and internal components steel, internal thread



KIPP Adjustable Handles, Modern Design Style, with internal thread, components in steel, inch

Item No.	Size	X	T	D	D1	D2	H	H1	H2	H3	H4	A	A1	B	No. of teeth
K0269.1AEΔ	1	8-32	9	10	13	14.5	24.5	4	15	30	33.5	40	47	7.5	16
K0269.1A0Δ	1	10-24	9	10	13	14.5	24.5	4	15	30	33.5	40	47	7.5	16
K0269.1A1Δ	1	10-32	9	10	13	14.5	24.5	4	15	30	33.5	40	47	7.5	16
K0269.1A2Δ	1	1/4-20	9	10	13	14.5	24.5	4	15	30	33.5	40	47	7.5	16
K0269.2A2Δ	2	1/4-20	12	13.5	18	19.5	28.5	6.5	17.5	41.5	45.5	65	75	9.5	20
K0269.2A3Δ	2	5/16-18	12	13.5	18	19.5	28.5	6.5	17.5	41.5	45.5	65	75	9.5	20
K0269.3A3Δ	3	5/16-18	14	16	21.5	23	37	10	24	53.5	58	80	91.5	11	22
K0269.3A4Δ	3	3/8-16	14	16	21.5	23	37	10	24	53.5	58	80	91.5	11	22
K0269.4A4Δ	4	3/8-16	17	19	25.5	27.5	43	10	26	61	66	95	109	13	24
K0269.4A5Δ	4	1/2-13	17	19	25.5	27.5	43	10	26	61	66	95	109	13	24
K0269.5A5Δ	5	1/2-13	23	23	30	32.5	49	12	33	72	77	110	126	15.5	26
K0269.5A6Δ	5	5/8-11	23	23	30	32.5	49	12	33	72	77	110	126	15.5	26

KIPP Adjustable Handles, Modern Design Style with internal thread, components in steel, metric

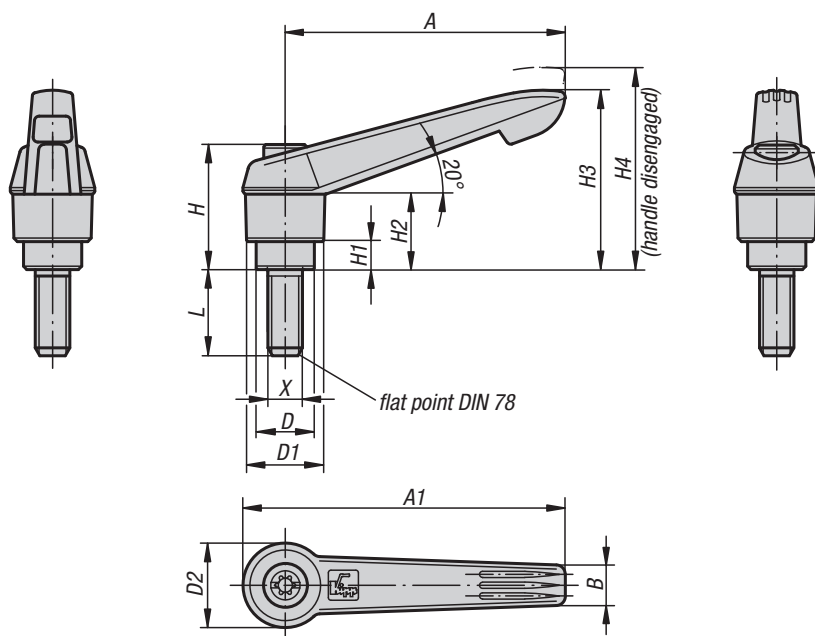
Item No.	Size	X	T	D	D1	D2	H	H1	H2	H3	H4	A	A1	B	No. of teeth
K0269.104Δ	1	M4	9	10	13	14,5	24,5	4	15	30	33,5	40	47	7,5	16
K0269.105Δ	1	M5	9	10	13	14,5	24,5	4	15	30	33,5	40	47	7,5	16
K0269.106Δ	1	M6	9	10	13	14,5	24,5	4	15	30	33,5	40	47	7,5	16
K0269.206Δ	2	M6	12	13,5	18	19,5	28,5	6,5	17,5	41,5	45,5	65	75	9,5	20
K0269.208Δ	2	M8	12	13,5	18	19,5	28,5	6,5	17,5	41,5	45,5	65	75	9,5	20
K0269.308Δ	3	M8	14	16	21,5	23	37	10	24	53,5	58	80	91,5	11	22
K0269.310Δ	3	M10	14	16	21,5	23	37	10	24	53,5	58	80	91,5	11	22
K0269.410Δ	4	M10	17	19	25,5	27,5	43	10	26	61	66	95	109	13	24
K0269.412Δ	4	M12	17	19	25,5	27,5	43	10	26	61	66	95	109	13	24
K0269.512Δ	5	M12	23	23	30	32,5	49	12	33	72	77	110	126	15,5	26
K0269.516Δ	5	M16	23	23	30	32,5	49	12	33	72	77	110	126	15,5	26

Adjustable Handles

Modern Design Style, plastic, bolts and internal components in steel, external thread



INCH Parts METRIC Parts



For many people the Novo-Grip Adjustable Handle represents the key to secure and comfortable gripping. This handle provides a future-oriented and powerful solution for almost any operating and clamping problem.

Material:
Handle glass-fibre reinforced plastic with with toothed wheel in die cast zinc.
Steel parts quality class 5.8.







Type:
Steel parts black oxide finish.

Part Number Example:
K0269.1A01X10
(handle black gray;
include length L)

Note:
Δ Add the desired handle color here

On request:
Other external threads, screw lengths and special versions.
Dimension "H1" can be produced in other lengths at an additional charge.



black gray Δ = 1  RAL 7021	orange Δ = 2  RAL 2004	signal green Δ = 86  RAL 6032	traffic red Δ = 84  RAL 3020	bright yellow Δ = 16  RAL 1021	traffic blue Δ = 87  RAL 5017
---	---	--	---	---	--

Adjustable Handles

Modern Design Style, plastic, bolts and internal components in steel, external thread



KIPP Adjustable Handles, Modern Design Style, with external thread, components in steel, inch

Item No.	Size	X	D	D1	D2	H	H1	H2	H3	H4	A	A1	B	No. of teeth	L
K0269.1A0ΔX	1	10-24	10	13	14.5	24.5	4	15	30	33.5	40	47	7.5	16	10/15/20/25/30/35/40/45/50
K0269.1A1ΔX	1	10-32	10	13	14.5	24.5	4	15	30	33.5	40	47	7.5	16	10/15/20/25/30/35/40/45/50
K0269.1A2ΔX	1	1/4-20	10	13	14.5	24.5	4	15	30	33.5	40	47	7.5	16	10/15/20/25/30/35/40/45/50
K0269.2A2ΔX	2	1/4-20	13.5	18	19.5	28.5	6.5	17.5	41.5	45.5	65	75	9.5	20	15/20/25/30/35/40/45/50/55/60
K0269.2A3ΔX	2	5/16-18	13.5	18	19.5	28.5	6.5	17.5	41.5	45.5	65	75	9.5	20	15/20/25/30/35/40/45/50/55/60
K0269.2A4ΔX	2	3/8-16	13.5	18	19.5	28.5	6.5	17.5	41.5	45.5	65	75	9.5	20	15/20/25/30/35/40/45/50/55/60
K0269.3A3ΔX	3	5/16-18	16	21.5	23	37	10	24	53.5	58	80	91.5	11	22	15/20/25/30/35/40/45/50/55/60
K0269.3A4ΔX	3	3/8-16	16	21.5	23	37	10	24	53.5	58	80	91.5	11	22	15/20/25/30/35/40/45/50/55/60
K0269.4A4ΔX	4	3/8-16	19	25.5	27.5	43	10	26	61	66	95	109	13	24	20/25/30/35/40/45/50/55/60/70/80/90
K0269.4A5ΔX	4	1/2-13	19	25.5	27.5	43	10	26	61	66	95	109	13	24	20/25/30/35/40/45/50/55/60/70/80/90
K0269.5A5ΔX	5	1/2-13	23	30	32.5	49	12	33	72	77	110	126	15.5	26	25/30/35/40/45/50/55/60/70/80/90
K0269.5A6ΔX	5	5/8-11	23	30	32.5	49	12	33	72	77	110	126	15.5	26	25/30/35/40/45/50/55/60/70/80/90

KIPP Adjustable Handles, Modern Design Style, with external thread, components in steel, metric

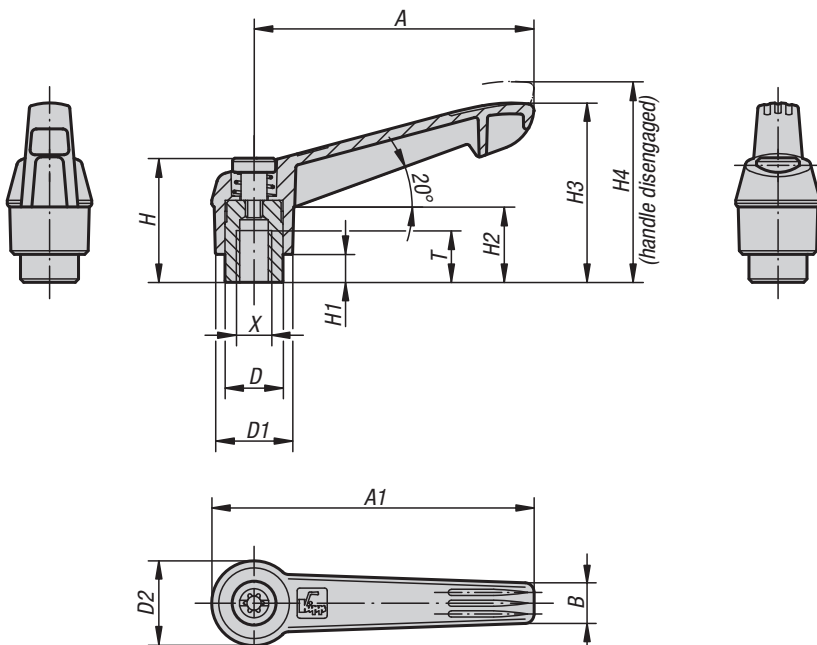
Item No.	Size	X	D	D1	D2	H	H1	H2	H3	H4	A	A1	B	No. of teeth	L
K0269.105ΔX	1	M5	10	13	14,5	24,5	4	15	30	33,5	40	47	7,5	16	10/15/20/25/30/35/40/45/50
K0269.106ΔX	1	M6	10	13	14,5	24,5	4	15	30	33,5	40	47	7,5	16	10/15/20/25/30/35/40/45/50
K0269.206ΔX	2	M6	13,5	18	19,5	28,5	6,5	17,5	41,5	45,5	65	75	9,5	20	15/20/25/30/35/40/45/50/55/60
K0269.208ΔX	2	M8	13,5	18	19,5	28,5	6,5	17,5	41,5	45,5	65	75	9,5	20	15/20/25/30/35/40/45/50/55/60
K0269.210ΔX	2	M10	13,5	18	19,5	28,5	6,5	17,5	41,5	45,5	65	75	9,5	20	15/20/25/30/35/40/45/50/55/60
K0269.308ΔX	3	M8	16	21,5	23	37	10	24	53,5	58	80	91,5	11	22	15/20/25/30/35/40/45/50/55/60
K0269.310ΔX	3	M10	16	21,5	23	37	10	24	53,5	58	80	91,5	11	22	15/20/25/30/35/40/45/50/55/60
K0269.410ΔX	4	M10	19	25,5	27,5	43	10	26	61	66	95	109	13	24	20/25/30/35/40/45/50/55/60/70/80/90
K0269.412ΔX	4	M12	19	25,5	27,5	43	10	26	61	66	95	109	13	24	20/25/30/35/40/45/50/55/60/70/80/90
K0269.512ΔX	5	M12	23	30	32,5	49	12	33	72	77	110	126	15,5	26	25/30/35/40/45/50/55/60/70/80/90
K0269.516ΔX	5	M16	23	30	32,5	49	12	33	72	77	110	126	15,5	26	25/30/35/40/45/50/55/60/70/80/90

Adjustable Handles

Modern Design Style, plastic, inserts and internal components in stainless steel, internal thread



INCH Parts METRIC Parts



For many people the Novo-Grip Adjustable Handle represents the key to secure and comfortable gripping. This handle provides a future-oriented and powerful solution for almost any operating and clamping problem.

Material:
 Handle in glass-fibre reinforced plastic with toothed wheel in die cast zinc;
 steel parts in stainless steel 1.4305

Type:
 Steel parts natural finish.





Part Number Example:
 K0270.1A086 (handle color signal green)

Note:
 Δ Add the desired handle color here

On request:
 Other internal threads and special versions.
 Dimension "H1" can be produced in other lengths at an additional charge.

lift to disengage



black gray Δ = 1  RAL 7021	orange Δ = 2  RAL 2004	signal green Δ = 86  RAL 6032	traffic red Δ = 84  RAL 3020	bright yellow Δ = 16  RAL 1021	traffic blue Δ = 87  RAL 5017
---	---	--	---	---	--

Adjustable Handles

Modern Design Style, plastic, inserts and internal components in stainless steel, internal thread

KIPP Adjustable Handles, Modern Design Style, internal thread, components in stainless steel, inch

Item No.	Size	X	T	D	D1	D2	H	H1	H2	H3	H4	A	A1	B	No. of teeth
K0270.1A0Δ	1	10-24	9	10	13	14.5	24.5	4	15	30	33.5	40	47	7.5	16
K0270.1A1Δ	1	10-32	9	10	13	14.5	24.5	4	15	30	33.5	40	47	7.5	16
K0270.1A2Δ	1	1/4-20	9	10	13	14.5	24.5	4	15	30	33.5	40	47	7.5	16
K0270.2A2Δ	2	1/4-20	12	13.5	18	19.5	28.5	6.5	17.5	41.5	45.5	65	75	9.5	20
K0270.2A3Δ	2	5/16-18	12	13.5	18	19.5	28.5	6.5	17.5	41.5	45.5	65	75	9.5	20
K0270.3A3Δ	3	5/16-18	14	16	21.5	23	37	10	24	53.5	58	80	91.5	11	22
K0270.3A4Δ	3	3/8-16	14	16	21.5	23	37	10	24	53.5	58	80	91.5	11	22
K0270.4A4Δ	4	3/8-16	17	19	25.5	27.5	43	10	26	61	66	95	109	13	24
K0270.4A5Δ	4	1/2-13	17	19	25.5	27.5	43	10	26	61	66	95	109	13	24
K0270.5A5Δ	5	1/2-13	23	23	30	32.5	49	12	33	72	77	110	126	15.5	26
K0270.5A6Δ	5	5/8-11	23	23	30	32.5	49	12	33	72	77	110	126	15.5	26

KIPP Adjustable Handles, Modern Design Style, internal thread, components in stainless steel, metric

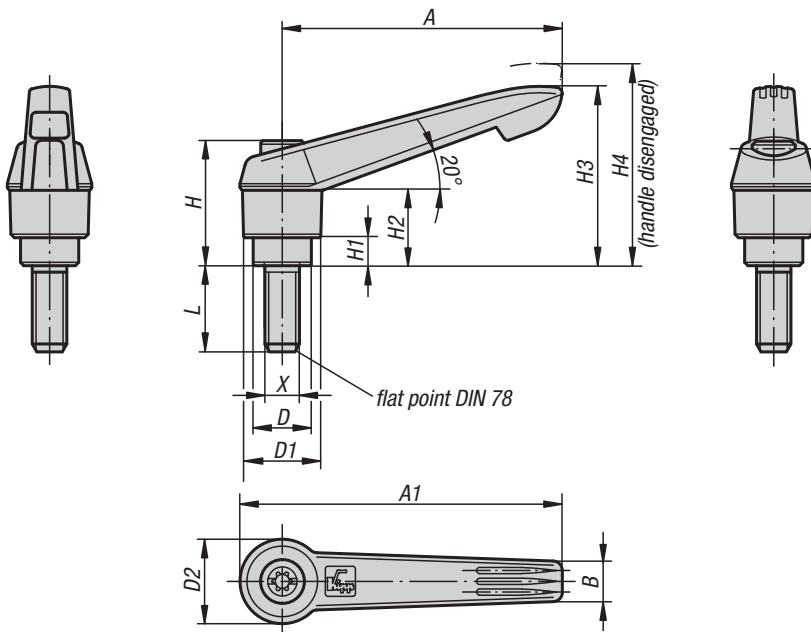
Item No.	Size	X	T	D	D1	D2	H	H1	H2	H3	H4	A	A1	B	No. of teeth
K0270.104Δ	1	M4	9	10	13	14,5	24,5	4	15	30	33,5	40	47	7,5	16
K0270.105Δ	1	M5	9	10	13	14,5	24,5	4	15	30	33,5	40	47	7,5	16
K0270.106Δ	1	M6	9	10	13	14,5	24,5	4	15	30	33,5	40	47	7,5	16
K0270.206Δ	2	M6	12	13,5	18	19,5	28,5	6,5	17,5	41,5	45,5	65	75	9,5	20
K0270.208Δ	2	M8	12	13,5	18	19,5	28,5	6,5	17,5	41,5	45,5	65	75	9,5	20
K0270.308Δ	3	M8	14	16	21,5	23	37	10	24	53,5	58	80	91,5	11	22
K0270.310Δ	3	M10	14	16	21,5	23	37	10	24	53,5	58	80	91,5	11	22
K0270.410Δ	4	M10	17	19	25,5	27,5	43	10	26	61	66	95	109	13	24
K0270.412Δ	4	M12	17	19	25,5	27,5	43	10	26	61	66	95	109	13	24
K0270.512Δ	5	M12	23	23	30	32,5	49	12	33	72	77	110	126	15,5	26
K0270.516Δ	5	M16	23	23	30	32,5	49	12	33	72	77	110	126	15,5	26

Adjustable Handles

Modern Design Style, plastic, bolts and internal components in stainless steel, external thread



INCH Parts METRIC Parts



For many people the Novo-Grip Adjustable Handle represents the key to secure and comfortable gripping. This handle provides a future-oriented and powerful solution for almost any operating and clamping problem.

Material:

Handle in glass-fibre reinforced plastic with toothed wheel in die cast zinc; steel parts in stainless steel 1.4305

Type:

Steel parts natural finish.

Part Number Example:

K0270.1A01X15
(handle black gray;
include length L)

Note:

Δ Add the desired handle color here







On request:

Other external threads, screw lengths and special versions.

Dimension "H1" can be produced in other lengths at an additional charge.

lift to disengage



black gray Δ = 1  RAL 7021	orange Δ = 2  RAL 2004	signal green Δ = 86  RAL 6032	traffic red Δ = 84  RAL 3020	bright yellow Δ = 16  RAL 1021	traffic blue Δ = 87  RAL 5017
---	---	--	---	---	--

Adjustable Handles

Modern Design Style, plastic, bolts and internal components in stainless steel, external thread



KIPP Adjustable Handles, Modern Design Style, external thread, components in stainless steel, inch

Item No.	Size	X	D	D1	D2	H	H1	H2	H3	H4	A	A1	B	No. of teeth	L
K0270.1A0ΔX	1	10-24	10	13	14.5	24.5	4	15	30	33.5	40	47	7.5	16	15/20/25
K0270.1A1ΔX	1	10-32	10	13	14.5	24.5	4	15	30	33.5	40	47	7.5	16	15/20/25
K0270.1A2ΔX	1	1/4-20	10	13	14.5	24.5	4	15	30	33.5	40	47	7.5	16	10/15/20/25/30/40/50
K0270.2A2ΔX	2	1/4-20	13.5	18	19.5	28.5	6.5	17.5	41.5	45.5	65	75	9.5	20	15/20/25/30/40/50/60
K0270.2A3ΔX	2	5/16-18	13.5	18	19.5	28.5	6.5	17.5	41.5	45.5	65	75	9.5	20	15/20/25/30/40/50/60
K0270.2A4ΔX	2	3/8-16	13.5	18	19.5	28.5	6.5	17.5	41.5	45.5	65	75	9.5	20	20/25/30/40/50/60
K0270.3A3ΔX	3	5/16-18	16	21.5	23	37	10	24	53.5	58	80	91.5	11	22	20/25/30/40/50/60
K0270.3A4ΔX	3	3/8-16	16	21.5	23	37	10	24	53.5	58	80	91.5	11	22	20/25/30/40/50/60
K0270.4A5ΔX	4	1/2-13	19	25.5	27.5	43	10	26	61	66	95	109	13	24	25/30/40/50/60
K0270.5A6ΔX	5	5/8-11	23	30	32.5	49	12	33	72	77	110	126	15.5	26	30/40/50/60

KIPP Adjustable Handles, Modern Design Style “Novo-Grip”, external thread, components in stainless steel, metric

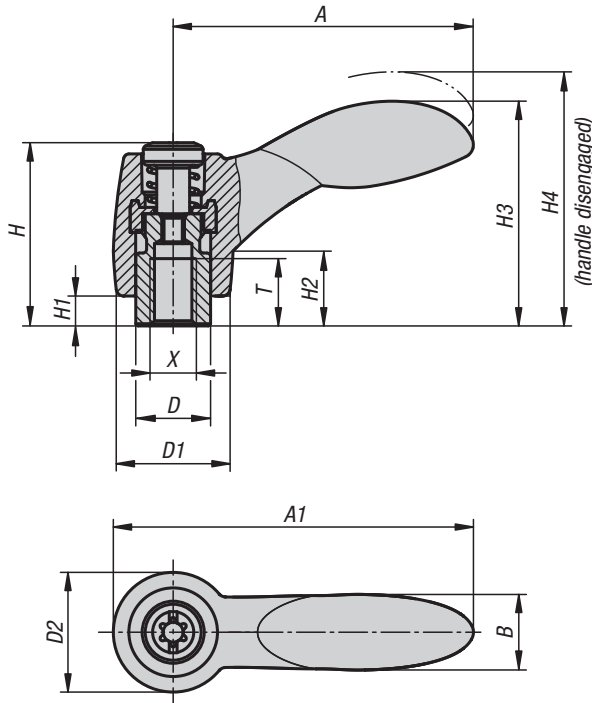
Item No.	Size	X	D	D1	D2	H	H1	H2	H3	H4	A	A1	B	No. of teeth	L
K0270.105ΔX	1	M5	10	13	14,5	24,5	4	15	30	33,5	40	47	7,5	16	10/15/20/25
K0270.106ΔX	1	M6	10	13	14,5	24,5	4	15	30	33,5	40	47	7,5	16	10/15/20/25/30/40/50
K0270.206ΔX	2	M6	13,5	18	19,5	28,5	6,5	17,5	41,5	45,5	65	75	9,5	20	15/20/25/30/40/50/60
K0270.208ΔX	2	M8	13,5	18	19,5	28,5	6,5	17,5	41,5	45,5	65	75	9,5	20	15/20/25/30/40/50/60
K0270.210ΔX	2	M10	13,5	18	19,5	28,5	6,5	17,5	41,5	45,5	65	75	9,5	20	20/25/30/40/50/60
K0270.308ΔX	3	M8	16	21,5	23	37	10	24	53,5	58	80	91,5	11	22	20/25/30/40/50/60
K0270.310ΔX	3	M10	16	21,5	23	37	10	24	53,5	58	80	91,5	11	22	20/25/30/40/50/60
K0270.412ΔX	4	M12	19	25,5	27,5	43	10	26	61	66	95	109	13	24	25/30/40/50/60
K0270.516ΔX	5	M16	23	30	32,5	49	12	33	72	77	110	126	15,5	26	30/40/50/60

Adjustable Handles 2K "Cockatoo"

two-component with internal thread



INCH Parts
METRIC Parts



Material:

Handle:
Hard component in glass-fibre-reinforced plastic with die cast zinc toothed ring.
Soft component: Thermoflex based on SEBS.
Steel parts:
Quality class 5.8.

Type:

Steel parts black oxide finish.

Part Number Example:

K0125.1AE01

Note:

The hard and soft components are supplied in black gray RAL 7021 as standard.

On request:

Other internal threads, color combinations and special versions.
Dimension "H1" can be produced in other lengths at an additional charge.

KIPP Adjustable Handles 2K with internal thread, inch

Item No.	Size	X	T	D	D1	D2	H	H1	H2	H3	H4	A	A1	B	No. of teeth
K0125.1AE01	1	8-32	9	10	15	16	24.5	4	10	30	33.5	40.1	48.1	10.1	16
K0125.1A001	1	10-24	9	10	15	16	24.5	4	10	30	33.5	40.1	48.1	10.1	16
K0125.1A101	1	10-32	9	10	15	16	24.5	4	10	30	33.5	40.1	48.1	10.1	16
K0125.1A201	1	1/4-20	9	10	15	16	24.5	4	10	30	33.5	40.1	48.1	10.1	16
K0125.2A201	2	1/4-20	12	13.5	17.5	19	28.5	6.5	12.5	41.2	45.2	64.9	74.4	17.6	20
K0125.2A301	2	5/16-18	12	13.5	17.5	19	28.5	6.5	12.5	41.2	45.2	64.9	74.4	17.6	20
K0125.3A301	3	5/16-18	14	16	21	22	37	10	17	51.6	56.1	80.2	91.2	20.7	22
K0125.3A401	3	3/8-16	14	16	21	22	37	10	17	51.6	56.1	80.2	91.2	20.7	22

KIPP Adjustable Handles 2K with internal thread, metric

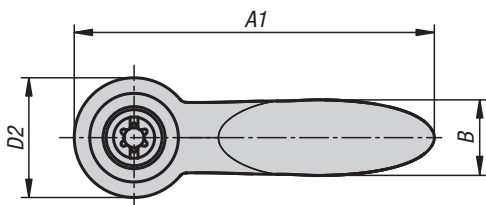
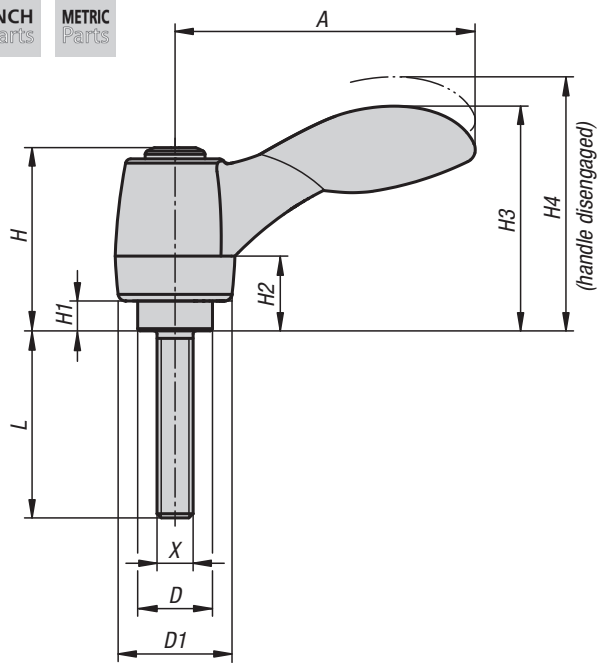
Item No.	Size	X	T	D	D1	D2	H	H1	H2	H3	H4	A	A1	B	No. of teeth
K0125.10401	1	M4	9	10	15	16	24,5	4	10	30	33,5	40,1	48,1	10,1	16
K0125.10501	1	M5	9	10	15	16	24,5	4	10	30	33,5	40,1	48,1	10,1	16
K0125.10601	1	M6	9	10	15	16	24,5	4	10	30	33,5	40,1	48,1	10,1	16
K0125.20601	2	M6	12	13,5	17,5	19	28,5	6,5	12,5	41,2	45,2	64,9	74,4	17,6	20
K0125.20801	2	M8	12	13,5	17,5	19	28,5	6,5	12,5	41,2	45,2	64,9	74,4	17,6	20
K0125.30801	3	M8	14	16	21	22	37	10	17	51,6	56,1	80,2	91,2	20,7	22
K0125.31001	3	M10	14	16	21	22	37	10	17	51,6	56,1	80,2	91,2	20,7	22

Adjustable Handles 2K "Cockatoo"

two-component with external thread



INCH Parts
METRIC Parts



lift to disengage



Material:

Handle:
Hard component in glass-fibre-reinforced plastic with die cast zinc toothed ring.
Soft component: Thermoflex based on SEBS.
Steel parts:
Quality class 5.8.

Type:

Steel parts black oxide finish.

Part Number Example:

K0125.1A001X10
(include length L)

Note:

The hard and soft components are supplied in black gray RAL 7021 as standard.

On request:

Other external threads, screw lengths, color combinations and special versions.
Dimension "H1" can be produced in other lengths at an additional charge.

KIPP Adjustable Handles 2K with external thread, inch

Item No.	Size	X	D	D1	D2	H	H1	H2	H3	H4	A	A1	B	No. of teeth	L
K0125.1A001X	1	10-24	10	15	16	24.5	4	10	30	33.5	40.1	48.1	10.1	16	10/15/20/25/30/35/40/45/50
K0125.1A101X	1	10-32	10	15	16	24.5	4	10	30	33.5	40.1	48.1	10.1	16	10/20/40/35/15/25/50/45/30
K0125.1A201X	1	1/4-20	10	15	16	24.5	4	10	30	33.5	40.1	48.1	10.1	16	10/15/20/25/30/35/40/45/50
K0125.2A201X	2	1/4-20	13.5	17.5	19	28.5	6.5	12.5	41.2	45.2	64.9	74.4	17.6	20	15/20/25/30/35/40/45/50/55/60
K0125.2A301X	2	5/16-18	13.5	17.5	19	28.5	6.5	12.5	41.2	45.2	64.9	74.4	17.6	20	15/20/25/30/35/40/45/50/55/60
K0125.2A401X	2	3/8-16	13.5	17.5	19	28.5	6.5	12.5	41.2	45.2	64.9	74.4	17.6	20	15/20/25/30/35/40/45/50/55/60
K0125.3A301X	3	5/16-18	16	21	22	37	10	17	51.6	56.1	80.2	91.2	20.7	22	15/20/25/30/35/40/45/50/55/60
K0125.3A401X	3	3/8-16	16	21	22	37	10	17	51.6	56.1	80.2	91.2	20.7	22	15/20/25/30/35/40/45/50/55/60

KIPP Adjustable Handles 2K with external thread, metric

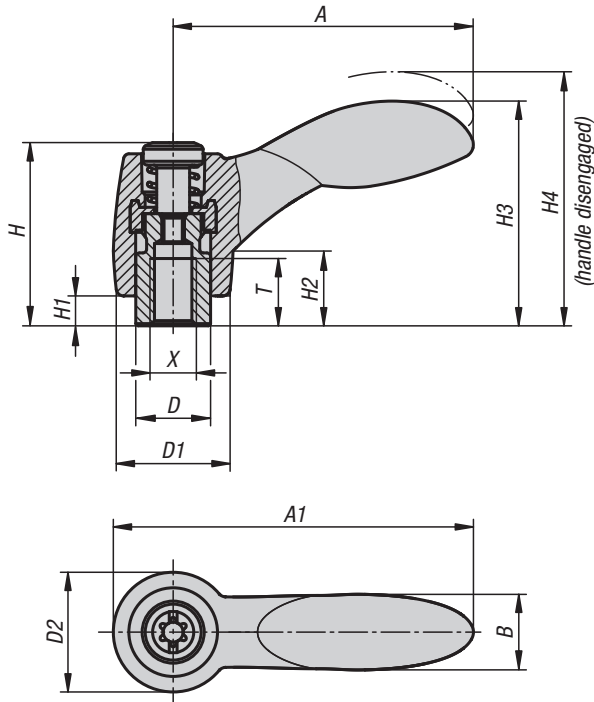
Item No.	Size	X	D	D1	D2	H	H1	H2	H3	H4	A	A1	B	No. of teeth	L
K0125.10501X	1	M5	10	15	16	24,5	4	10	30	33,5	40,1	48,1	10,1	16	10/15/20/25/30/35/40/45/50
K0125.10601X	1	M6	10	15	16	24,5	4	10	30	33,5	40,1	48,1	10,1	16	10/15/20/25/30/35/40/45/50
K0125.20601X	2	M6	13,5	17,5	19	28,5	6,5	12,5	41,2	45,2	64,9	74,4	17,6	20	15/20/25/30/35/40/45/50/55/60
K0125.20801X	2	M8	13,5	17,5	19	28,5	6,5	12,5	41,2	45,2	64,9	74,4	17,6	20	15/20/25/30/35/40/45/50/55/60
K0125.21001X	2	M10	13,5	17,5	19	28,5	6,5	12,5	41,2	45,2	64,9	74,4	17,6	20	15/20/25/30/35/40/45/50/55/60
K0125.30801X	3	M8	16	21	22	37	10	17	51,6	56,1	80,2	91,2	20,7	22	15/20/25/30/35/40/45/50/55/60
K0125.31001X	3	M10	16	21	22	37	10	17	51,6	56,1	80,2	91,2	20,7	22	15/20/25/30/35/40/45/50/55/60

Adjustable Handles 2K "Cockatoo"

two-component with internal thread, steel parts in stainless steel



INCH Parts METRIC Parts



Material:

Handle:
Hard component in glass-fibre-reinforced plastic with die cast zinc toothed ring.
Soft component: Thermoflex based on SEBS.
Steel parts:
Stainless steel, 1.4305.

Type:

Steel parts natural finish.

Part Number Example:

K0126.1A001

Note:

The hard and soft components are supplied in black gray RAL 7021 as standard.

On request:

Other internal threads, color combinations and special versions.
Dimension "H1" can be produced in other lengths at an additional charge.

KIPP Adjustable Handles 2K with internal thread, steel parts in stainless steel, inch

Item No.	Size	X	T	D	D1	D2	H	H1	H2	H3	H4	A	A1	B	No. of teeth
K0126.1A001	1	10-24	9	10	15	16	24.5	4	10	30	33.5	40.1	48.1	10.1	16
K0126.1A101	1	10-32	9	10	15	16	24.5	4	10	30	33.5	40.1	48.1	10.1	16
K0126.1A201	1	1/4-20	9	10	15	16	24.5	4	10	30	33.5	40.1	48.1	10.1	16
K0126.2A201	2	1/4-20	12	13.5	17.5	19	28.5	6.5	12.5	41.2	45.2	64.9	74.4	17.6	20
K0126.2A301	2	5/16-18	12	13.5	17.5	19	28.5	6.5	12.5	41.2	45.2	64.9	74.4	17.6	20
K0126.3A301	3	5/16-18	14	16	21	22	37	10	17	51.6	56.1	80.2	91.2	20.7	22
K0126.3A401	3	3/8-16	14	16	21	22	37	10	17	51.6	56.1	80.2	91.2	20.7	22

KIPP Adjustable Handles 2K with internal thread, steel parts in stainless steel, metric

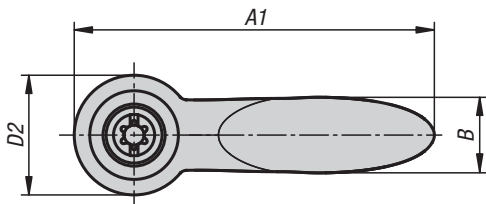
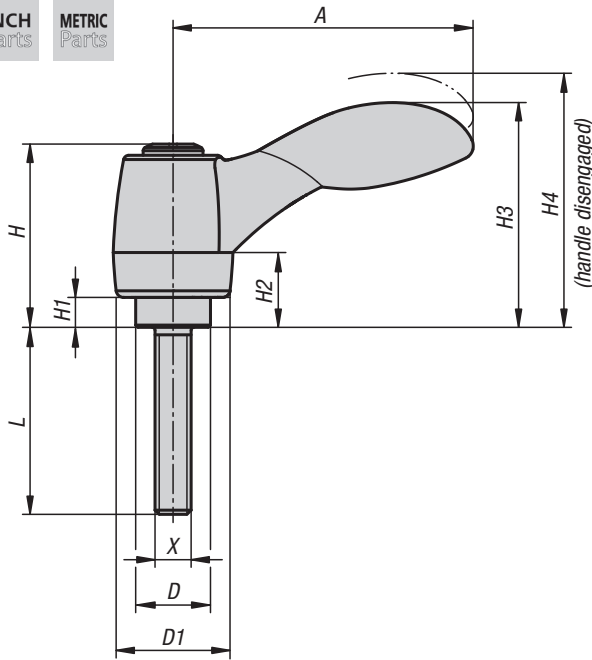
Item No.	Size	X	T	D	D1	D2	H	H1	H2	H3	H4	A	A1	B	No. of teeth
K0126.10401	1	M4	9	10	15	16	24,5	4	10	30	33,5	40,1	48,1	10,1	16
K0126.10501	1	M5	9	10	15	16	24,5	4	10	30	33,5	40,1	48,1	10,1	16
K0126.10601	1	M6	9	10	15	16	24,5	4	10	30	33,5	40,1	48,1	10,1	16
K0126.20601	2	M6	12	13,5	17,5	19	28,5	6,5	12,5	41,2	45,2	64,9	74,4	17,6	20
K0126.20801	2	M8	12	13,5	17,5	19	28,5	6,5	12,5	41,2	45,2	64,9	74,4	17,6	20
K0126.30801	3	M8	14	16	21	22	37	10	17	51,6	56,1	80,2	91,2	20,7	22
K0126.31001	3	M10	14	16	21	22	37	10	17	51,6	56,1	80,2	91,2	20,7	22

Adjustable Handles 2K "Cockatoo"

two-component with external thread, steel parts in stainless steel



INCH Parts
METRIC Parts



Material:

Handle:

Hard component in glass-fibre-reinforced plastic with die cast zinc toothed ring.

Soft component: Thermoflex based on SEBS.

Steel parts:

Stainless steel 1.4305

Type:

Steel parts natural finish.

Part Number Example:

K0126.1A001X10

(include length L)

Note:

The hard and soft components are supplied in black gray RAL 7021 as standard.

On request:

Other external threads, screw lengths, color combinations and special versions.

Dimension "H1" can be produced in other lengths at an additional charge.

KIPP Adjustable Handles 2K with external thread, steel parts in stainless steel, inch

Item No.	Size	X	D	D1	D2	H	H1	H2	H3	H4	A	A1	B	No. of teeth	L
K0126.1A001X	1	10-24	10	15	16	24.5	4	10	30	33.5	40.1	48.1	10.1	16	10/15/20/25
K0126.1A101X	1	10-32	10	15	16	24.5	4	10	30	33.5	40.1	48.1	10.1	16	10/15/20/25
K0126.1A201X	1	1/4-20	10	15	16	24.5	4	10	30	33.5	40.1	48.1	10.1	16	10/15/20/25/30/40/50
K0126.2A201X	2	1/4-20	13.5	17.5	19	28.5	6.5	12.5	41.2	45.2	64.9	74.4	17.6	20	15/20/25/30/40/50/60
K0126.2A301X	2	5/16-18	13.5	17.5	19	28.5	6.5	12.5	41.2	45.2	64.9	74.4	17.6	20	15/20/25/30/40/50/60
K0126.2A401X	2	3/8-16	13.5	17.5	19	28.5	6.5	12.5	41.2	45.2	64.9	74.4	17.6	20	20/25/30/40/50/60
K0126.3A301X	3	5/16-18	16	21	22	37	10	17	51.6	56.1	80.2	91.2	20.7	22	20/25/30/40/50/60
K0126.3A401X	3	3/8-16	16	21	22	37	10	17	51.6	56.1	80.2	91.2	20.7	22	20/25/30/40/50/60

KIPP Adjustable Handles 2K with external thread, steel parts in stainless steel, metric

Item No.	Size	X	D	D1	D2	H	H1	H2	H3	H4	A	A1	B	No. of teeth	L
K0126.10501X	1	M5	10	15	16	24,5	4	10	30	33,5	40,1	48,1	10,1	16	10/15/20/25
K0126.10601X	1	M6	10	15	16	24,5	4	10	30	33,5	40,1	48,1	10,1	16	10/15/20/25/30/40/50
K0126.20601X	2	M6	13,5	17,5	19	28,5	6,5	12,5	41,2	45,2	64,9	74,4	17,6	20	15/20/25/30/40/50/60
K0126.20801X	2	M8	13,5	17,5	19	28,5	6,5	12,5	41,2	45,2	64,9	74,4	17,6	20	15/20/25/30/40/50/60
K0126.21001X	2	M10	13,5	17,5	19	28,5	6,5	12,5	41,2	45,2	64,9	74,4	17,6	20	20/25/30/40/50/60
K0126.30801X	3	M8	16	21	22	37	10	17	51,6	56,1	80,2	91,2	20,7	22	20/25/30/40/50/60
K0126.31001X	3	M10	16	21	22	37	10	17	51,6	56,1	80,2	91,2	20,7	22	20/25/30/40/50/60

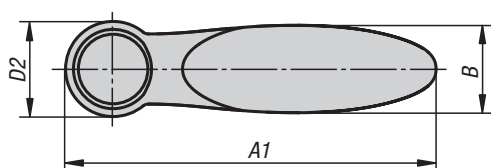
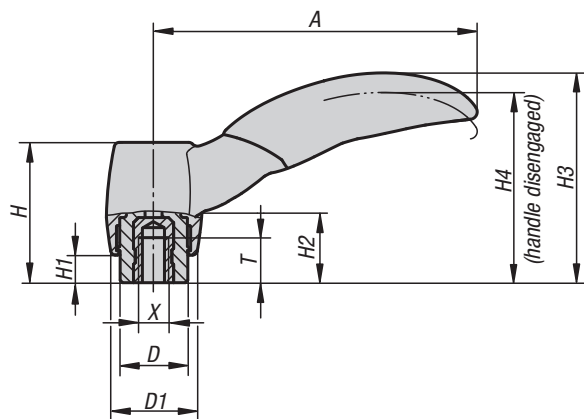
Adjustable Handles "TOUCAN"

internal thread



INCH Parts METRIC Parts

New Item



Press to disengage



Material:

Handle and insert reinforced plastic.

For size 1 and 2, brass bush.
For size 3, steel bush.

Type:

Steel blue chromate.

Part Number Example:

K0252.1AE1

Note:

Standard color is black gray RAL 7021.

On request:

Other internal threads, colors and special versions at an additional charge.

KIPP Adjustable Handles "TOUCAN" internal thread, inch

Item No.	Size	X	T	D	D1	D2	H	H1	H2	H3	H4	A	A1	B	No. of teeth
K0252.1AE1	1	8-32	6	10	12.6	14.1	21.7	5	11.3	32	29.1	47.9	55	13	12
K0252.1A11	1	10-32	6	10	12.6	14.1	21.7	5	11.3	32	29.1	47.9	55	13	12
K0252.2A11	2	10-32	7.5	13.5	17	19	28	5.5	14	41.9	38	64.5	74	17.5	12
K0252.2A21	2	1/4-20	9	13.5	17	19	28	5.5	14	41.9	38	64.5	74	17.5	12
K0252.2A31	2	5/16-18	9	13.5	17	19	28	5.5	14	41.9	38	64.5	74	17.5	12
K0252.3A31	3	5/16-18	14.5	17	20.4	23.9	40.7	10	23.1	58.1	53.3	81.1	93	22	12
K0252.3A41	3	3/8-16	14.5	17	20.4	23.9	40.7	10	23.1	58.1	53.3	81.1	93	22	12

KIPP Adjustable Handles "TOUCAN" internal thread, metric

Item No.	Size	X	T	D	D1	D2	H	H1	H2	H3	H4	A	A1	B	No. of teeth
K0252.1041	1	M4	6	10	12,6	14,1	21,7	5	11,3	32	29,1	47,9	55	13	12
K0252.1051	1	M5	6	10	12,6	14,1	21,7	5	11,3	32	29,1	47,9	55	13	12
K0252.2051	2	M5	7,5	13,5	17	19	28	5,5	14	41,9	38	64,5	74	17,5	12
K0252.2061	2	M6	9	13,5	17	19	28	5,5	14	41,9	38	64,5	74	17,5	12
K0252.2081	2	M8	9	13,5	17	19	28	5,5	14	41,9	38	64,5	74	17,5	12
K0252.3081	3	M8	14,5	17	20,4	23,9	40,7	10	23,1	58,1	53,3	81,1	93	22	12
K0252.3101	3	M10	14,5	17	20,4	23,9	40,7	10	23,1	58,1	53,3	81,1	93	22	12

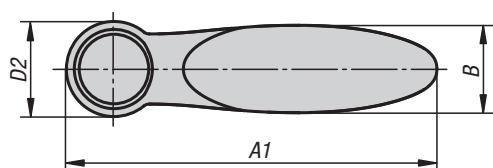
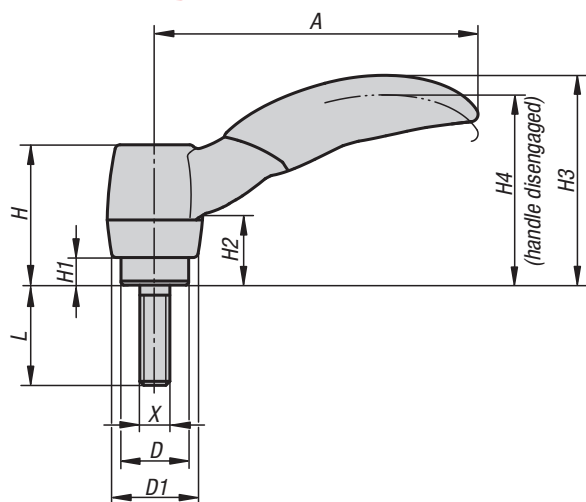
Adjustable Handles "TOUCAN"

external thread



INCH Parts METRIC Parts

New Item



Material:

Handle and insert reinforced plastic.
Steel parts quality class 5.8.

Type:

Steel blue chromate.

Part Number Example:

K0252.1041X10
(include length L)

Note:

Standard color is black
gray RAL 7021.

On request:

Other external threads, colors and
special versions at an additional charge.

KIPP Adjustable Handles "TOUCAN" external thread, inch

Item No.	Size	X	D	D1	D2	H	H1	H2	H3	H4	A	A1	B	No. of teeth	L
K0252.1AE1X	1	8-32	10	12.6	14.1	21.7	5	11.3	32	29.1	47.9	55	13	12	10/20
K0252.1A11X	1	10-32	10	12.6	14.1	21.7	5	11.3	32	29.1	47.9	55	13	12	10/20
K0252.2A11X	2	10-32	13.5	17	19	28	5.5	14	41.9	38	64.5	74	17.5	12	20/30/40
K0252.2A21X	2	1/4-20	13.5	17	19	28	5.5	14	41.9	38	64.5	74	17.5	12	20/30/40
K0252.2A31X	2	5/16-18	13.5	17	19	28	5.5	14	41.9	38	64.5	74	17.5	12	20/30/40
K0252.3A31X	3	5/16-18	17	20.4	23.9	40.7	10	23.1	58.1	53.3	81.1	93	22	12	20/40/60
K0252.3A41X	3	3/8-16	17	20.4	23.9	40.7	10	23.1	58.1	53.3	81.1	93	22	12	20/40/60

KIPP Adjustable Handles "TOUCAN" external thread, metric

Item No.	Size	X	D	D1	D2	H	H1	H2	H3	H4	A	A1	B	No. of teeth	L
K0252.1041X	1	M4	10	12,6	14,1	21,7	5	11,3	32	29,1	47,9	55	13	12	10/15/20
K0252.1051X	1	M5	10	12,6	14,1	21,7	5	11,3	32	29,1	47,9	55	13	12	10/15/20/25
K0252.2051X	2	M5	13,5	17	19	28	5,5	14	41,9	38	64,5	74	17,5	12	10/15/20/25/30/40
K0252.2061X	2	M6	13,5	17	19	28	5,5	14	41,9	38	64,5	74	17,5	12	10/15/20/25/30/40
K0252.2081X	2	M8	13,5	17	19	28	5,5	14	41,9	38	64,5	74	17,5	12	10/15/20/25/30/40
K0252.3081X	3	M8	17	20,4	23,9	40,7	10	23,1	58,1	53,3	81,1	93	22	12	20/25/30/40/50/60
K0252.3101X	3	M10	17	20,4	23,9	40,7	10	23,1	58,1	53,3	81,1	93	22	12	20/25/30/40/50/60

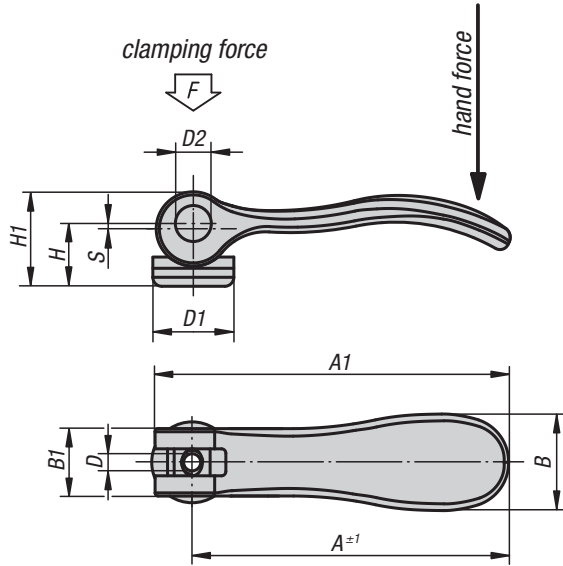
Cam Levers

with internal and external thread

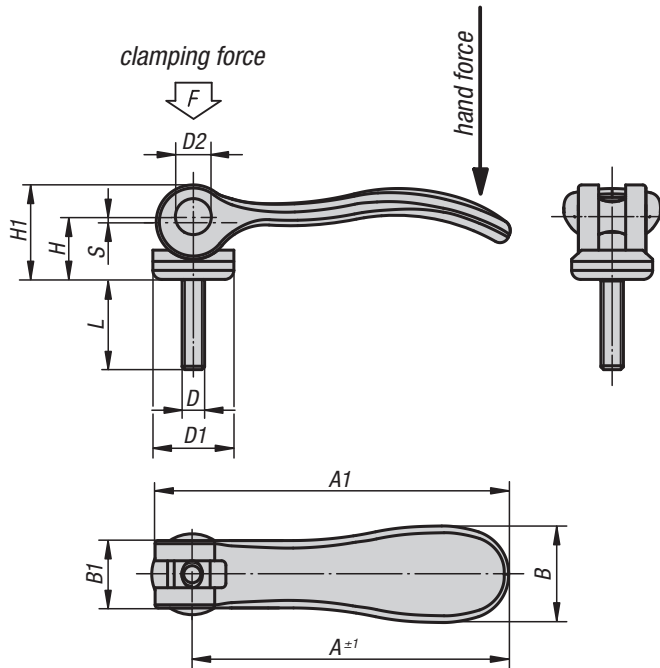
INCH Parts METRIC Parts



Cam Lever with internal thread



Cam Lever with external thread



Material:

Handles cast aluminum EN AC-46200.
 Thrust washer plastic PA 66 GF 35-X fibreglass reinforced.
 Hinge pin stainless steel 1.4305.
 Studs and washer steel quality class 5.8 or stainless steel 1.4305.

Type:

Handle black powder-coated;
 thrust washer black;
 hinge pin natural finish;
 threaded stud and washer in steel blue chromate or stainless steel natural finish

Part Number Example:

K0005.95011ADX10
 (include length L)

Note:

Plastic materials are subject to creep under compression (Retardation).

Cam Levers

with internal and external thread

KIPP Cam Levers, internal thread, inch

Item No. steel	Item No. stainless steel	D	D1	D2	B	B1	H	H1	A	A1	Stroke S	Clamping force F (kN)	Hand force N
K0005.95011AD	K0005.95111AD	6-32	12	6	14.4	11.5	9	13	36.2	41.7	1	1.5	90
K0005.95011AE	K0005.95111AE	8-32	12	6	14.4	11.5	9	13	36.2	41.7	1	1.5	90
K0005.05011AE	K0005.05111AE	8-32	15.4	8	18	13	11.2	17	52.3	59.1	1	2.5	100
K0005.05011A0	K0005.05111A0	10-24	15.4	8	18	13	11.2	17	52.3	59.1	1	2.5	100
K0005.05011A1	K0005.05111A1	10-32	15.4	8	18	13	11.2	17	52.3	59.1	1	2.5	100
K0005.15011A1	K0005.15111A1	10-32	18.1	9	21.5	15	14.5	22	70.4	79.2	1.2	4	120
K0005.15011A2	K0005.15111A2	1/4-20	18.1	9	21.5	15	14.5	22	70.4	79.2	1.2	4	120
K0005.25011A3	K0005.25111A3	5/16-18	27.1	11	33.3	24	18	28.5	96	108	1.5	8	350

KIPP Cam Levers, external thread, inch

Item No. Stahl	Item No. Edelstahl	D	D1	D2	B	B1	H	H1	A	A1	Stroke S	L	Clamping force F (kN)	Hand force N
K0005.95011ADX	K0005.95111ADX	6-32	12	6	14.4	11.5	9	13	36.2	41.7	1	10/15/30	1.5	90
K0005.95011AEX	K0005.95111AEX	8-32	12	6	14.4	11.5	9	13	36.2	41.7	1	10/15/30	1.5	90
K0005.05011AEX	K0005.05111AEX	8-32	15.4	8	18	13	11.2	17	52.3	59.1	1	15/20/30	2.5	100
K0005.05011A0X	K0005.05111A0X	10-24	15.4	8	18	13	11.2	17	52.3	59.1	1	20/30/40/50	2.5	100
K0005.05011A1X	K0005.05111A1X	10-32	15.4	8	18	13	11.2	17	52.3	59.1	1	20/30/40/50	2.5	100
K0005.15011A1X	K0005.15111A1X	10-32	18.1	9	21.5	15	14.5	22	70.4	79.2	1.2	20/30/40/50	4	120
K0005.15011A2X	K0005.15111A2X	1/4-20	18.1	9	21.5	15	14.5	22	70.4	79.2	1.2	20/30/40/50	4	120
K0005.25011A3X	K0005.25111A3X	5/16-18	27.1	11	33.3	24	18	28.5	96	108	1.5	25/30/40/50	8	350
K0005.25011A4X	K0005.25111A4X	3/8-16	27.1	11	33.3	24	18	28.5	96	108	1.5	25/30/40/50	8	350

KIPP Cam Levers, internal thread, metric

Item No. steel	Item No. stainless steel	D	D1	D2	B	B1	H	H1	A	A1	Stroke S	Clamping force F (kN)	Hand force N
K0005.9501103	K0005.9511103	M3	12	6	14,4	11,5	9	13	36,2	41,7	1	1,5	90
K0005.9501104	K0005.9511104	M4	12	6	14,4	11,5	9	13	36,2	41,7	1	1,5	90
K0005.0501104	K0005.0511104	M4	15,4	8	18	13	11,2	17	52,3	59,1	1	2,5	100
K0005.0501105	K0005.0511105	M5	15,4	8	18	13	11,2	17	52,3	59,1	1	2,5	100
K0005.1501105	K0005.1511105	M5	18,1	9	21,5	15	14,5	22	70,4	79,2	1,2	4	120
K0005.1501106	K0005.1511106	M6	18,1	9	21,5	15	14,5	22	70,4	79,2	1,2	4	120
K0005.2501108	K0005.2511108	M8	27,1	11	33,3	24	18	28,5	96	108	1,5	8	350

KIPP Cam Levers, external thread, metric

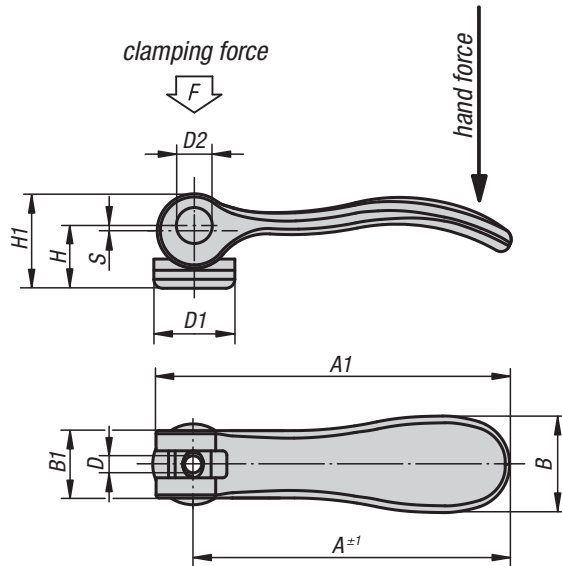
Item No. steel	Item No. stainless steel	D	D1	D2	B	B1	H	H1	A	A1	Stroke S	L	Clamping force F (kN)	Hand force N
K0005.9501103X	K0005.9511103X	M3	12	6	14,4	11,5	9	13	36,2	41,7	1	10/15/30	1,5	90
K0005.9501104X	K0005.9511104X	M4	12	6	14,4	11,5	9	13	36,2	41,7	1	10/15/30	1,5	90
K0005.0501104X	K0005.0511104X	M4	15,4	8	18	13	11,2	17	52,3	59,1	1	15/20/30	2,5	100
K0005.0501105X	K0005.0511105X	M5	15,4	8	18	13	11,2	17	52,3	59,1	1	20/30/40/50	2,5	100
K0005.1501105X	K0005.1511105X	M5	18,1	9	21,5	15	14,5	22	70,4	79,2	1,2	20/30/40/50	4	120
K0005.1501106X	K0005.1511106X	M6	18,1	9	21,5	15	14,5	22	70,4	79,2	1,2	20/30/40/50	4	120
K0005.2501108X	K0005.2511108X	M8	27,1	11	33,3	24	18	28,5	96	108	1,5	25/30/40/50	8	350
K0005.2501110X	K0005.2511110X	M10	27,1	11	33,3	24	18	28,5	96	108	1,5	25/30/40/50	8	350

Cam Levers in stainless steel

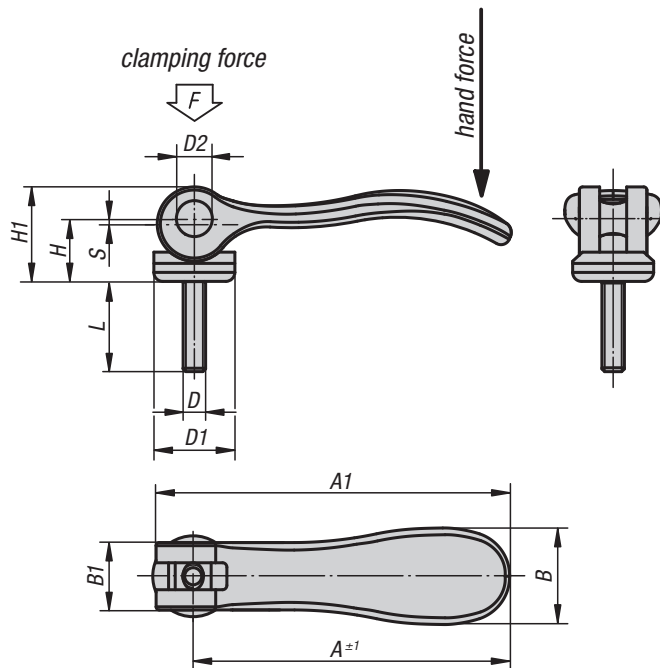
with internal and external thread



Cam Lever
with internal thread



Cam Lever
with external thread



Material:

Handle 1.4308;
thrust washer in glass-fibre reinforced plastic PA 66 GF 35-X;
hinge pin, threaded stud and washer 1.4305

Type:

Handle electrolytic polished;
thrust washer black;
hinge pin, threaded stud and washer natural finish

Part Number Example:

K0645.15120A1X20
(include length L)

Note:

Plastic materials are subject to creep under compression (Retardation).

Cam Levers in stainless steel

with internal and external thread



KIPP Cam Levers in stainless steel with internal thread, inch

Item No.	D	D1	D2	B	B1	H	H1	A	A1	Stroke S	Clamping force F (kN)	Hand force N
K0645.15120A1	10-32	18.1	9	21.5	15	14.5	22	70.4	79.2	1.2	4	120
K0645.15120A2	1/4-20	18.1	9	21.5	15	14.5	22	70.4	79.2	1.2	4	120
K0645.25120A3	5/16-18	27.1	11	33.3	24	18	28.5	96	108	1.5	8	350

KIPP Cam Levers in stainless steel with external thread, inch

Item No.	D	D1	D2	B	B1	H	H1	A	A1	Stroke S	L	Clamping force F (kN)	Hand force N
K0645.15120A1X	10-32	18.1	9	21.5	15	14.5	22	70.4	79.2	1.2	20/30/40/50	4	120
K0645.15120A2X	1/4-20	18.1	9	21.5	15	14.5	22	70.4	79.2	1.2	20/30/40/50	4	120
K0645.25120A3X	5/16-18	27.1	11	33.3	24	18	28.5	96	108	1.5	25/30/40/50	8	350
K0645.25120A4X	3/8-16	27.1	11	33.3	24	18	28.5	96	108	1.5	25/30/40/50	8	350

KIPP Cam Levers in stainless steel with internal thread, metric

Item No.	D	D1	D2	B	B1	H	H1	A	A1	Stroke S	Clamping force F (kN)	Hand force N
K0645.1512005	M5	18,1	9	21,5	15	14,5	22	70,4	79,2	1,2	4	120
K0645.1512006	M6	18,1	9	21,5	15	14,5	22	70,4	79,2	1,2	4	120
K0645.2512008	M8	27,1	11	33,3	24	18	28,5	96	108	1,5	8	350

KIPP Cam Levers in stainless steel with external thread, metric

Item No.	D	D1	D2	B	B1	H	H1	A	A1	Stroke S	L	Clamping force F (kN)	Hand force N
K0645.1512005X	M5	18,1	9	21,5	15	14,5	22	70,4	79,5	1,2	20/30/40/50	4	120
K0645.1512006X	M6	18,1	9	21,5	15	14,5	22	70,4	79,5	1,2	20/30/40/50	4	120
K0645.2512008X	M8	27,1	11	33,3	24	18	28,5	96	108	1,5	25/30/40/50	8	350
K0645.2512010X	M10	27,1	11	33,3	24	18	28,5	96	108	1,5	25/30/40/50	8	350

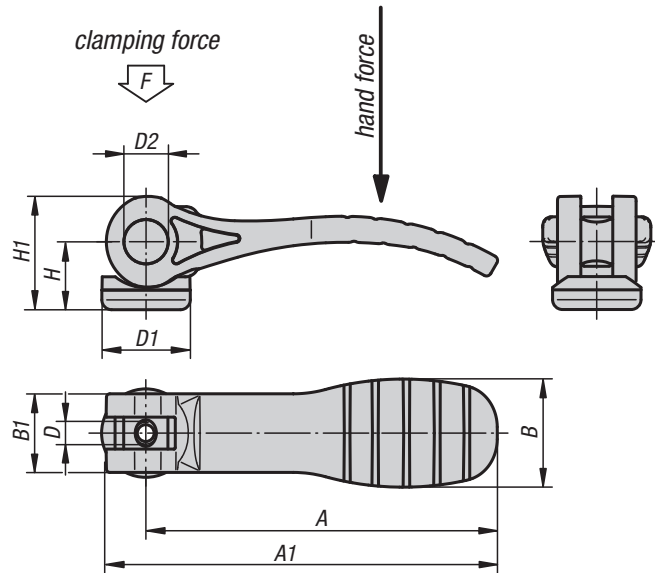
Cam Levers with plastic handle

with internal and external thread, steel or stainless steel

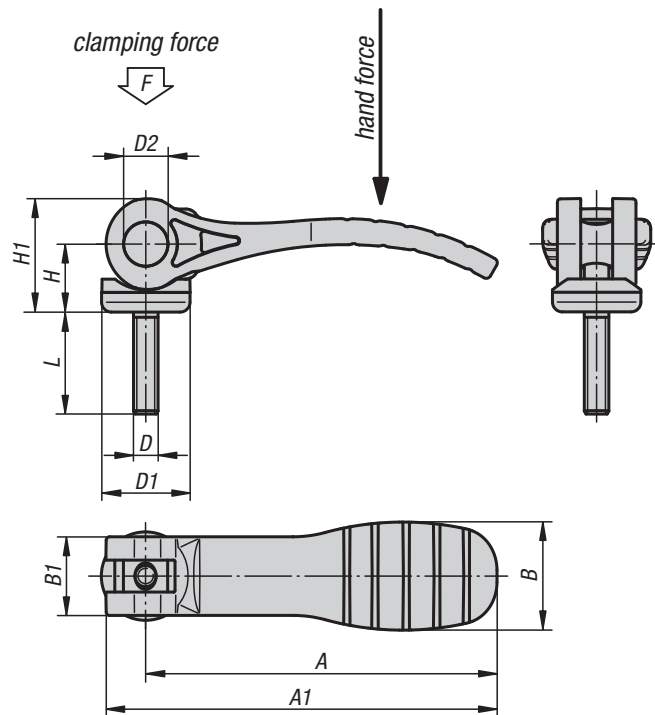


INCH Parts METRIC Parts

Cam Lever with internal thread



Cam Lever with external thread



Material:

Handles and thrust washer plastic PA 66 fibreglass reinforced.
Hinge pins stainless steel 1.4305.
Studs and washer steel quality class 5.8 or stainless steel 1.4305.

Type:

Handle and thrust washer black;
hinge pin natural finish;
threaded stud and washer in steel blue chromate or stainless steel natural finish

Part Number Example:

K0646.15211A1X20
(include length L)

Note:

Plastics are subject to creeping under load (retardation), this can cause reduced clamping force.

Cam Levers with plastic handle

with internal and external thread, steel or stainless steel

KIPP Cam Levers with plastic handle and internal thread, inch

Item No. steel	Item No. stainless steel	D	D1	D2	B	B1	H	H1	A	A1	Stroke	Clamping force F (kN)	Hand force N
K0646.15211A1	K0646.15311A1	10-32	18.1	9	22	16	14	23.4	71.5	79.6	1.15	2.5	125
K0646.15211A2	K0646.15311A2	1/4-20	18.1	9	22	16	14	23.4	71.5	79.6	1.15	2.5	125
K0646.25211A3	K0646.25311A3	5/16-18	27.1	11	33	24.2	16.2	27.7	100	110	1.5	5	170

KIPP Cam Levers with plastic handle and external thread, inch

Item No. steel	Item No. stainless steel	D	D1	D2	B	B1	H	H1	A	A1	Stroke	L	Clamping force F (kN)	Hand force N
K0646.15211A1X	K0646.15311A1X	10-32	18.1	9	22	16	14	23.4	71.5	79.6	1.15	20/30/40/50	2.5	125
K0646.15211A2X	K0646.15311A2X	1/4-20	18.1	9	22	16	14	23.4	71.5	79.6	1.15	20/30/40/50	2.5	125
K0646.25211A3X	K0646.25311A3X	5/16-18	27.1	11	33	24.2	16.2	27.7	100	110	1.5	25/30/40/50	5	170
K0646.25211A4X	K0646.25311A4X	3/8-16	27.1	11	33	24.2	16.2	27.7	100	110	1.5	25/30/40/50	5	170

KIPP Cam Levers with plastic handle and internal thread, metric

Item No. steel	Item No. stainless steel	D	D1	D2	B	B1	H	H1	A	A1	Stroke	Clamping force F (kN)	Hand force N
K0646.1521105	K0646.1531105	M5	18,1	9	22	16	14	23,4	71,5	79,6	1,15	2,5	125
K0646.1521106	K0646.1531106	M6	18,1	9	22	16	14	23,4	71,5	79,6	1,15	2,5	125
K0646.2521108	K0646.2531108	M8	27,1	11	33	24,2	16,2	27,7	100	110	1,5	5	170

KIPP Cam Levers with plastic handle and external thread, metric

Item No. steel	Item No. stainless steel	D	D1	D2	B	B1	H	H1	A	A1	Stroke	L	Clamping force F (kN)	Hand force N
K0646.1521105X	K0646.1531105X	M5	18,1	9	22	16	14	23,4	71,5	79,6	1,15	20/30/40/50	2,5	125
K0646.1521106X	K0646.1531106X	M6	18,1	9	22	16	14	23,4	71,5	79,6	1,15	20/30/40/50	2,5	125
K0646.2521108X	K0646.2531108X	M8	27,1	11	33	24,2	16,2	27,7	100	110	1,5	25/30/40/50	5	170
K0646.2521110X	K0646.2531110X	M10	27,1	11	33	24,2	16,2	27,7	100	110	1,5	25/30/40/50	5	170

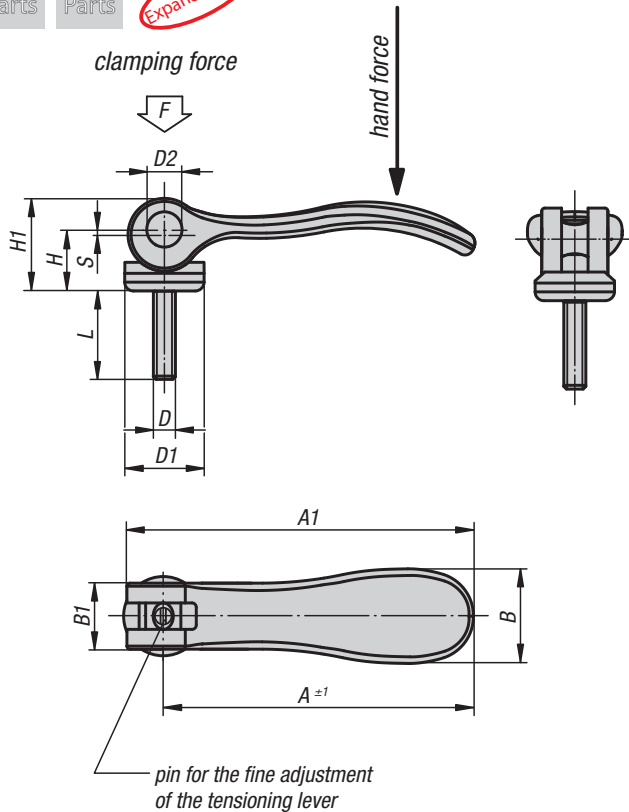
Adjustable Cam Levers

with external thread, steel or stainless steel

INCH
Parts

METRIC
Parts

Expanded Line



Material:

Handles cast aluminium EN AC-46200;
thrust washer plastic PA 66 GF 35-X fibreglass reinforced;
hinge pins stainless steel 1.4305;
studs and washer steel quality class 5.8 or stainless steel 1.4305

Type:

Handles powder-coated black;
thrust washer black;
hinge pins natural finish;
studs and washer steel blue chromate
or stainless steel natural finish

Part Number Example:

K0006.95011ADX
(include length L)

Note:

Adjustable Cam Levers are unique from the original Cam Lever Series in that Adjustable Cam Levers have a screwdriver slot located at the top end of the stud to allow for fine adjustment when clamping space is limited. Plastic materials are subject to creep under compression (Retardation).

KIPP Adjustable Cam Levers with external thread, inch

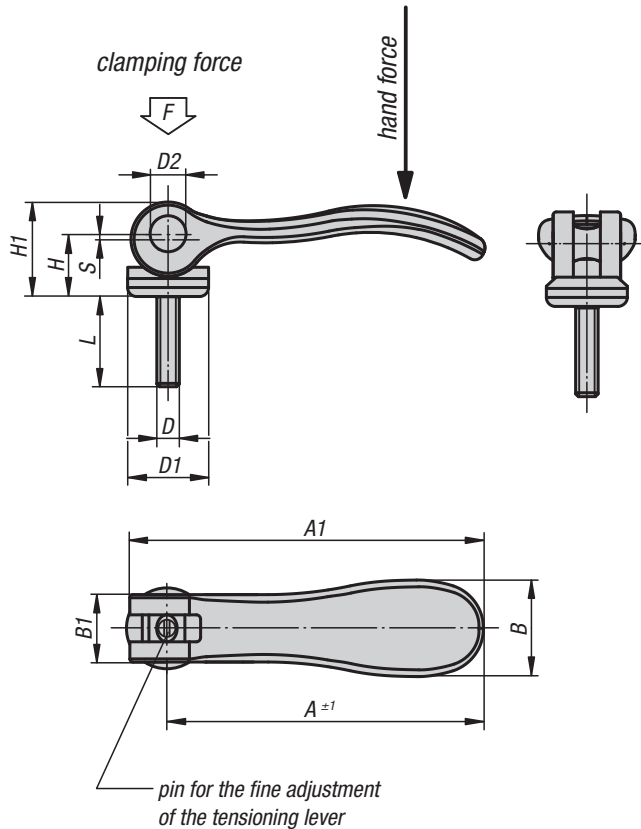
Item No. steel	Item No. stainless steel	D	D1	D2	B	B1	H	H1	A	A1	Stroke S	L	Clamping force F (kN)	Hand force N
K0006.95011ADX	K0006.95111ADX	6-32	12	6	14.4	11.5	9	13	36.2	41.7	1	10/15/30	1.5	90
K0006.95011AEX	K0006.95111AEX	8-32	12	6	14.4	11.5	9	13	36.2	41.7	1	10/15/30	1.5	90
K0006.05011AEX	K0006.05111AEX	8-32	15.4	8	18	13	11.2	17	52.3	59.1	1	15/20/30	2.5	100
K0006.05011A0X	K0006.05111A0X	10-24	15.4	8	18	13	11.2	17	52.3	59.1	1	20/30/40/50	2.5	100
K0006.05011A1X	K0006.05111A1X	10-32	15.4	8	18	13	11.2	17	52.3	59.1	1	20/30/40/50	2.5	100
K0006.15011A1X	K0006.15111A1X	10-32	18.1	9	21.5	15	14.5	22	70.4	79.2	1.2	20/30/40/50	4	120
K0006.15011A2X	K0006.15111A2X	1/4-20	18.1	9	21.5	15	14.5	22	70.4	79.2	1.2	20/30/40/50	4	120
K0006.25011A3X	K0006.25111A3X	5/16-18	27.1	11	33.3	24	18	28.5	96	108	1.5	25/30/40/50	8	350
K0006.25011A4X	K0006.25111A4X	3/8-16	27.1	11	33.3	24	18	28.5	96	108	1.5	25/30/40/50	8	350

KIPP Adjustable Cam Levers with external thread, metric

Item No. steel	Item No. stainless steel	D	D1	D2	B	B1	H	H1	A	A1	Stroke S	L	Clamping force F (kN)	Hand force N
K0006.9501103X	K0006.9511103X	M3	12	6	14,4	11,5	9	13	36,2	41,7	1	10/15/30	1,5	90
K0006.9501104X	K0006.9511104X	M4	12	6	14,4	11,5	9	13	36,2	41,7	1	10/15/30	1,5	90
K0006.0501104X	K0006.0511104X	M4	15,4	8	18	13	11,2	17	52,3	59,1	1	15/20/30	2,5	100
K0006.0501105X	K0006.0511105X	M5	15,4	8	18	13	11,2	17	52,3	59,1	1	20/30/40/50	2,5	100
K0006.1501105X	K0006.1511105X	M5	18,1	9	21,5	15	14,5	22	70,4	79,2	1,2	20/30/40/50	4	120
K0006.1501106X	K0006.1511106X	M6	18,1	9	21,5	15	14,5	22	70,4	79,2	1,2	20/30/40/50	4	120
K0006.2501108X	K0006.2511108X	M8	27,1	11	33,3	24	18	28,5	96	108	1,5	25/30/40/50	8	350
K0006.2501110X	K0006.2511110X	M10	27,1	11	33,3	24	18	28,5	96	108	1,5	25/30/40/50	8	350

Adjustable Cam Levers in stainless steel

with external thread



Material:

Handle 1.4308;
thrust washer in glass-fibre reinforced plastic PA 66 GF 35-X;
hinge pin, threaded stud and washer 1.4305

Type:

Handle electrolytic polished;
thrust washer black;
hinge pin, threaded stud and washer natural finish

Part Number Example:

K0647.15120A1X20
(include length L)

Note:

Adjustable Cam Levers are unique from the original Cam Lever Series in that Adjustable Cam Levers have a screwdriver slot located at the top end of the stud to allow for fine adjustment when clamping space is limited. Plastic materials are subject to creep under compression (Retardation).

KIPP Adjustable Cam Levers with external thread, all stainless steel, inch

Item No.	D	D1	D2	B	B1	H	H1	A	A1	Stroke S	L	Clamping force F (kN)	Hand force N
K0647.15120A1X	10-32	18.1	9	21.5	15	14.5	22	70.4	79.2	1.2	20/30/40/50	4	120
K0647.15120A2X	1/4-20	18.1	9	21.5	15	14.5	22	70.4	79.2	1.2	20/30/40/50	4	120
K0647.25120A3X	5/16-18	27.1	11	33.3	24	18	28.5	96	108	1.5	25/30/40/50	8	350
K0647.25120A4X	3/8-16	27.1	11	33.3	24	18	28.5	96	108	1.5	25/30/40/40	8	350

KIPP Adjustable Cam Levers with external thread, all stainless steel, metric

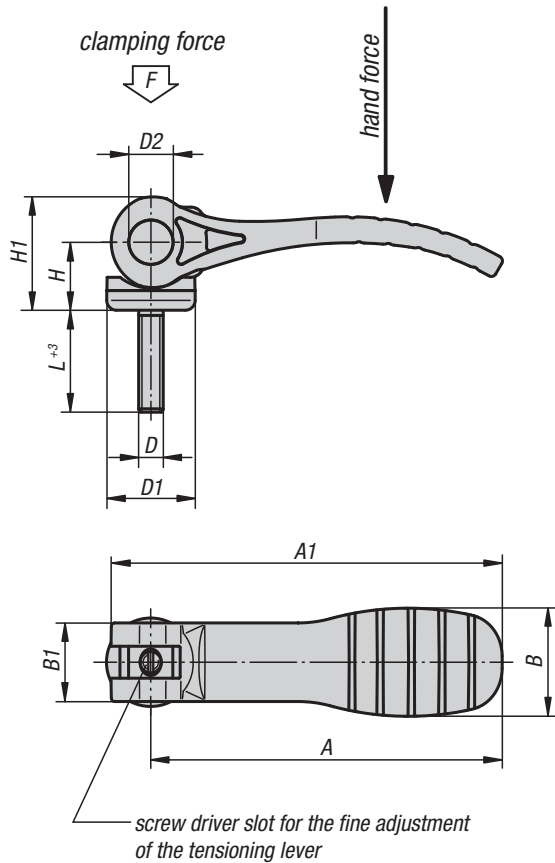
Item No.	D	D1	D2	B	B1	H	H1	A	A1	Stroke S	L	Clamping force F (kN)	Hand force N
K0647.1512005X	M5	18,1	9	21,5	15	14,5	22	70,4	79,2	1,2	20/30/40/50	4	120
K0647.1512006X	M6	18,1	9	21,5	15	14,5	22	70,4	79,2	1,2	20/30/40/50	4	120
K0647.2512008X	M8	27,1	11	33,3	24	18	28,5	96	108	1,5	25/30/40/50	8	350
K0647.2512010X	M10	27,1	11	33,3	24	18	28,5	96	108	1,5	25/30/40/40	8	350

Adjustable Cam Levers with plastic handle

with external thread, steel or stainless steel



INCH Parts METRIC Parts



Material:

Handles and thrust washer plastic PA 66 fiberglass reinforced;
hinge pins stainless steel 1.4305;
studs and washer steel quality class 5.8
or stainless steel 1.4305

Type:

Handle and thrust washer black;
hinge pin natural finish;
threaded stud and washer in steel blue chromate
or stainless steel natural finish

Part Number Example:

K0648.15211A1X20 (include length L)

Note:

Adjustable Cam Levers are unique from the original Cam Lever Series in that Adjustable Cam Levers have a screwdriver slot located at the top end of the stud to allow for fine adjustment when clamping space is limited.

Plastics are subject to creeping under compression (retardation), this can cause reduced clamping force.

KIPP Adjustable Cam Levers with plastic handle with external thread, inch

Item No. steel	Item No. stainless steel	D	D1	D2	B	B1	H	H1	A	A1	Stroke	L	Clamping force F (kN)	Hand force N
K0648.15211A1X	K0648.15311A1X	10-32	18.1	9	22	16	14	23.4	71.5	79.6	1.15	20/30/40/50	2.5	125
K0648.15211A2X	K0648.15311A2X	1/4-20	18.1	9	22	16	14	23.4	71.5	79.6	1.15	20/30/40/50	2.5	125
K0648.25211A3X	K0648.25311A3X	5/16-18	27.1	11	33	24.2	16.2	27.7	100	110	1.5	25/30/40/50	5	170
K0648.25211A4X	K0648.25311A4X	3/8-16	27.1	11	33	24.2	16.2	27.7	100	110	1.5	25/30/40/50	5	170

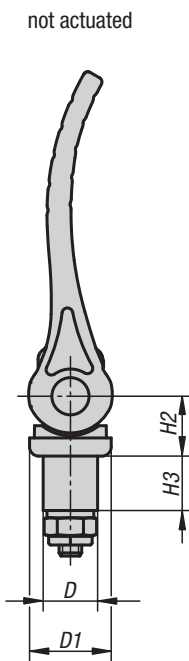
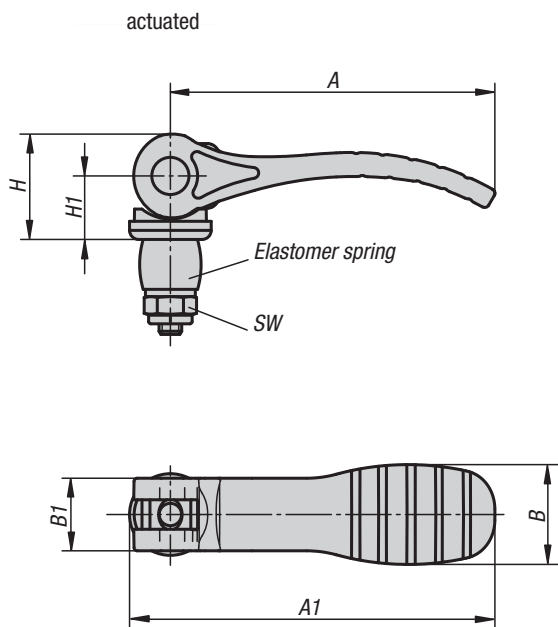
KIPP Adjustable Cam Levers with plastic handle with external thread, metric

Item No. steel	Item No. stainless steel	D	D1	D2	B	B1	H	H1	A	A1	Stroke	L	Clamping force F (kN)	Hand force N
K0648.1521105X	K0648.1531105X	M5	18,1	9	22	16	14	23,4	71,5	79,6	1,15	20/30/40/50	2,5	125
K0648.1521106X	K0648.1531106X	M6	18,1	9	22	16	14	23,4	71,5	79,6	1,15	20/30/40/50	2,5	125
K0648.2521108X	K0648.2531108X	M8	27,1	11	33	24	16,2	27,7	100	110	1,5	25/30/40/50	5	170
K0648.2521110X	K0648.2531110X	M10	27,1	11	33	24	16,2	27,7	100	110	1,5	25/30/40/50	5	170

Cam Levers expansion

METRIC
Parts

New Item



Material:

Handle and thrust washer fibreglass reinforced plastic PA 66;
hinge pin stainless steel 1.4305;
stud and washer steel quality class 5.8
PUR elastomer spring

Type:

Handles and thrust washer black;
hinge pins, natural finish;
studs and washer, blue chromate;
hexagon nut with clamping element and thrust washer, blue chromate.

Part Number Example:

K0118.121112X12

Note:

Actuating the handle causes the elastomer spring to expand and form to the surrounding surface. The amount of expansion of the elastomer spring and hence the clamping force can be adjusted using the nut with clamping element. Simultaneously, the clamping element nut ensures that the preset clamping force remains unchanged when the clamp is released.

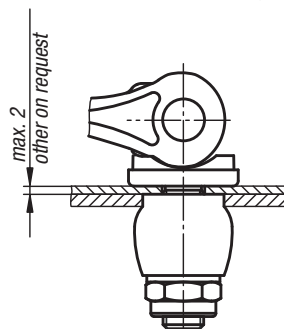
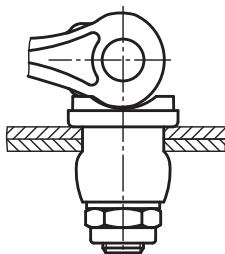
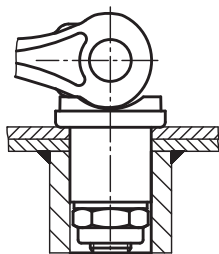
Application:

The specified holding forces are not suitable for constant loads.

Full clamping bore

Sheet metal clamping 1

Sheet metal clamping 2

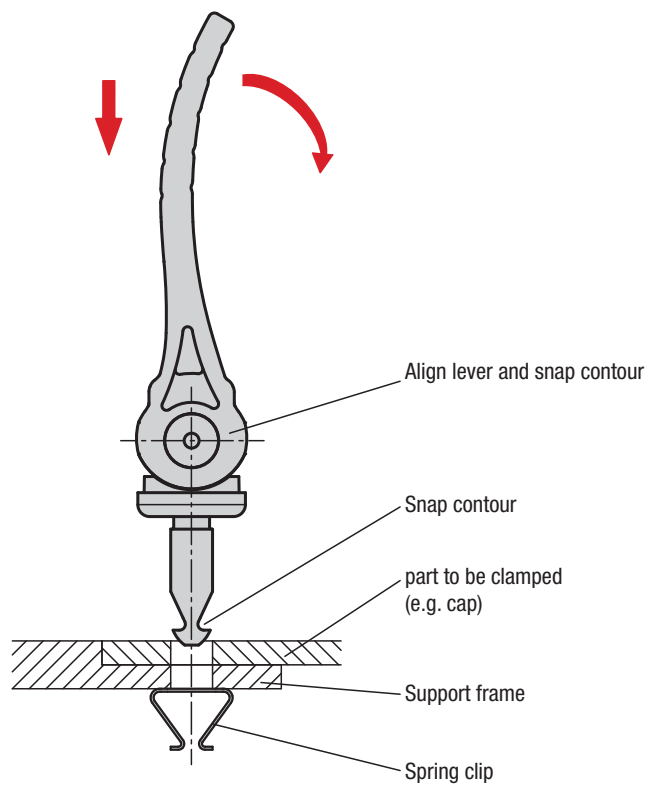


KIPP Cam Levers expansion, metric

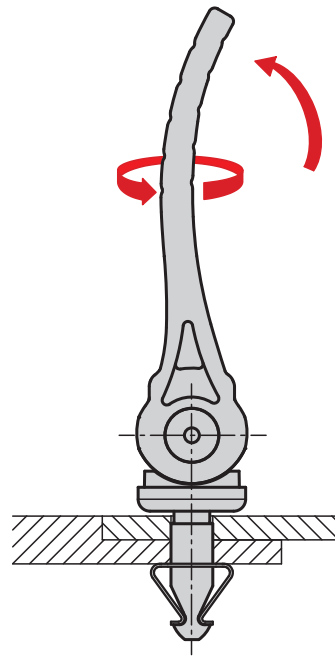
Item No.	Size	D	D1	B	B1	H	H1	H2	H3	A	A1	SW	Clamping force ca. N clamp bore (no permanent load)	Clamping force ca. N plate clamping (no permanent load)
K0118.121112X12	1	12	18	22	16	23,2	14	12,85	12	71,5	79,6	10	100	50
K0118.121114X12	1	14	18	22	16	23,2	14	12,85	12	71,5	79,6	10	150	60
K0118.221116X20	2	16	27	33	24	27,8	16,2	14,7	20	99,9	110	13	350	60
K0118.221118X20	2	18	27	33	24	27,8	16,2	14,7	20	99,9	110	13	350	100
K0118.221120X20	2	20	27	33	24	27,8	16,2	14,7	20	99,9	110	16	350	100

Installation instructions for Cam Levers with quick lock

Push to insert and swivel to clamp



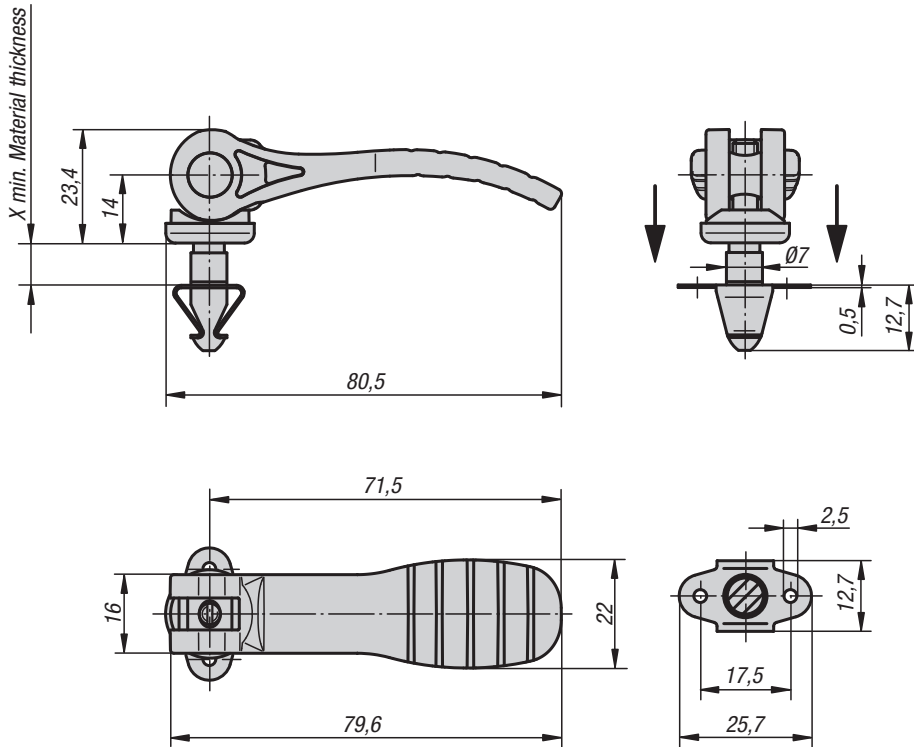
Swivel and twist to loosen



Cam Levers

with quick lock

METRIC
Parts



Material:

Handle and thrust washer glass-fibre reinforced plastic PA66;
hinge pin in stainless steel 1.4305;
locking pin in steel 1.0718;
spring clip in stainless steel 1.4310

Type:

Handle and thrust washer black;
hinge pin natural finish;
locking pin blue chromate;
spring clip passivated

Part Number Example:

K0751.121107X2

Note:

A sheet metal element can be positioned by engaging the spring clip. The sheet metal element is then clamped using the handle. Plastic materials are subject to creeping under compression (retardation).

KIPP Cam Levers with quick lock, metric

Item No.	X min. mat. thickness	Clamping force ca. N
K0751.121107X2	2	500
K0751.121107X4	4	500
K0751.121107X6	6	500
K0751.121107X8	8	500